

### Installation Instructions

BOSS Products limited consumer warranty and BOSS Products commercial warranty policies are located at [www.BOSSPlow.com](http://www.BOSSPlow.com).

**Note:** Installing this kit will change the weight and center of gravity of your vehicle. You may need to weigh the vehicle and add ballast or limit the payload of the vehicle to compensate.

Determine the left and right sides of the machine from the normal operating position.

## Preparing the Machine

1. Park the machine on a level surface, move the motion-control levers to the NEUTRAL position, disconnect the kill cord from the operator presence sensor to shut off the engine, wait for all moving parts to stop, remove the key, and chock the front tires.
2. Disconnect the negative battery cable.

## Installing the Mounting Plate

1. Remove and retain the fasteners securing the front of the deck plate as shown in [Figure 1](#).

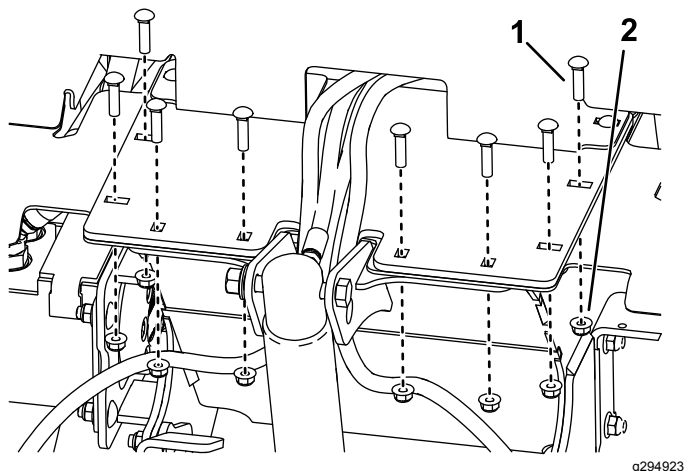


Figure 1

1. Carriage bolt (8)
2. Nut (8)

2. Slide the mounting plate under the hydraulic hoses and secure it using the previously removed fasteners ([Figure 2](#)).

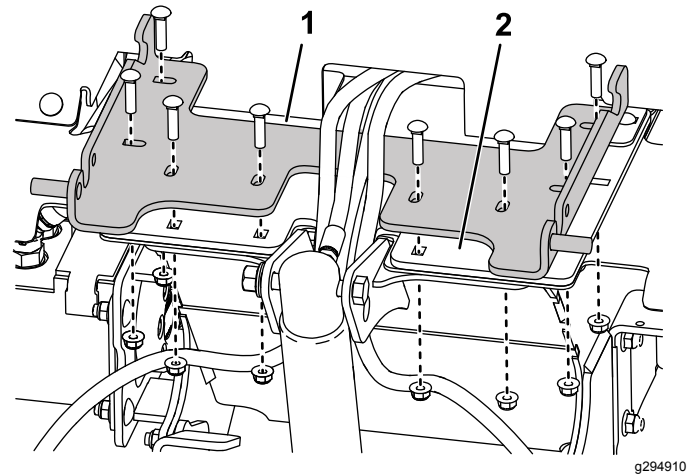


Figure 2

1. Mounting plate
2. Deck plate

3. Torque the fasteners to 15 N·m (11 ft-lb).

## Installing the Return Valve

1. Remove the main tank hose from the 90° hose fitting ([Figure 3](#)).

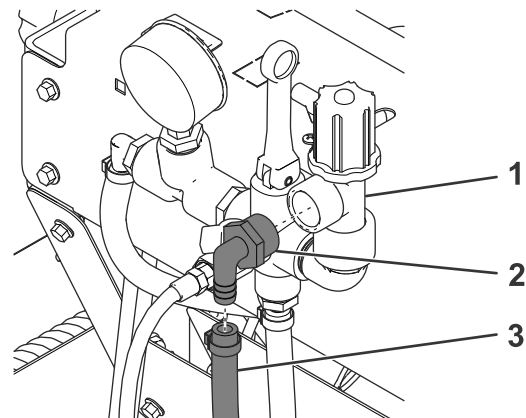
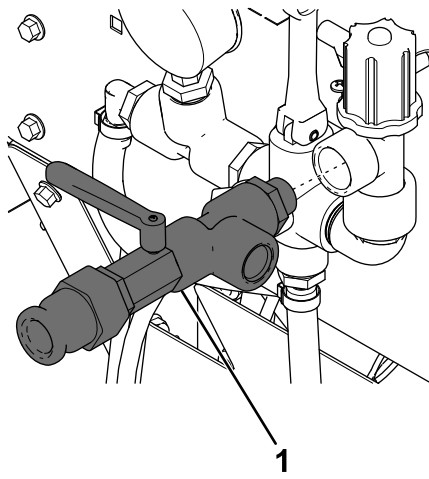


Figure 3

1. Sprayer throttle
2. 90° hose fitting
3. Main tank hose

2. Disconnect the 90° hose fitting from the sprayer throttle and discard ([Figure 3](#)).
3. Apply thread locking compound to the end of the return valve and secure it to the sprayer throttle ([Figure 4](#)).



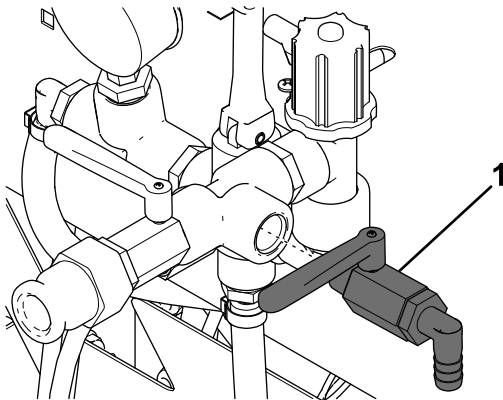


**Figure 4**

g302405

1. Return valve

4. Apply thread locking compound to the end of the main tank valve and secure it to the side of the return valve ([Figure 5](#)).

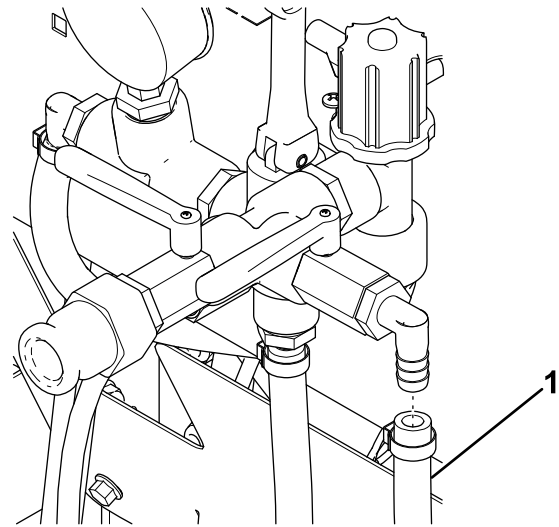


**Figure 5**

g302406

1. Main tank valve

5. Apply silicone spray to the end of the previously disconnected main tank hose, slide a hose clamp onto the end, and secure it to the main tank valve ([Figure 6](#)).



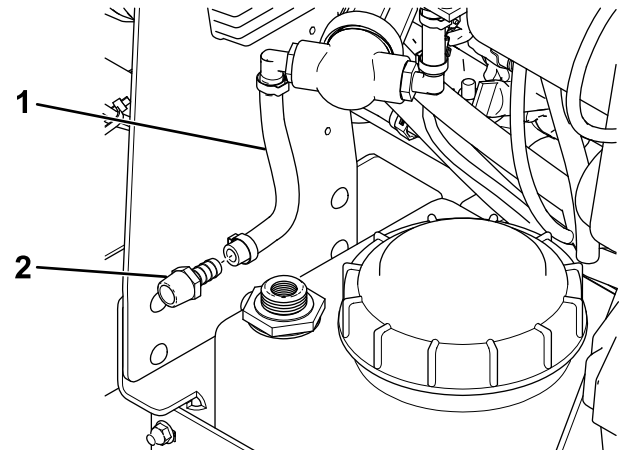
**Figure 6**

g302407

1. Main tank hose

## Installing the Pump Valve

1. Remove the pump hose from the fitting on the tank ([Figure 7](#)).

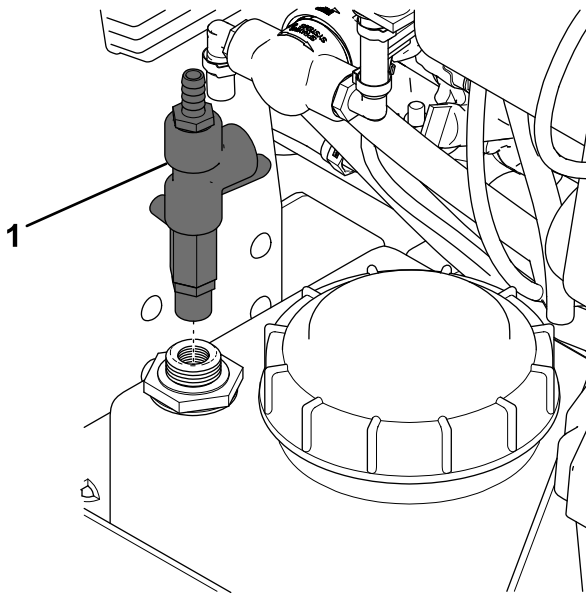


**Figure 7**

g302408

1. Pump hose
2. Pump hose fitting

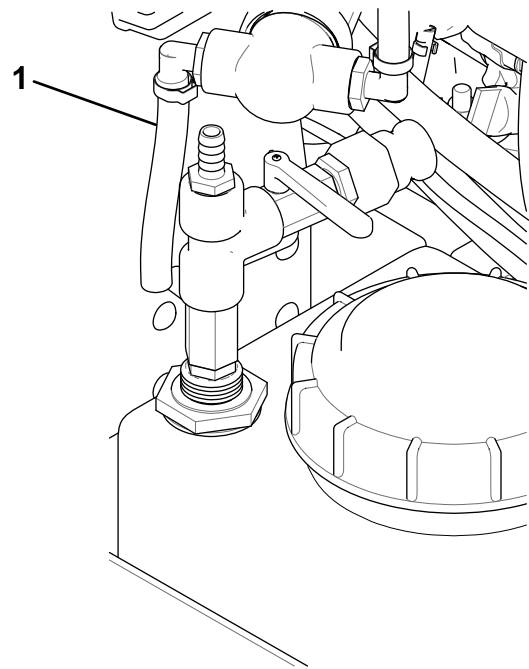
2. Disconnect the hose fitting from the tank and discard it ([Figure 7](#)).
3. Apply thread locking compound to the end of the pump valve and secure it to the main tank ([Figure 8](#)).



g302409

**Figure 8**

1. Pump valve

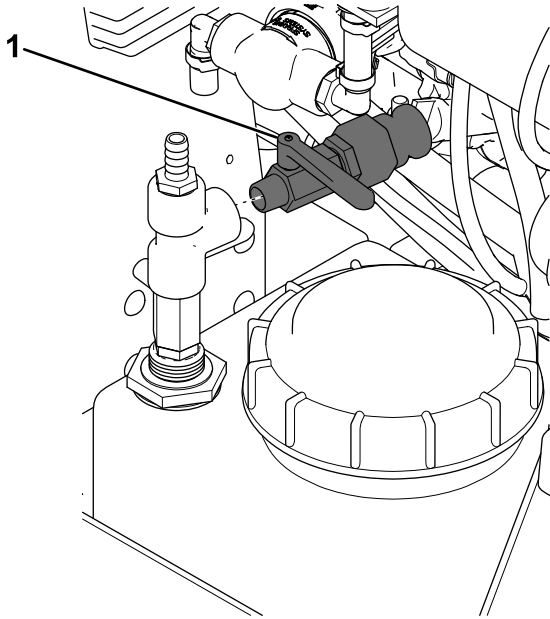


g302396

**Figure 10**

1. Pump hose

4. Apply thread locking compound to the end of the auxiliary tank valve and secure it to the pump valve ([Figure 9](#)).

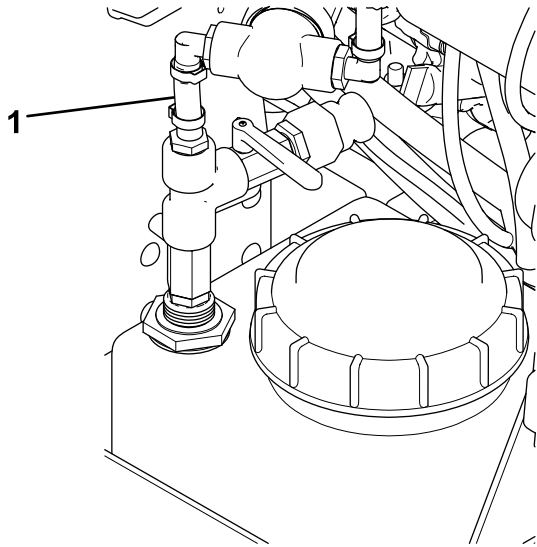


g302410

**Figure 9**

1. Auxiliary tank valve

6. Apply silicone spray to the end of the pump hose, slide a hose clamp onto the end, and secure it to the pump valve ([Figure 11](#)).



g302397

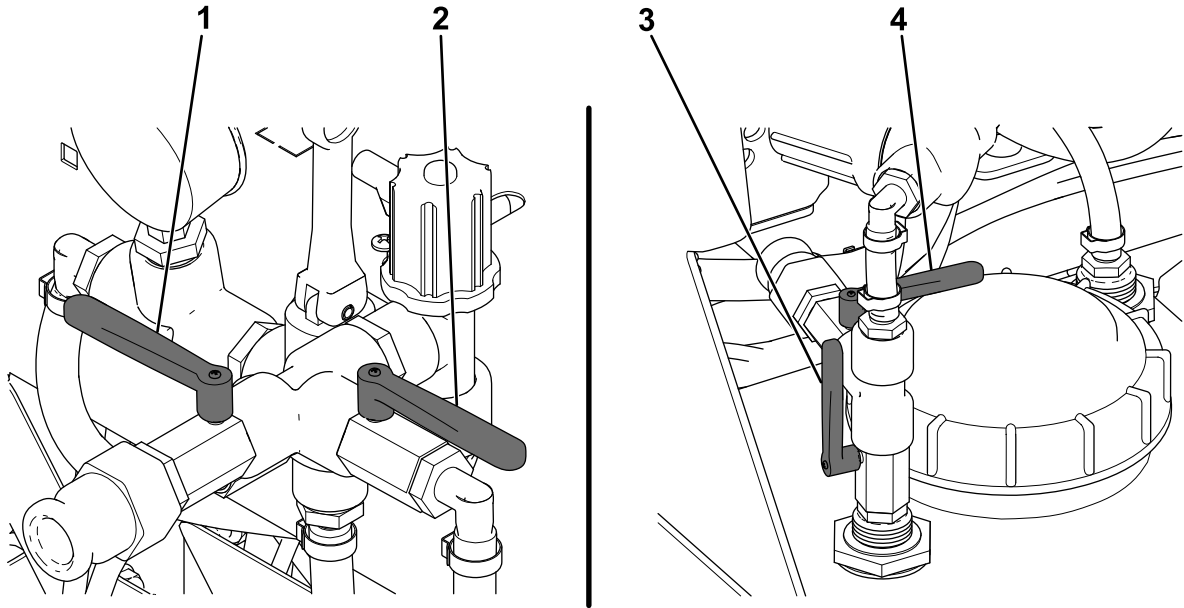
**Figure 11**

1. Pump hose

5. Hold the previously disconnected pump hose next to the pump valve and trim it to fit onto the new fitting ([Figure 10](#)).

# Mounting the Auxiliary Tank

1. Ensure that all of the valves to the auxiliary tank are in the CLOSED position as shown in [Figure 12](#).

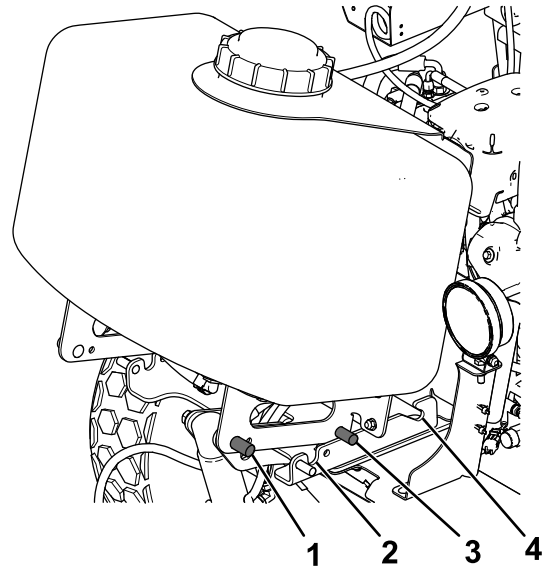


**Figure 12**

g302398

1. Auxiliary tank return valve—Closed
2. Main tank return valve—Open
3. Main tank pump valve—Open
4. Auxiliary tank pump valve—Closed

2. Ensure that all of the valves to the main tank are in the OPEN position as shown in [Figure 12](#).
3. Rest the rear mounting pins of the auxiliary tank on the mounting plate and slide the tank back into the grooves ([Figure 13](#)).
4. Lower the front mounting pins into the grooves in the mounting plate ([Figure 13](#)).

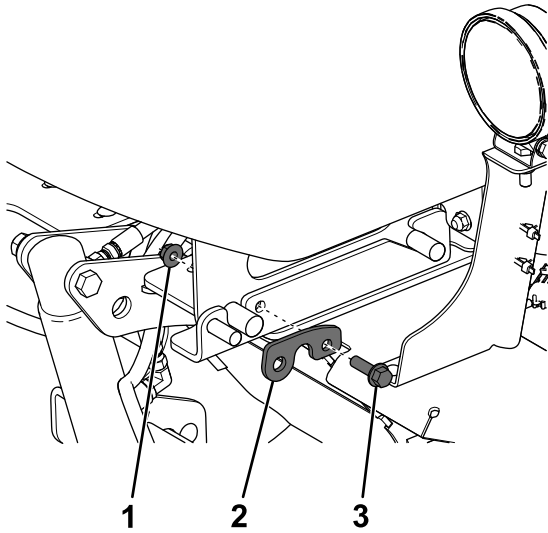


**Figure 13**

g302399

1. Front mounting pin
2. Front mounting-plate groove
3. Rear mounting pin
4. Rear mounting-plate groove

- Slide a mounting latch onto the mounting plate pins on both sides of the spreader ([Figure 14](#)).



**Figure 14**

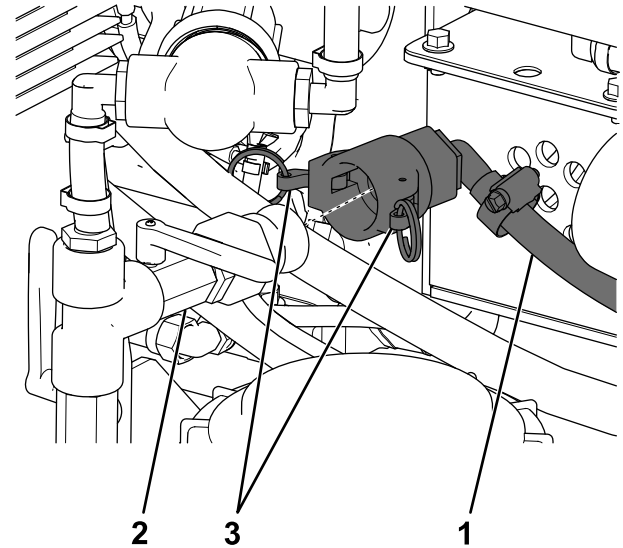
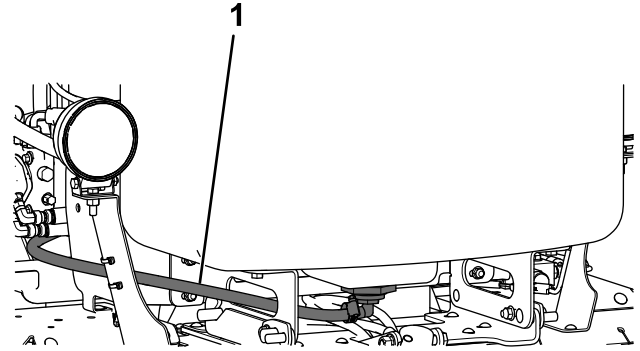
g302400

- Flange nut (3/8 inch)
- Mounting latch
- Bolt (3/8 inch)

- Secure each of the mounting latches using a bolt (3/8 inch) and a flange nut ([Figure 14](#)).
- Torque the bolts to 27 N·m (20 ft-lb).

## Connecting the Auxiliary Tank

- Route the hose on the bottom of the auxiliary tank through the tank sideplates and back towards the pump valve ([Figure 15](#)).

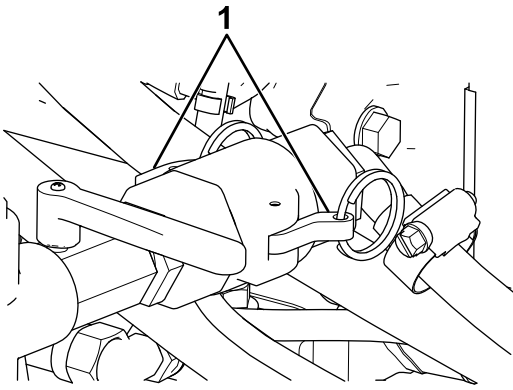


**Figure 15**

g302401

- Bottom tank hose
- Auxiliary tank pump valve
- Hose arms

- Connect the hose to the pump valve and pull the arms back to secure it ([Figure 16](#)).

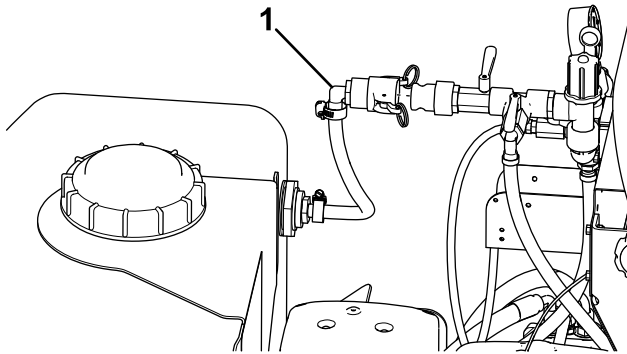


g302402

**Figure 16**

1. Hose arms
- 

3. Connect the hose on the top of the auxiliary tank to the return valve and pull the arms back to secure it (Figure 17).



g302403

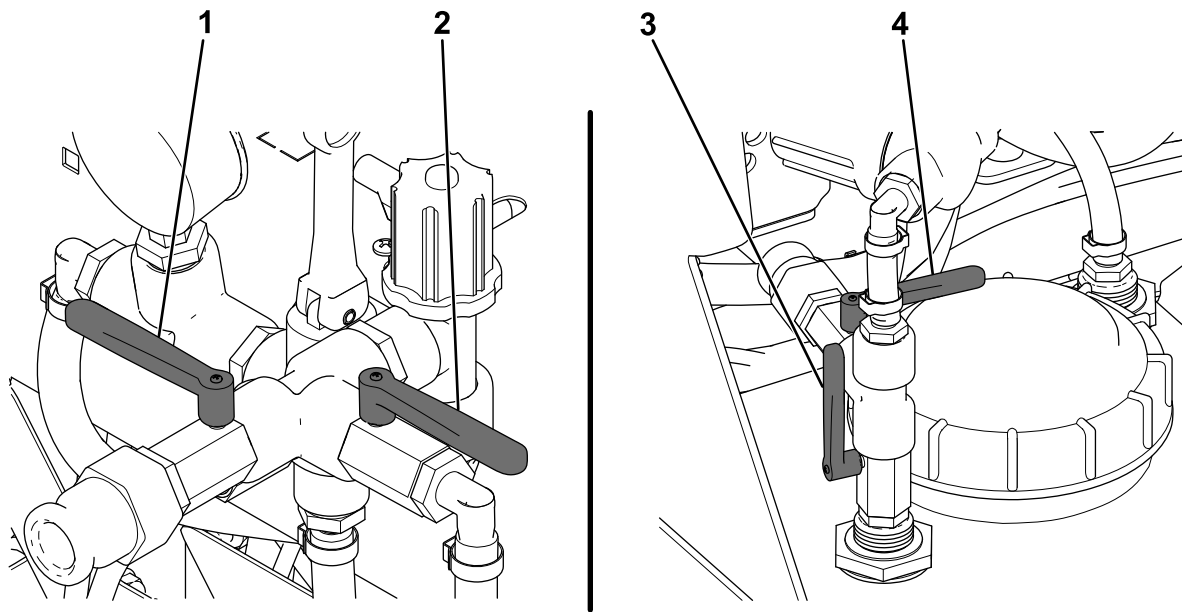
**Figure 17**

1. Top tank hose
-

# Operation

To use the auxiliary tank, close the valves for the main tank and open the valves for the auxiliary tank.

To use the main tank, close the valves for the auxiliary tank and open the valves for the main tank.



**Figure 18**

g302398

1. Auxiliary tank return valve—Closed
2. Main tank return valve—Open

3. Main tank pump valve—Open
4. Auxiliary tank pump valve—Closed

**BOSS**

**S N O W P L O W**