

Installation Instructions

1. Park the machine on a level surface, and move the motion-control levers to the NEUTRAL position.
2. Disconnect the kill cord from the operator presence sensor to shut off the engine, wait for all moving parts to stop, and remove the key.
3. Chock the front tires.
4. Secure the flap to the machine using 3 bolts, a retainer plate, and 3 nuts (Figure 1).

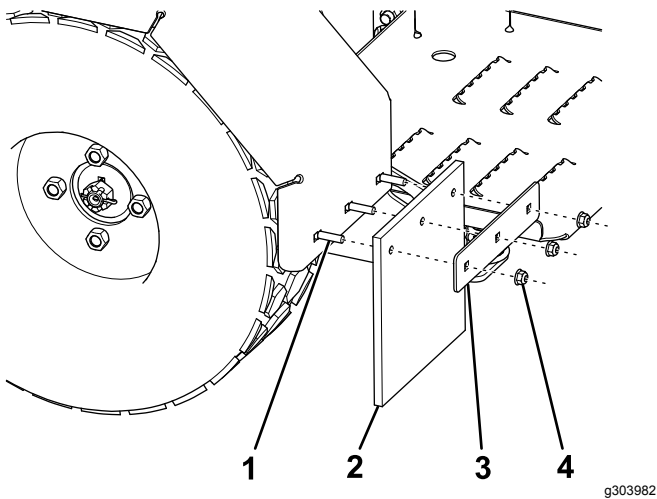


Figure 1

- | | |
|---------|-------------------|
| 1. Bolt | 3. Retainer plate |
| 2. Flap | 4. Nut |

5. Repeat step 4 on the other side of the machine.

