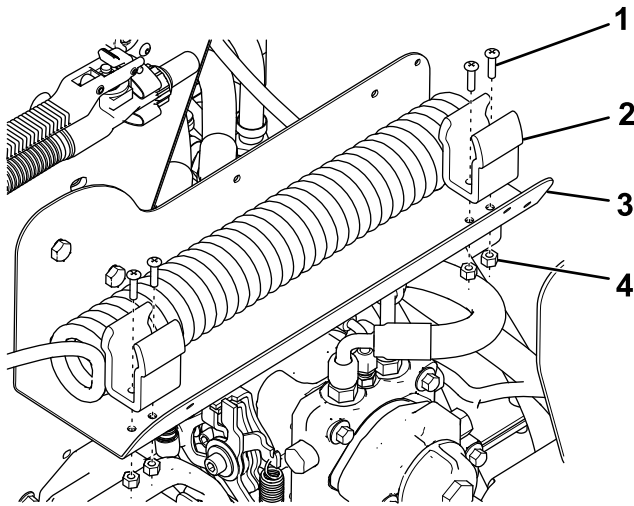


Installation Instructions

1. Park the machine on a level surface, move the motion-control levers to the NEUTRAL position, disconnect the kill cord from the operator presence sensor to shut off the engine, wait for all moving parts to stop, remove the key, and chock the front tires.
2. Secure the clip to the spray gun tray using 2 bolts and nuts (Figure 1).



g304206

Figure 1

- | | |
|---------|-------------------|
| 1. Bolt | 3. Spray gun tray |
| 2. Clip | 4. Nut |

3. Repeat for the other clip.

