



**A Division of Northern Star Industries, Inc.**  
P.O. Box 787 Iron Mountain, MI 49801-0787  
ISO 9001:2008 REGISTERED  
bossplow.com

# **SK Series BOX PLOW**

## **INSTALLATION & OWNER'S MANUAL**

### **TABLE OF CONTENTS**

SAFETY .....	2
INTRODUCTIONS .....	5
TIPS ON PLOWING SNOW.....	6
BOX PLOW ASSEMBLY PROCEDURE .....	7
BOX PLOW BLADE ASSEMBLY DRAWING AND PARTS LIST.....	8
BOX PLOW MOUNTING & REMOVAL PROCEDURE .....	10
MAINTENANCE .....	10
PUTTING PLOW INTO STORAGE .....	10
TAKING PLOW OUT OF STORAGE.....	10
RECOMMENDED BOLT TORQUE .....	11
WARRANTY.....	12

BOSS Products / Northern Star Industries, Inc. reserves the right under its continuous product improvement policy to change construction or design details and furnish equipment when so altered without reference to illustrations or specifications used herein.

** WARNING**

Serious injury or death can result if you do not follow these instructions and procedures which are outlined further within your owner's manual.

- NEVER get body parts between plow system and vehicle while servicing or operating.
- NEVER position body parts between moving parts of the plow system while servicing or operating.
- NEVER use a skid-steer exceeding an operating weight of 13,000lbs. Exceeding this weight could result in an accident or damage.
- Read this manual and all labels carefully. Follow the operating procedures described.
- Follow all operator safety instructions found in your skid-steer Owner's Manual.
- When transporting, position plow so as not to block vision.
- NEVER change blade position when transporting.
- NEVER exceed 10 mph when plowing snow.
- NEVER exceed 5 mph while changing blade position.
- Make sure plow is properly and securely attached before moving vehicle.
- Always lower blade when vehicle is not in use.
- NEVER ride on plow system.
- NEVER lift persons on plow system.
- NEVER operate on steep inclines.
- Operators should always use vehicle seat belts and all other applicable personal protective equipment while operating plow.
- Always remove plow from machine before servicing.

** WARNING**

**POTENTIAL HAZARD**

Operating Plow System without proper instruction.

**WHAT CAN HAPPEN**

Loss of control, accident.

**HOW TO AVOID THE HAZARD**

The risk of an accident is greatly increased if the operator does not know how to operate the Plow System properly in different situations.

All operators must read and understand the Owner's manual and instruction labels before operating the system.

** WARNING**

**POTENTIAL HAZARD**

Operating the vehicle with the Plow System not properly attached. The plow is not fully engaged or secured.

**WHAT CAN HAPPEN**

Loss of control, accident.

**HOW TO AVOID THE HAZARD**

Never operate the vehicle when the Plow System is not properly attached.

** WARNING**

**POTENTIAL HAZARD**

Operating the vehicle with the Plow System in a position that blocks your vision.

**WHAT CAN HAPPEN**

Collision with obstacle or another vehicle.

**HOW TO AVOID THE HAZARD**

Never operate the vehicle when the Plow System is in a position that blocks your vision.

## **Safety**

---

### **WARNING**

#### **POTENTIAL HAZARD**

Positioning body parts on or between Plow System while operating or servicing Plow System or the vehicle.

#### **WHAT CAN HAPPEN**

Severe injury or death can occur if a person gets caught between moving parts or falls while vehicle is in motion.

#### **HOW TO AVOID THE HAZARD**

Never ride in, ride on, or stand next to Plow System while someone is operating it or the vehicle.

### **WARNING**

#### **POTENTIAL HAZARD**

Exceeding recommended speed limits set for operation types.

#### **WHAT CAN HAPPEN**

Loss of control, accident.

#### **HOW TO AVOID THE HAZARD**

Do not exceed recommended speed limits. Always travel at proper speed for terrain, visibility, operating conditions, and your experience.



## A REVOLUTION AGAINST SNOW

Congratulations on purchasing the finest box plow made. The BOSS sets the standard for quality, reliability, craftsmanship, and performance. Our products are designed, built, and proven in Michigan's rugged Upper Peninsula, where winter is a way of life. We back it all up with exceptional customer service and satisfaction. We're not just setting the standard. We're leading the way.

The BOSS SNOWPLOW has been carefully designed and built for years of carefree performance.

To keep your BOSS PLOW in top shape, take a few minutes to study this manual. It will show you how to use and service the BOSS, familiarize you with all of its parts, and give you helpful tips on plowing snow.

If you have further questions, your local BOSS DEALER is the person to talk to. They know your plow well and want your complete satisfaction.

## IMPORTANT

*Keep this section for your record.*

Date Purchased: \_\_\_\_\_

Model Purchased: \_\_\_\_\_

Plow Serial Number: \_\_\_\_\_

### PURCHASED FROM

Dealer Name: \_\_\_\_\_

Dealer Address: \_\_\_\_\_

Dealer Phone No.: \_\_\_\_\_

### ***Tips on Plowing Snow***

---

- Know the area you are plowing, hidden obstructions such as curbs, sidewalks, pipes, etc. can cause damage to your plow or vehicle.
- Do not let the snow accumulate; always plow with the storm.
- Always wear your seatbelt when plowing snow.
- Always lower the blade when parking your vehicle. This reduces the load on your vehicle's hydraulic system and guards against any potential mishap caused by a falling plow.
- Always remember to plow at a safe speed. The faster you plow the harder you will hit hidden obstructions.
- Do not get body parts between or under the plow and vehicle when servicing or operating the plow.
- When transporting, position plow so as not to block vision.
- Do not change blade position while traveling.

### ***Proper Plowing Orientation***

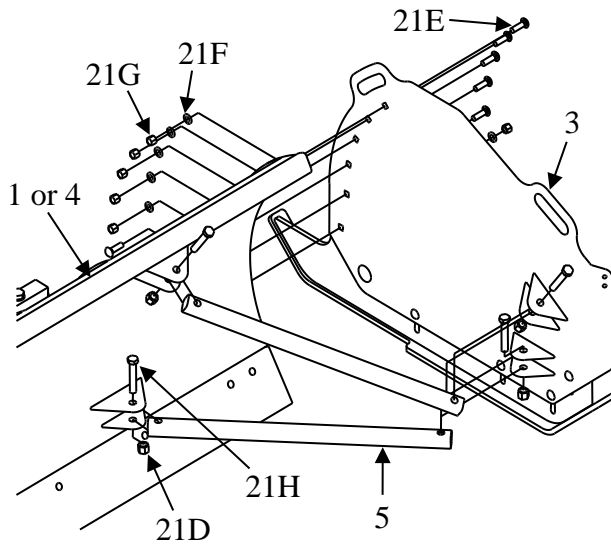
---

- Start with the slip hitch pins in the middle of the slots to allow the plow to float and follow the contours of the ground better.
- If plow orientation is incorrect, chattering or insufficient contact may result.
- For more plowing tips please visit [www.bosspow.com](http://www.bosspow.com).

# Box Plow Assembly Procedure

**Note:** This manual is used for the assembly of the BOSS SK-8 and SK-10 box plows. Part numbers for the BOSS SK-8 and SK-10 box plows are listed on the parts diagram in this manual.

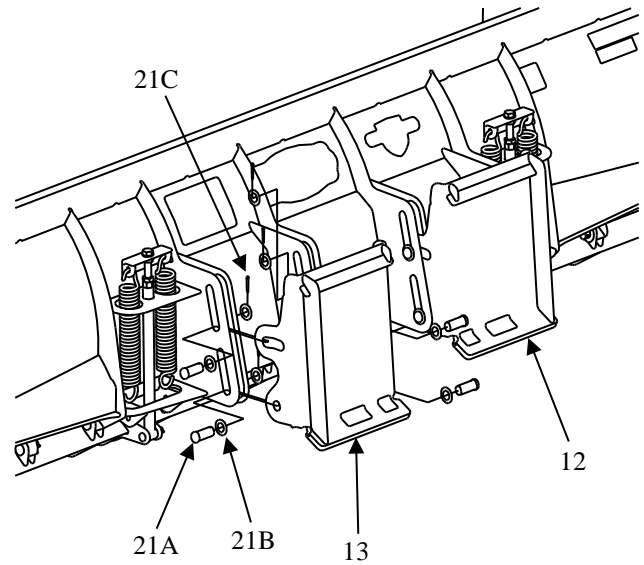
**Figure 1.** Wing and Brace Attachment G10696



1. Secure the left wing (3) to the blade with edge (1 or 4) by inserting the 1/2" carriage bolt (21E) through the blade and wing followed by placing a 1/2" washer (21F) and tightening a 1/2" nylon lock nut (21G) for each bolt as seen in Figure 1.
2. Place one of the tube braces (5) into the lower tabs on both the blade and wing until the holes line up.
3. Insert a 5/8" bolt (21H) through both sets of tabs and fasten with a 5/8" nylon lock nut (21D).
4. Place another tube brace into the upper tabs and repeat.
5. Repeat steps 1 through 4 for the other side.

**NOTE:** If the holes for the tube bracing do not line up, loosen the bolts holding the wing to the blade, line up the holes for the tube bracing followed by inserting the 5/8" bolts then tightening ALL fasteners.

**Figure 2.** Slip Hitch Attachment G10697



1. Place the left hitch plate (13) in between the ribs on the left side of the blade.
2. Place 1" clevis pins (21A) along with washers (21B) through the slots in both the ribs and the slip hitch with the head of the pin on the outside as seen in Figure 2.
3. Place washers on the other side of the clevis pins followed by inserting and bending cotter pins (21C).
4. Repeat for the right slip hitch plate (12).

(POSTER PAGE)



(POSTER PAGE)

## ***Snowplow Mounting and Removal Procedure***

---

### ***Mounting Procedure***

1. Approach plow slowly, tilt vehicle side attachment plates forward and adjust height as necessary.
2. Pull into the plow until the top of vehicle side attachment plates are under the top lip of the plow hitch plate.
3. Bottom the attachment system between the plow and vehicle.
4. Put vehicle in park and engage parking brake before leaving vehicle.
5. Engage the attachment pins on the vehicle.

---

### ***Snowplow Removal Procedure***

1. Locate a suitable area to place the plow, free of obstructions and inclines.
2. Carefully lower the plow to the ground.
3. Put vehicle in park and engage parking brake before leaving vehicle.
4. Carefully back the vehicle away from the plow.

### ***Maintenance and Storage***

---

#### ***Maintenance***

Your BOSS PLOW is designed for reliable service with minimal maintenance. To ensure that it gives you the same high performance year after year, please use it properly and observe the following maintenance precautions.

- Inspect the following on a regular basis:
- All fasteners, pins, retainers, nuts and bolts for tightness. *See Recommended Bolt Torque located in this manual.*
- Cutting edge wear.
- Wing shoe wear.
- Inspect the attachment system, ensure it is fastened securely when on vehicle.

---

#### ***Putting the Plow into Storage***

1. Drive the snowplow to a storage site. Follow the normal procedure for dismounting from the plow.
2. Touch-up any rust spots or chipped paint.
3. Loosen the trip springs.

---

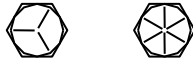
#### ***Taking the Plow out of Storage***

1. Check all fasteners for tightness. *See Recommended Bolt Torque located in this manual.*
2. Tighten the trip springs.

## Recommended Bolt Torque

---

### GUIDE TO RECOMMENDED ASSEMBLY TORQUE



DIAMETER / PITCH	GRADE 5	GRADE 8	GRADE 8.8	GRADE 10.9
1/4-20	6	9		
5/16-18	14	19		
3/8-16	23	33		
7/16-14	38	53		
1/2-13	56	80		
9/16-12	82	116		
5/8-11	113	159		
3/4-10	201	283		
M10 X 1.25			36	
M10 X 1.5				49
M12 X 1.75				71
M14 X 2.0				80

ALL TORQUE VALUES ARE IN FOOT-POUNDS (FT.-LB.)

---

**Figure 3.** Recommended Bolt Torque

G10410

**NOTE:** The torque values listed above are based on dry, coated bolts, variables such as oil, or other lubrications may appreciably alter these values and must be taken into consideration.

**NOTICE:** IT IS IMPORTANT THAT ALL FASTENERS BE PROPERLY TORQUED TO ASSURE A SAFE OPERATING PLOW. RE-TIGHTEN ALL FASTENERS AFTER 2 HOURS OF PLOWING.

# **BOSS SNOWPLOW COMMERCIAL WARRANTY**

**What this warranty covers:**

This warranty covers defects in material and workmanship except as set forth below.

**Who is covered:**

The original purchaser from an authorized dealer.

**For how long:**

**Parts:** 2 years from the date of purchase.

**Labor:** 2 years from the date of purchase.

**What BOSS PRODUCTS will do:**

BOSS PRODUCTS will, at its sole option, repair or replace defective parts at no charge.

**What you must do to for warranty service:**

To obtain warranty service, purchaser must return the defective snowplow to any authorized BOSS PRODUCTS dealer (preferably the one from whom the snowplow was purchased) within the warranty period. Purchaser must be able to verify the original purchase date. All transportation costs to and from the dealer will be the responsibility of the purchaser. To locate the authorized BOSS dealer nearest to you, call toll free: (800) 286-4155.

**What is not covered:**

This warranty does not cover:

1. Expendable parts such as hoses, plow shoes, cutting edges, pins, nuts, bolts, blade guides, etc.
2. Snowplows or parts repaired or altered by anyone other than an authorized BOSS PRODUCTS dealer.
3. Snowplows or parts which have been subject to misuse, negligence, accident, improper installation, maintenance, care or storage.
4. Snowplows mounted on vehicles other than those listed in the BOSS SNOWPLOW APPLICATION CHART AND SELECTION GUIDE.
5. BOSS PRODUCTS does not assume liability for damage to your motor vehicle resulting from the attachment or use of a BOSS PRODUCTS snowplow. Vehicle risk is the sole responsibility of the purchaser.

**Limits of BOSS Products Liability are:**

BOSS PRODUCT'S LIABILITY IS EXPRESSLY LIMITED TO REPAIR OR REPLACEMENT OF DEFECTIVE PARTS. BOSS PRODUCTS SHALL NOT BE LIABLE FOR CONSEQUENTIAL, INCIDENTAL OR CONTINGENT DAMAGES WHATSOEVER, EVEN IF DAMAGES ARE CAUSED BY THE NEGLIGENCE OR FAULT OF BOSS PRODUCTS.

THE FOREGOING WARRANTIES ARE EXCLUSIVE AND IN LIEU OF ALL OTHER EXPRESS AND IMPLIED WARRANTIES INCLUDING, BUT NOT LIMITED TO, THE IMPLIED WARRANTIES OF MERCHANTABILITY AND FITNESS FOR A PARTICULAR PURPOSE.

This warranty does not apply if you purchased your snowplow for personal, family, or household use. In this case, refer to the BOSS Snowplow Limited Consumer Warranty.

BOSS PRODUCTS is a division of

Northern Star Industries, Inc.  
PO Box 787  
1819 N Stephenson Ave.  
Iron Mountain, MI 49801

(2010-2011)

# BOSS SNOWPLOW LIMITED

## CONSUMER WARRANTY

### What the warranty covers:

BOSS PRODUCTS warrants to the original retail purchaser of a BOSS snowplow who purchases it for personal, family or household use, that the snowplow will be free from defects in material and workmanship except as set forth below.

### Warranty period:

**Parts:** 2 years from the date of purchase.

**Labor:** 2 years from the date of purchase.

### What BOSS PRODUCTS will do:

If, within the warranty period, the snowplow is found to be defective, BOSS PRODUCTS will repair or replace, at its sole option, the defective parts at no charge to the original purchaser.

### What you must do for warranty service:

To obtain service under this warranty, purchaser must return the defective snowplow to an authorized BOSS PRODUCTS dealer (preferably the one from whom the snowplow was purchased). The purchaser must establish the warranty period by verifying the original purchased date. All transportation costs to and from the dealer will be the responsibility of the purchaser. To locate the authorized BOSS dealer nearest to you, call toll free: (800) 286-4155.

### What is not covered:

This limited warranty does not cover the following:

1. Expendable parts such as hoses, plow shoes, cutting edges, pins, nuts, bolts, blade guides, etc.
2. Snowplows or parts repaired or altered by anyone other than an authorized BOSS PRODUCTS dealer.
3. Snowplows or parts which have been subject to misuse or service, negligence, accident, improper installation, maintenance, care or storage.
4. Snowplows mounted on vehicles other than those listed in the BOSS SNOWPLOW APPLICATION CHART AND SELECTION GUIDE.
5. BOSS PRODUCTS does not assume any liability for motor vehicle damage resulting from the attachment or use of a BOSS PRODUCTS snowplow. Vehicle risk is the sole responsibility of the purchaser.

### Warranty limitations:

THIS WARRANTY IS OFFERED IN LIEU OF ANY OTHER EXPRESS WARRANTY.

THE DURATION OF ALL IMPLIED WARRANTIES, INCLUDING BUT NOT LIMITED TO THE IMPLIED WARRANTIES OF MERCHANTABILITY AND FITNESS FOR A PARTICULAR PURPOSE, ARE LIMITED TO THE DURATION OF THIS WARRANTY.

BOSS PRODUCTS LIABILITY IS EXPRESSLY LIMITED TO THE REPAIR OF THE SNOWPLOW, INCLUDING LABOR AND REPLACEMENT OF DEFECTIVE PARTS. BOSS PRODUCTS SHALL NOT BE LIABLE FOR ANY CONSEQUENTIAL, INCIDENTAL OR CONTINGENT DAMAGES WHATSOEVER, EVEN IF DAMAGES ARE CAUSED BY BOSS PRODUCTS NEGLIGENCE OR FAULT.

### State laws:

Some states do not allow exclusion of incidental or consequential damages or the limitations on how long an implied warranty lasts, so these limitations or exclusions may not apply to you. This warranty gives you specific legal rights and you may also have the other rights which vary from state to state.

This warranty does not apply if you purchased your snowplow for other than personal, family, or household use. If so, refer to the BOSS Snowplow Commercial Warranty.

BOSS PRODUCTS is a division of

Northern Star Industries, Inc.  
PO Box 787  
1819 N Stephenson Ave.  
Iron Mountain, MI

(2010-2011)

(BACK PAGE)