

MSC06289 Headlight Adapter Installation Procedure

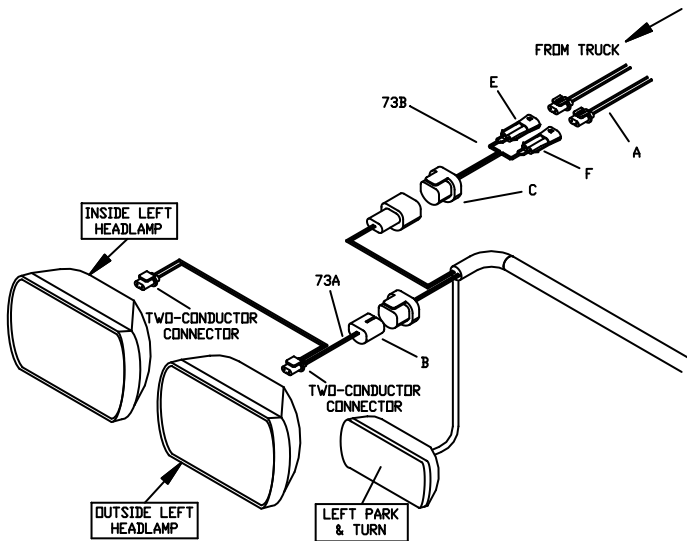


Figure 1. '04 & Newer Titan Headlight Adapter Connections G10161

This installation Procedure is for 2004 & Newer Nissan Titan trucks with 4 headlight system.

1. Disconnect OEM Headlight Connector Plugs (A) from the back of the vehicle headlight.
2. Connect two ends of Headlight Adapter (73A) into the back of the vehicle headlights.
3. Connect the Black Rubber Female Socket (B) of Headlight Adapter (73A) into the plow wiring harness.
4. Connect the Blue Sealed Beam Connector (C) of Headlight Adapter (73B) into the plow wiring harness.

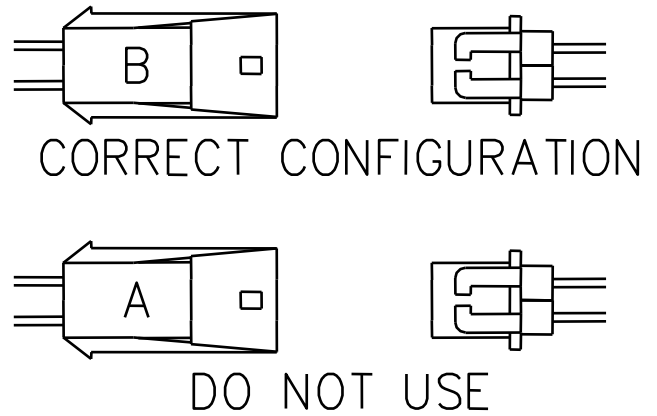


Figure 2. Item 73B to Titan Wire Harness Connections G10381

5. Connect the gray (E) and black (F) sockets on headlight adapter 73B into the gray and black plugs from OEM wiring harness (A). Black to black and gray to gray.

Note: These connectors can be plugged in two ways. Configuration B should be used for the Nissan Titan as shown in figure 2.

6. Repeat steps 1 through 5 for the opposite side headlight

Use Standard Orientation For: *All Ford Models *All 1988 & Newer GM Models *All Dodge Models with 4 Headlight System *All 2003 & Newer Dodge Models	Standard Orientation
Use Reverse Orientation For: *1994 - 2002 Dodge Models with 2 Headlight System (9004 Bulb) *1987 & Older GM Models with 4 Headlight System	Reverse Orientation

Figure 3. Vehicle Option Connector G10202

7. Locate the vehicle option connector. Align the connector so that the wire colors are positioned to match the standard orientation. This is illustrated in Figure 3.
8. Use provided relay kit to supply power to the turn signals directly from the battery. (See Figure 4)

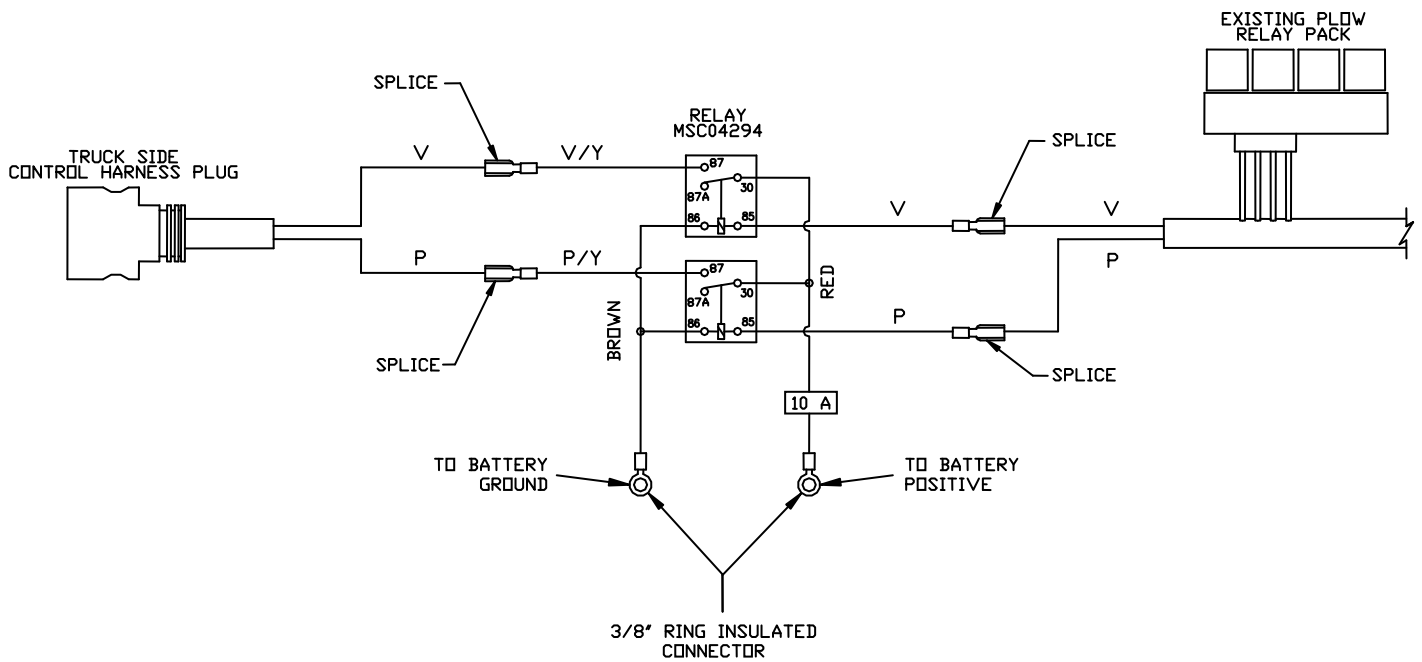


Figure 4. Relay Kit Installation

G10396

9. Start by locating the existing plow control harness relay pack mounted inside the truck engine compartment.
 10. On the control plug side of the relay pack, locate the PINK and VIOLET wires and pull them out of the black convoluted tubing of the wiring harness.
 11. Cut the PINK and VIOLET wires and strip all cut ends.
 12. Attach the PINK and VIOLET wires of the Relay Kit to the cut ends of the PINK and VIOLET wires leading to the existing plow control harness relay pack.
 13. Attach the PINK W/ YELLOW STRIPE and VIOLET W/ YELLOW STRIPE wires of the Relay Kit to the remaining cut ends of the PINK and VIOLET wires leading to the control plug.
 14. Attach the BROWN ground wire of the Relay Kit to the negative ground side of the truck battery.
 15. Attach the RED wire of the Relay Kit to the positive side of the truck battery.
 16. Mount Relay Kit securely with the existing relay pack.
- Note:** If the Relay Kit cannot be mounted with the existing relay pack, the Relay Kit should be mounted securely inside the engine compartment in the upright position.
-
- NOTICE
- All plow wiring should be secured within the engine compartment in a position that provides sufficient room so that hot or moving parts will not be contacted. Vehicle damage could occur if wires are not properly secured.
-
17. After verifying that both truck and plow lights and turn signals work properly, heat the butt-end splice connectors to shrink and seal.