

Installation Instructions

Safety

Installing this kit changes the weight of your plow. Ensure that your vehicle does not exceed the gross-vehicle-weight rating (GVWR) at any time. You

1. Park the machine on a level surface and raise the plow a few inches off the ground.
2. Place a jack stand under the plow pushframe, shut off the vehicle engine, engage the parking brake, and remove the key.
3. Remove the bolts, washers, and nuts that secure the cutting edge to the plow and discard them (Figure 1).

Retain the cutting edge.

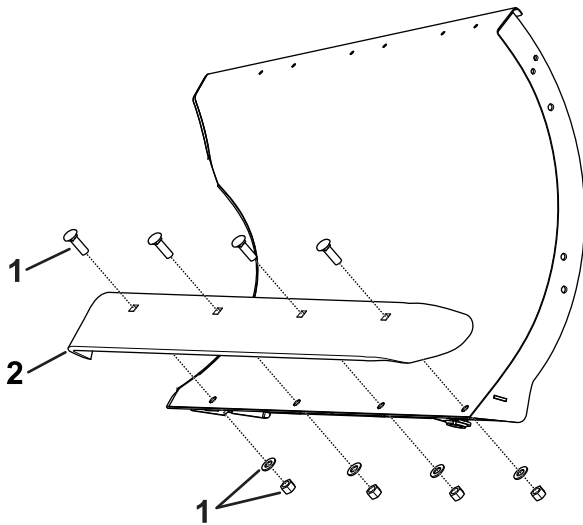


Figure 1

1. Hardware—discard
2. Cutting edge—retain

may need to weigh the vehicle and add ballast or limit the payload of the vehicle to compensate.

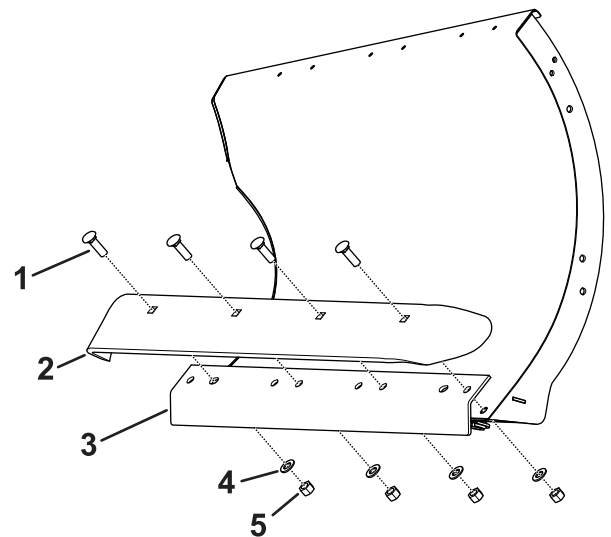


Figure 2

1. Bolt
2. Cutting edge
3. Back drag edge
4. Washer
5. Nut

g247196

g247195

4. Install the back drag edge and previously removed cutting edge to the plow using new bolts, washers, and nuts (Figure 2).



Add P/N MSC29080

Installation Instructions

⚠ WARNING

CALIFORNIA Proposition 65 Warning

This product contains a chemical or chemicals known to the State of California to cause cancer, birth defects, or reproductive harm.

Safety

Installing this kit changes the weight of your plow. Ensure that your vehicle does not exceed the gross-vehicle-weight rating (GVWR) at any time. You may need to weigh the vehicle and add ballast or limit the payload of the vehicle to compensate.

1. Park the machine on a level surface and raise the plow a few inches off the ground.
2. Place a jack stand under the plow pushframe, shut off the vehicle engine, engage the parking brake, and remove the key.
3. Remove the bolts, washers, and nuts that secure the cutting edge to the plow and discard them (Figure 1).

Retain the cutting edge.

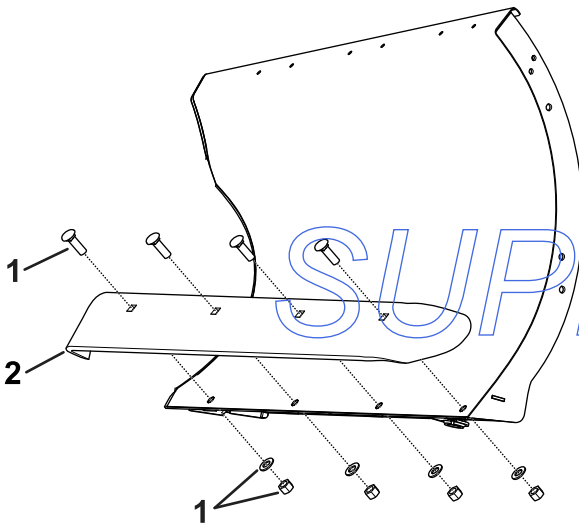


Figure 1

1. Hardware—discard
2. Cutting edge—retain

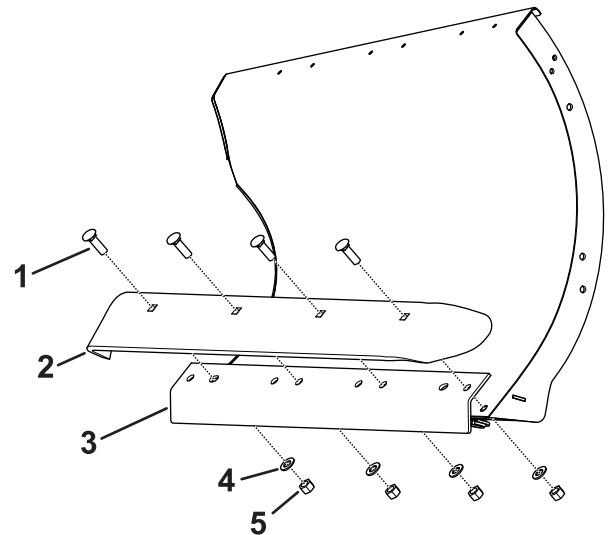


Figure 2

1. Bolt
2. Cutting edge
3. Back drag edge
4. Washer
5. Nut

g247196

g247195

Revision to add model MSC

4. Install the back drag edge and previously removed cutting edge to the plow using new bolts, washers, and nuts (Figure 2).