

⚠ WARNING

CALIFORNIA Proposition 65 Warning

This product contains a chemical or chemicals known to the State of California to cause cancer, birth defects, or reproductive harm.

Safety

- Always follow the vehicle manufacturer's recommendations relating to system installation.
- Due to the variety of equipment that you can install using the undercarriage, ensure that the gross-vehicle-weight rating (GVWR) is not exceeded at any time. You may need to weigh the vehicle and add ballast or limit the payload of the vehicle to compensate.

Installation

Installing the Undercarriage

Determine the left and right sides of the machine from the normal operating position.

1. Park the machine on a level surface, shut off the engine, wait for all moving parts to stop, engage the parking brake, and remove the key.
2. If your machine is equipped with a front bumper, remove it from the machine.
3. Using 4 bolts (M18), secure the front plate to the frame as shown in [Figure 1](#).

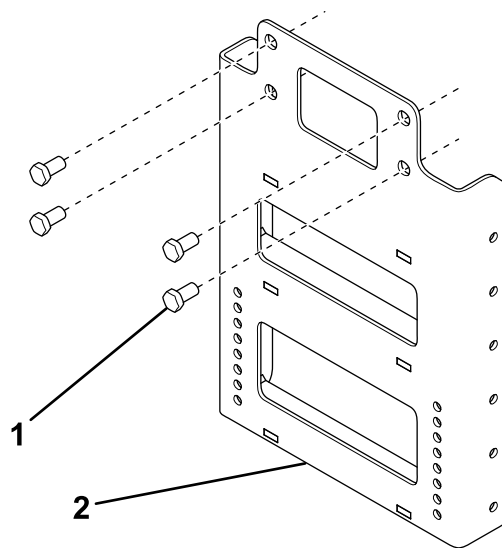


Figure 1

g218295

1. Bolt (M18)
2. Front plate

4. Remove the 2 bolts on each side of the machine used to fasten the loader brackets.

Note: You can use the loader attachment with the undercarriage installed, but remove it when plowing.

5. Loosely secure the front of each sideplate to the frame using 4 bolts (M16) as shown in [Figure 2](#).



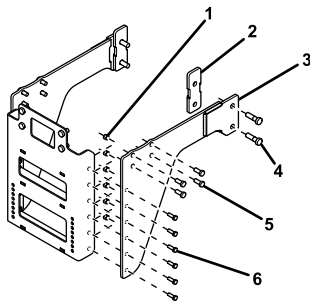


Figure 2

g225580

- | | |
|----------------------|--------------------|
| 1. Nut | 4. Bolt (M20) |
| 2. Spacer (optional) | 5. Bolt (M16) |
| 3. Sideplate | 6. Bolt (1/2 inch) |

-
6. Loosely secure the rear of each sideplate to the frame using a spacer and 2 bolts (M20) as shown in [Figure 2](#). If the machine is equipped with loader brackets, the spacer can be discarded.

Note: Use the 90mm M20 bolts if you are installing the undercarriage on a 3 cylinder machine. Use the 70mm M20 bolts if you are installing the undercarriage on a 4 cylinder machine.

7. Secure each sideplate to the front plate using 6 bolts (1/2 inch) and nuts ([Figure 2](#)).
8. Secure the pushbeam to the front plate using 4 bolts (1/2 inch) and nuts ([Figure 3](#)).

Note: The distance from the ground to the coupler spring-pin holes on the pushbeam should be 39 cm (15-1/2 inches).

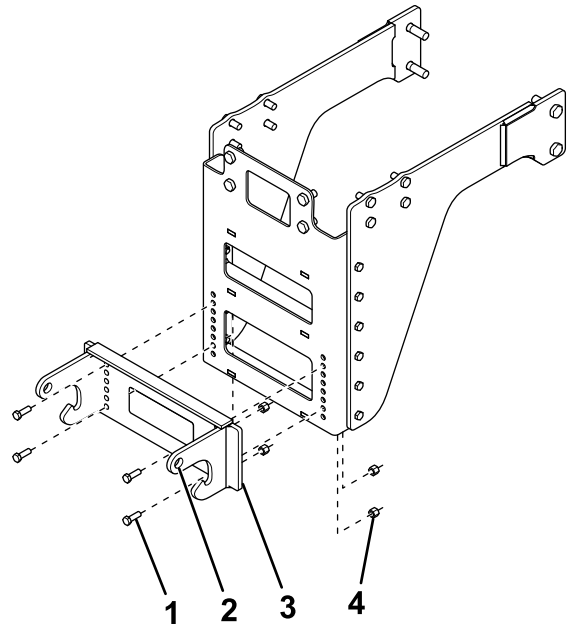


Figure 3

g218297

- | | |
|----------------------------|-------------|
| 1. Bolt (1/2 inch) | 3. Pushbeam |
| 2. Coupler spring-pin hole | 4. Nut |

-
9. Torque all of the fasteners to the following specifications:

- 1/2 inch bolts to 76 N·m (56 ft-lb)
- M16 bolts to 186 N·m (137 ft-lb)
- M18 bolts to 256 N·m (189 ft-lb)
- M20 bolts to 362 N·m (267 ft-lb)

Installing the Wire Harness

▲ DANGER

Vehicle engines contain moving parts and can become extremely hot, capable of causing severe burns and serious bodily harm.

Shut off the engine and allow it to cool down before installing this kit.

▲ DANGER

Vehicle batteries can cause dangerous electrical shocks that could lead to severe burns or death.

Disconnect the battery before installing this kit.

1. Discard the long power/ground cable and the headlight toggle switch included with the control kit.
2. Connect the partially stripped blue wire from the tractor light harness to the blue upfitter wire on the vehicle wire harness using the existing butt connector.
3. Connect the partially stripped red wire from the tractor light harness to the red upfitter wire on the vehicle wire harness using the existing butt connector.
4. Connect the black wire from the tractor light harness to the negative (-) battery terminal post.
5. Ensure that the vehicle firewall is clear of obstructions.
6. Drill a 3 cm (1-1/4 inches) diameter hole through the firewall on the driver side of the vehicle.
Note: The hole should be in an easily accessible area.
7. Insert the split rubber-grommet into the hole.
8. Pull the plow controller connector, black/red wire, 3 tractor light harness connectors, and 2 black wires into the vehicle cab through the hole in the firewall (Figure 4).

Important: Ensure that all wiring is secured in a position that avoids hot or moving parts to prevent damage to the vehicle or plow.

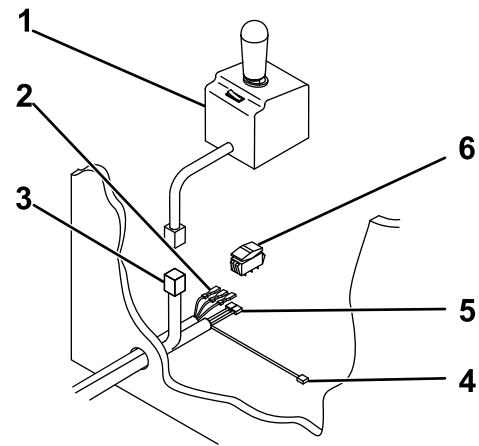
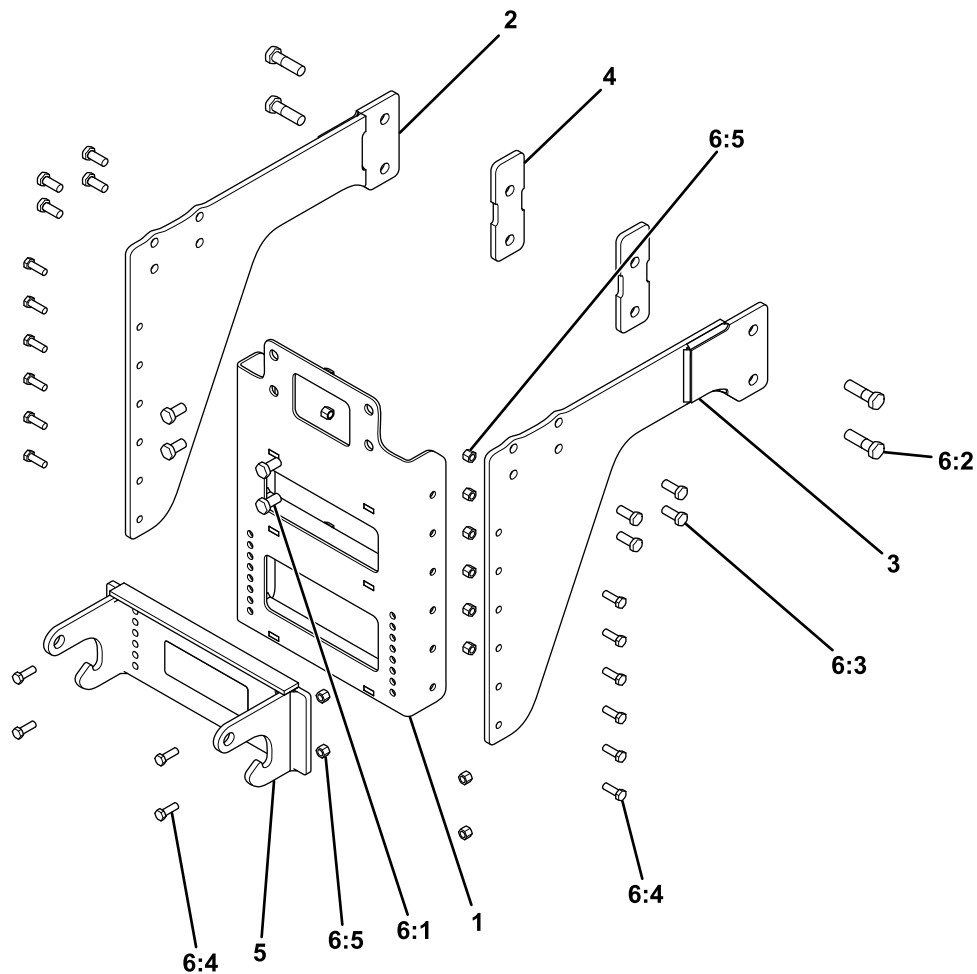


Figure 4

g215379

- | | |
|--------------------------|-------------------|
| 1. Plow controller | 4. Black/red wire |
| 2. Tractor harness wires | 5. Black wires |
| 3. Controller connector | 6. Rocker switch |

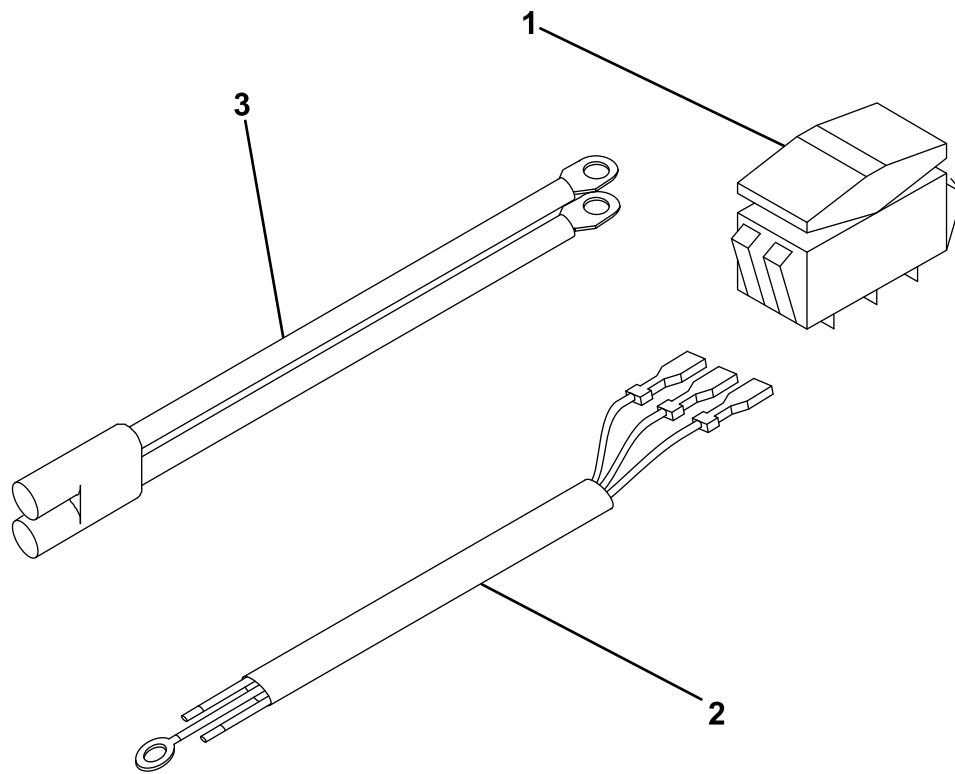
9. Connect the blue tractor harness wire to the bottom post on the rocker switch.
10. Connect the black tractor harness wire to the center post on the rocker switch.
11. Connect the red tractor harness wire to the top post on the rocker switch.
12. Locate an available hole in the dash and mount the rocker switch through it.
13. Continue the wiring installation from step 16 of the upfitter wiring installation manual.



Parts

g225579

Ref.	Part Number	Qty.	Description	Ref.	Part Number	Qty.	Description
1	LTA11207 (for model LTA11150) PBA11139 (for model LTA11200)	1	FRONT PLATE ASSEMBLY	5	PBA11162	1	PUSHBEAM ASSEMBLY
2	LTA11161 (for model LTA11150) LTA11148 (for model LTA11200)	1	LEFT SIDEPLATE ASSEMBLY	6	HDW11206	1	HARDWARE KIT
3	LTA11153 (for model LTA11150) LTA11149 (for model LTA11200)	1	RIGHT SIDEPLATE ASSEMBLY	6:1	HDW11204	4	BOLT-HH (M18 X 2.50 X 35, CL 8.8, PO)
4	PBA11144 (for model LTA11150) PBA11147 (for model LTA11200)	2	SPACER	6:2	HDW11205 (for model LTA11150) HDW11123 (for model LTA11200)	4	BOLT-HH (M20 X 2.50 X 70, CL 8.8, PO) BOLT-HH (M20 X 2.50 X 90, CL 8.8, PO)
				6:3	HDW11203	8	BOLT-HH (M16 X 2.00 X 40, CL 8.8, PO)
				6:4	HDW01728	16	HHCS, 1/2-13 X 1-1/2, NC, GR5, YZN
				6:5	HDW01748	16	NUT, 1/2-13, NYL INS, YZN



Parts

g215929

Ref.	Part Number	Qty.	Description
1	MSC11183	1	SWITCH, ROCKER, HEADLIGHT, HI-OFF-LOW
2	MSC11182	1	HARNESS-LIGHT, TRACTOR
3	HYD11132	1	POWER/GROUND CABLE, VEHICLE SIDE, 36

Notes:

Notes:

BOSS
S N O W P L O W