

Installation Instructions

1. Align the vibrator as low as possible on the back side of the hopper (Box A).

Note: Ensure that there is adequate clearance between the vibrator unit and any existing spreader components.

Note: Ensure that all 4 bolts of the vibrator are located on the flat portion of the hopper.

2. Mark and drill 4 holes (7/16 inch) through the hopper (Box B and C).

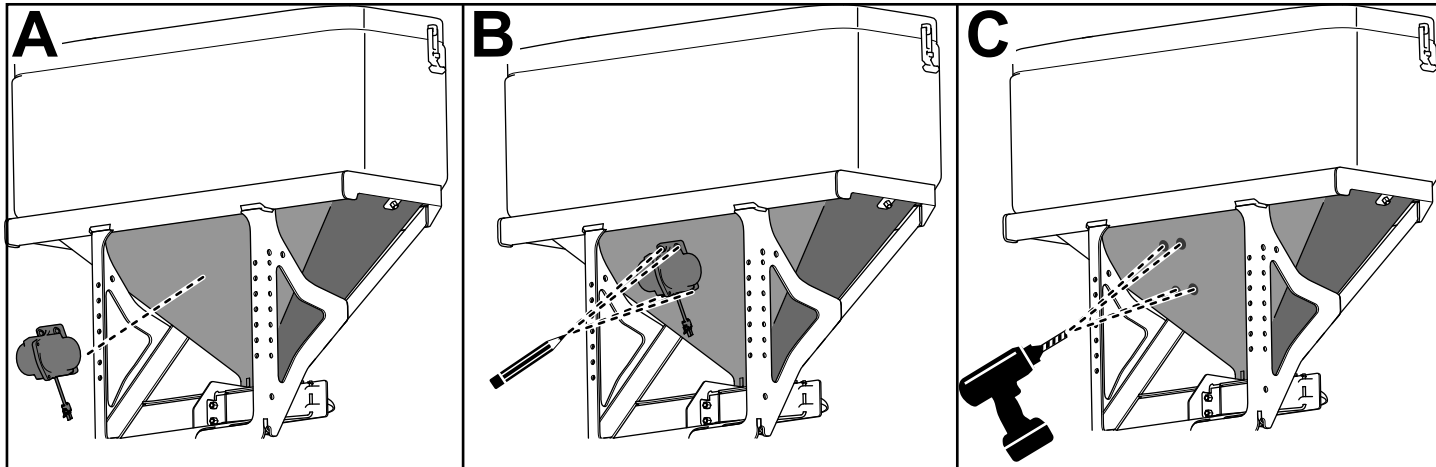


Figure 1

g331676

3. Install the inner plate using 4 bolts and 4 lock washers inside the hopper.

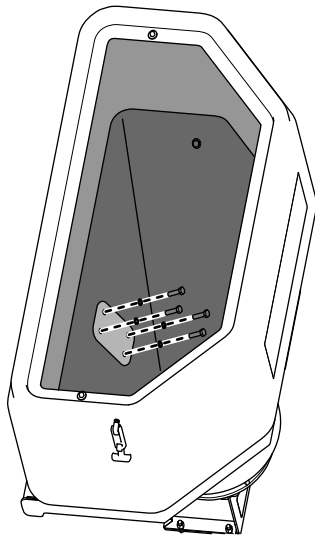


Figure 2

g331677

4. Slide the vibrator onto the 4 bolts and secure with 4 locknuts.

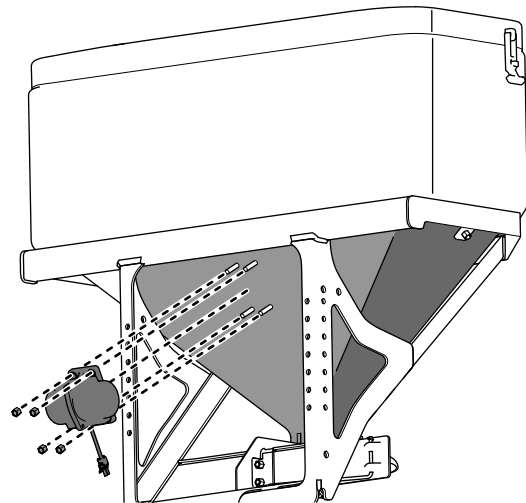
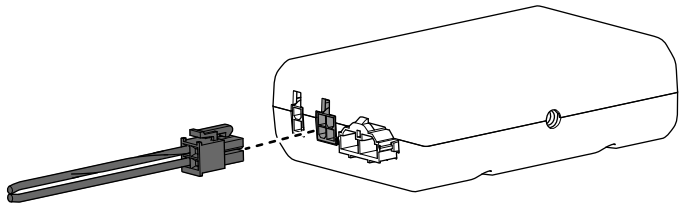


Figure 3

g331678



5. Torque the 4 bolts securing the vibrator to 31 N·m (23 ft-lb).
6. Secure the wire harness using the cable ties.
Note: Ensure that the wire harness does not come in contact with any hot or moving parts.
7. Attach the weather cap to the large plastic plug on the rear vehicle harness.
Note: Install the weather cap when the vibrator is not in use.
8. Route the rear vehicle harness along the driver side frame rail of the vehicle.
9. Route the 4-pin connector into the cab of the vehicle near the dash.
10. Connect the vibrator harness to the control box.



g331679

Figure 4