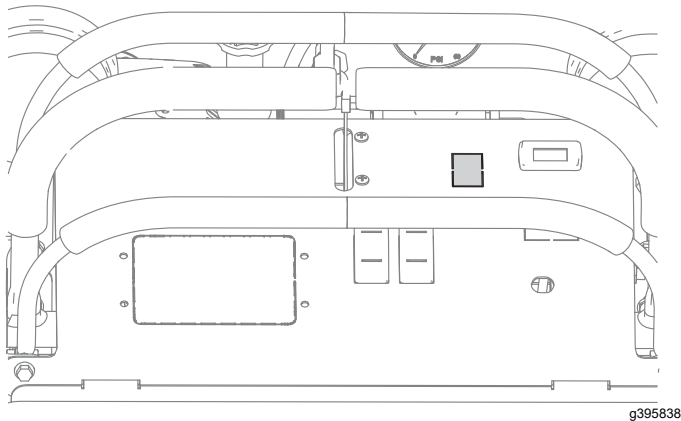


## Setup

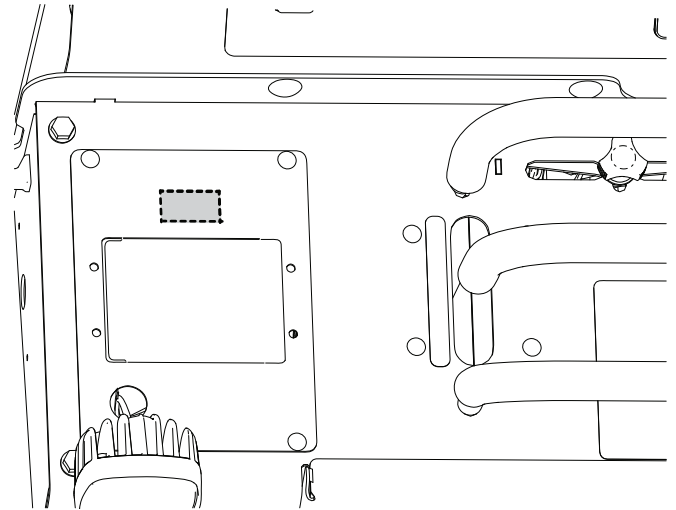
**Note:** Apply dielectric grease to all electrical connections.

Determine the left and right sides of the machine from the normal operating position.

1. Park the machine on a level surface and lower all attachments.
2. Set the parking brake, shut off the engine, wait for all moving parts to stop, and remove the key.
3. Disconnect the negative (-) cable from the battery.
4. Remove the knockout panel on the control panel.

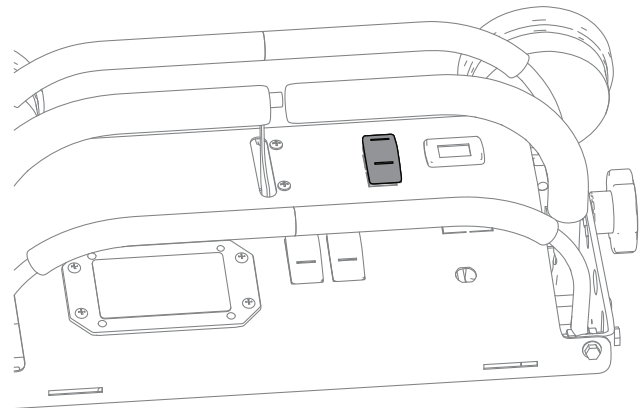


**Figure 1**  
Snowrator

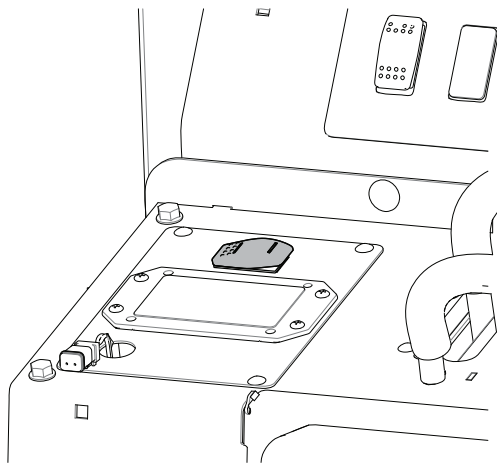


**Figure 2**  
Snowrator MAG

5. Install the switch.

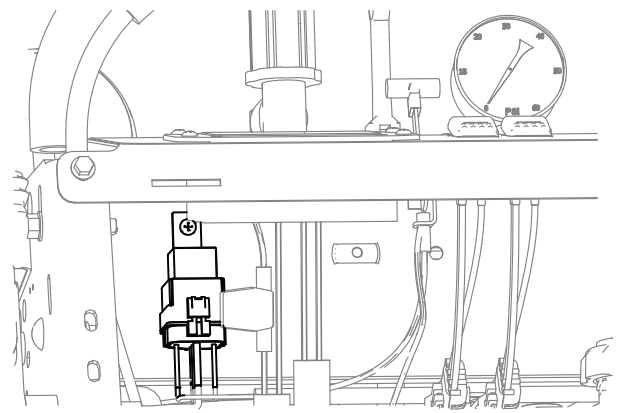


**Figure 3**  
Snowrator



**Figure 4**  
Snowrator MAG

g383798

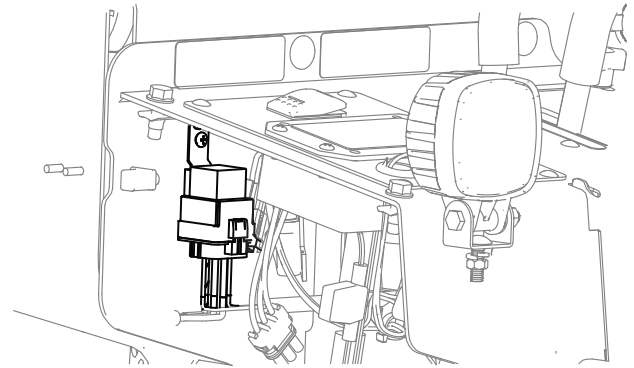


**Figure 5**  
Snowrator

g395530

6. Install the wire harness and mount the relays in the recommended locations.

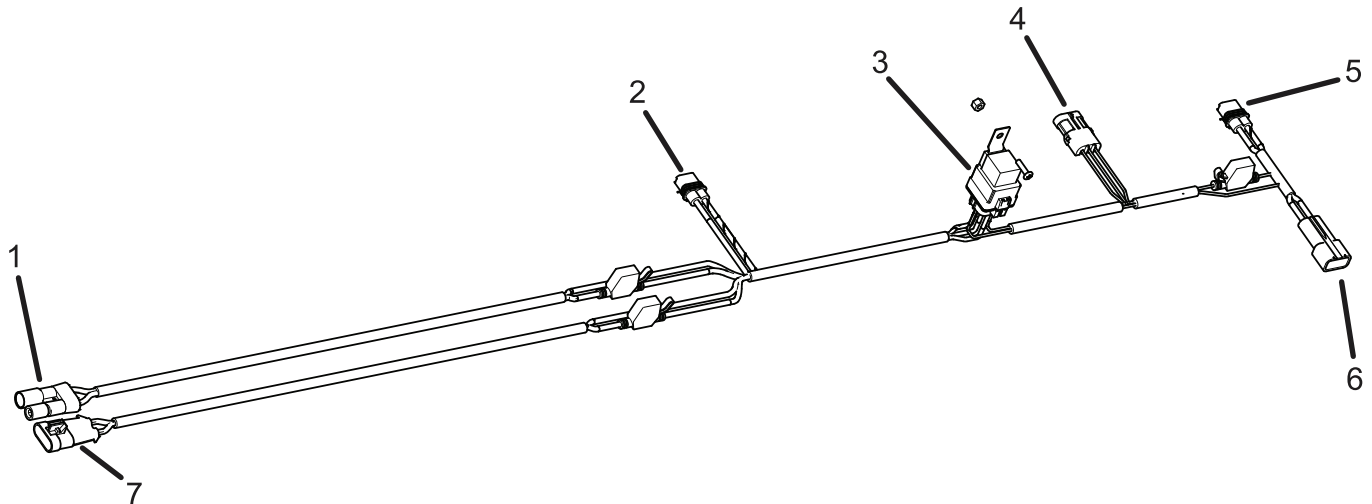
**Important:** Ensure that all wiring is secured in a position that avoids hot or moving parts to prevent damage to the vehicle or spreader.



**Figure 6**  
Snowrator MAG

g395532

7. Secure the wire harness with cable ties.



**Figure 7**

g395531

1. Connect to the drop spreader (male)
2. Connect to the motor output (female).
3. Relay
4. Connect to the spreader switch (male).
5. Connect to the controller power input (female).
6. Connect to the main harness (male) labeled Spinner on the Snowrator and Drop/Broadcast spreader on the Snowrator MAG.
7. Connect to the broadcast spreader (male).