

BOSS Products limited consumer warranty and BOSS Products commercial warranty policies are located at www.BOSSPlow.com.

Safety

- Always follow the vehicle manufacturer's recommendations relating to system installation. For recommended vehicle models, refer to the *BOSS Snowplow Application Chart and Selection Guide*.
- Never disable, remove, or relocate any sensors or other components related to the operation of the air bags.
- To comply with federal regulations and to assure a safe vehicle, do not exceed the front gross-axle-weight rating (FGAWR), rear gross-axle-weight rating (RGAWR), and the gross-vehicle-weight rating (GVWR) at any time.
- Due to the variety of equipment that you can install on the vehicle and undercarriage, do not exceed the front gross-axle-weight rating (FGAWR), rear gross-axle-weight rating (RGAWR), and the gross-vehicle-weight rating (GVWR) at any time. This may require weighing the vehicle and adding ballast as necessary. It may also limit the payload capacity of the vehicle.

Installation

Determine the left and right sides of the machine from the normal operating position.

1. Park the machine on a level surface, shut off the engine, wait for all moving parts to stop, engage the parking brake, and remove the key.
2. Remove the existing fasteners from the bottom of the vehicle front bumper.
3. Align the skid plate holes with the front bumper holes.
4. Use the holes in the face of the skid plate to drill holes through the bumper.
5. Use 2 bolts (M10), 2 flange nuts (M10), 2 hex-head bolts (3/8 inch), 2 washers, and 2 nuts (3/8 inch) to loosely secure the skid plate to the bumper ([Figure 1](#)).

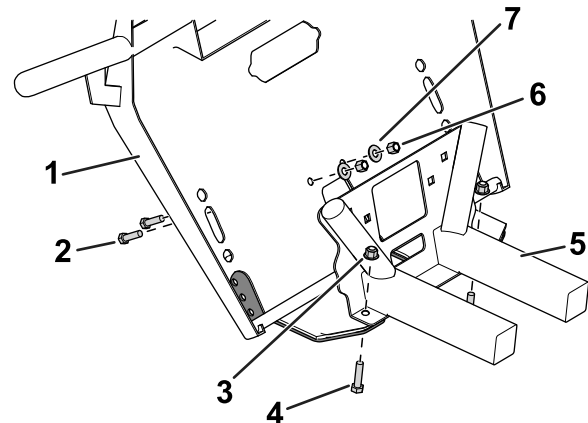


Figure 1

g248458

- | | |
|-----------------------------|-------------------|
| 1. Bumper | 5. Vehicle frame |
| 2. Hex-head bolt (3/8 inch) | 6. Nut (3/8 inch) |
| 3. Flange nut (M10) | 7. Washer |
| 4. Bolt (M10) | |

6. Use 4 carriage bolts (3/8 inch), 4 washers, 4 nuts (3/8 inch) and 2 spacers to loosely secure the support mounts to the vehicle frame ([Figure 2](#)).

If your vehicle is equipped with a winch, use the notched spacers.

Note: [Figure 2](#) illustrates the full spacer included in this kit. Use the appropriate set of spacers for your vehicle.

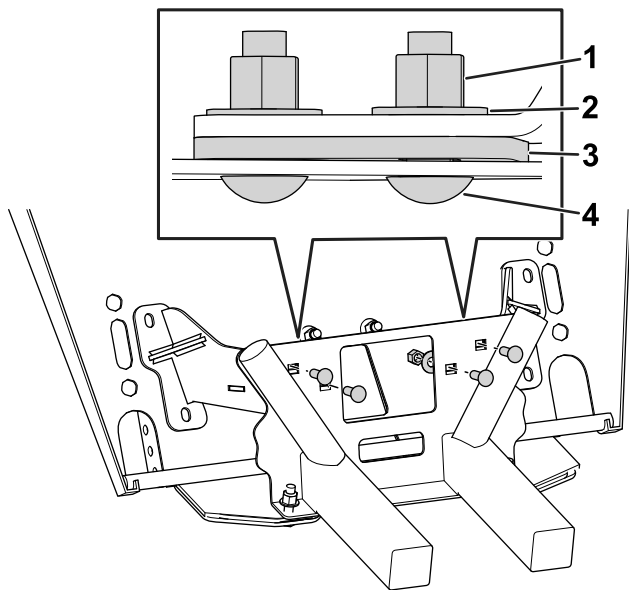


Figure 2

g249173

- | | |
|-------------------|-----------------------------|
| 1. Nut (3/8 inch) | 3. Full spacer |
| 2. Washer | 4. Carriage bolt (3/8 inch) |

7. Use 4 hex-head bolts (3/8 inch) and 4 nuts (3/8 inch) to loosely secure the front of the skid plate and the support mounts to the bumper ([Figure 3](#)).

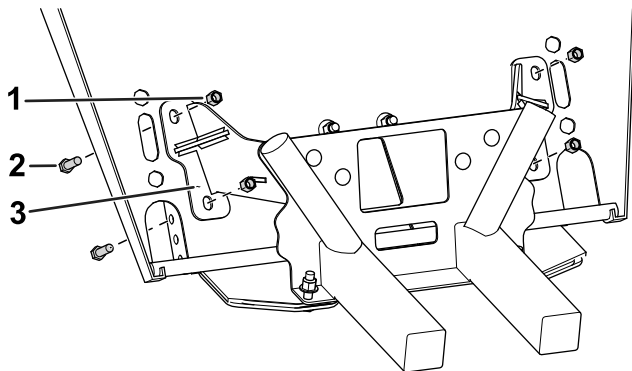


Figure 3

g249172

- | | |
|-----------------------------|------------------|
| 1. Nut (3/8 inch) | 3. Support mount |
| 2. Hex-head bolt (3/8 inch) | |

8. Use 6 hex-head bolts (3/8 inch), 6 nuts (3/8 inch), 4 hex-head bolts (1/2 inch), and 4 nuts (1/2 inch) to loosely secure the pushbeam assembly to the skid plate ([Figure 4](#)).

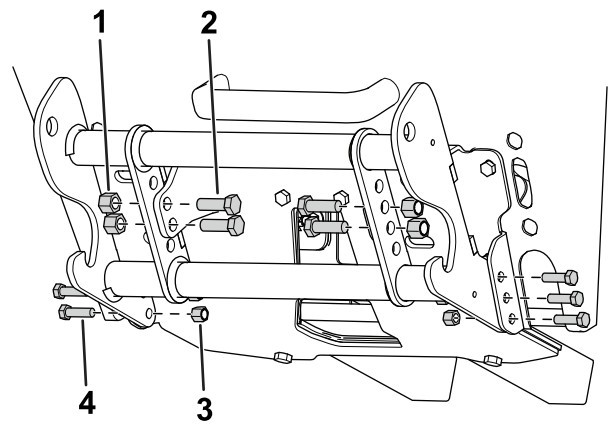


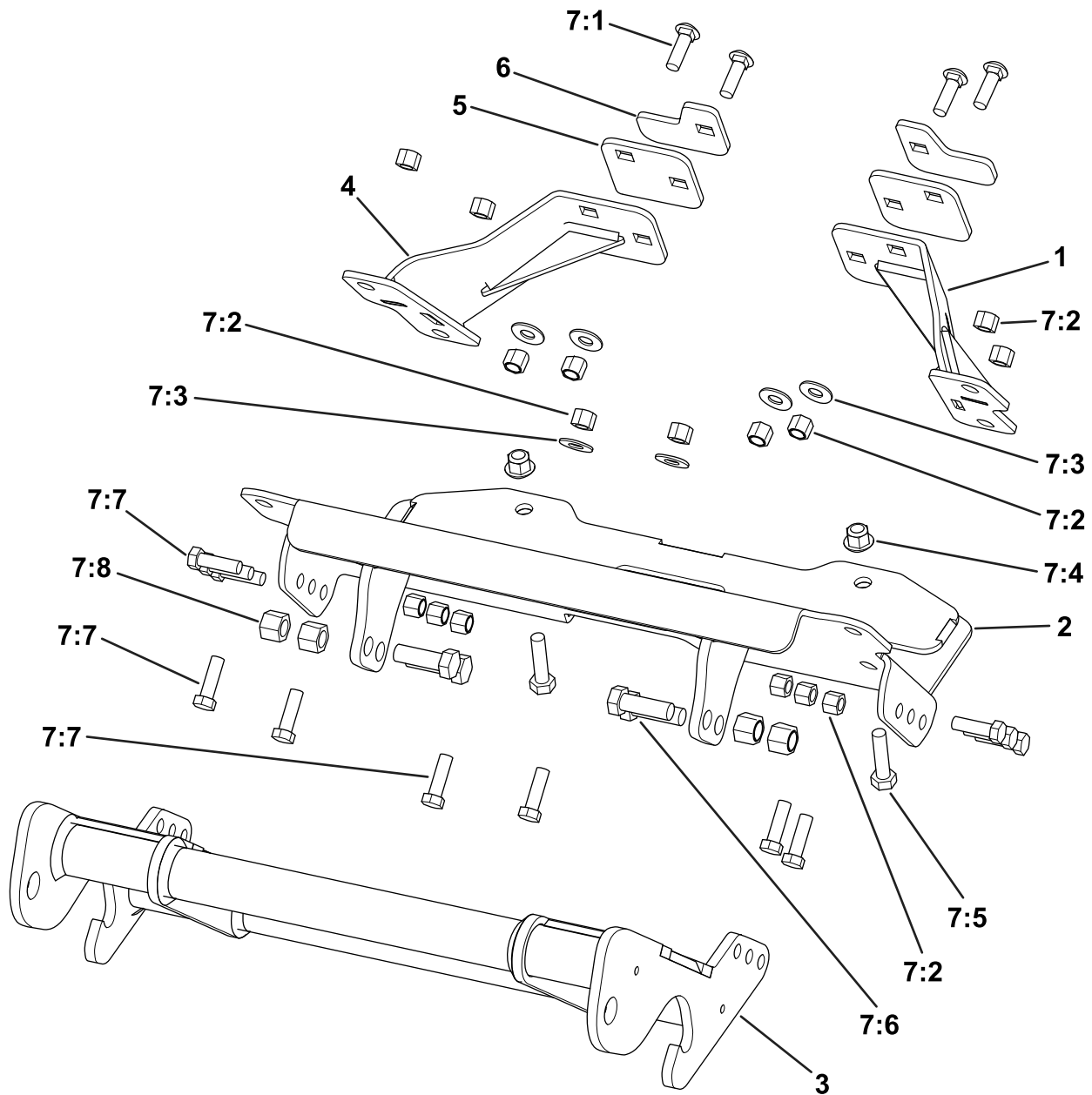
Figure 4

g249174

- | | |
|-----------------------------|-----------------------------|
| 1. Nut (1/2 inch) | 3. Nut (3/8 inch) |
| 2. Hex-head bolt (1/2 inch) | 4. Hex-head bolt (3/8 inch) |

9. Torque all the fasteners to the following specifications:

- 3/8-inch bolts: 31 N·m (23 ft-lb)
- 1/2-inch bolts: 76 N·m (56 ft-lb)
- M10 bolts: 66 N·m (49 ft-lb)



Parts

g253615

Ref.	Part Number	Qty.	Description	Ref.	Part Number	Qty.	Description
1	LTA12386	1	SUPPORT MOUNT, DRIVER SIDE	7:1	HDW05576	4	BOLT, CARRIAGE, 3/8-16 X 1-1/4, GR5, YZN
2	LTA12381	1	SKID PLATE ASSEMBLY	7:2	HDW01720	16	NUT, 3/8-16, NYL INS, YZN
3	PBA12535	1	PUSHBEAM	7:3	HDW01733	6	WASHER, 3/8,USS FLAT, YZN
4	LTA12388	1	SUPPORT MOUNT, PASSENGER SIDE	7:4	HDW12379	2	NUT, FLANGE, NYL INS, M10-1.5, YZN
5	LTA12394	2	SPACER, FULL	7:5	HDW12378	2	HHCS, M10-1.5 X 40MM, GR8.8, ZN
6	LTA12392	2	SPACER, NOTCHED	7:6	HDW01728	4	HHCS, 1/2-13 X 1-1/2, NC, GR5, YZN
7	HDW12385	1	FASTENER KIT	7:7	HDW01771	12	HHCS, 3/8-16 X 1-1/4, NC, GR5, YZN
				7:8	HDW01748	4	NUT, 1/2-13, NYL INS, YZN

BOSS
S N O W P L O W