

### Installation Instructions

BOSS Products limited consumer warranty and BOSS Products commercial warranty policies are located at [www.BOSSPlow.com](http://www.BOSSPlow.com).

Patent [www.ttcopats.com](http://www.ttcopats.com).

## Installation

**Note:** Kit MSC12243 is required for plows from 2011 or older.

**Note:** Headlights are for off road use only.

1. Park the machine on a level surface and shut off the engine.
2. Install the brackets to the holes on the coupler ensuring that the top of the bracket is parallel to the ground.
3. If both holes are not present:
  - A. Secure the brackets using the existing hole.
  - B. Mark the holes to be drilled.
  - C. Remove the brackets.
  - D. Drill the holes.
  - E. Install the brackets.
4. Install the light assemblies.

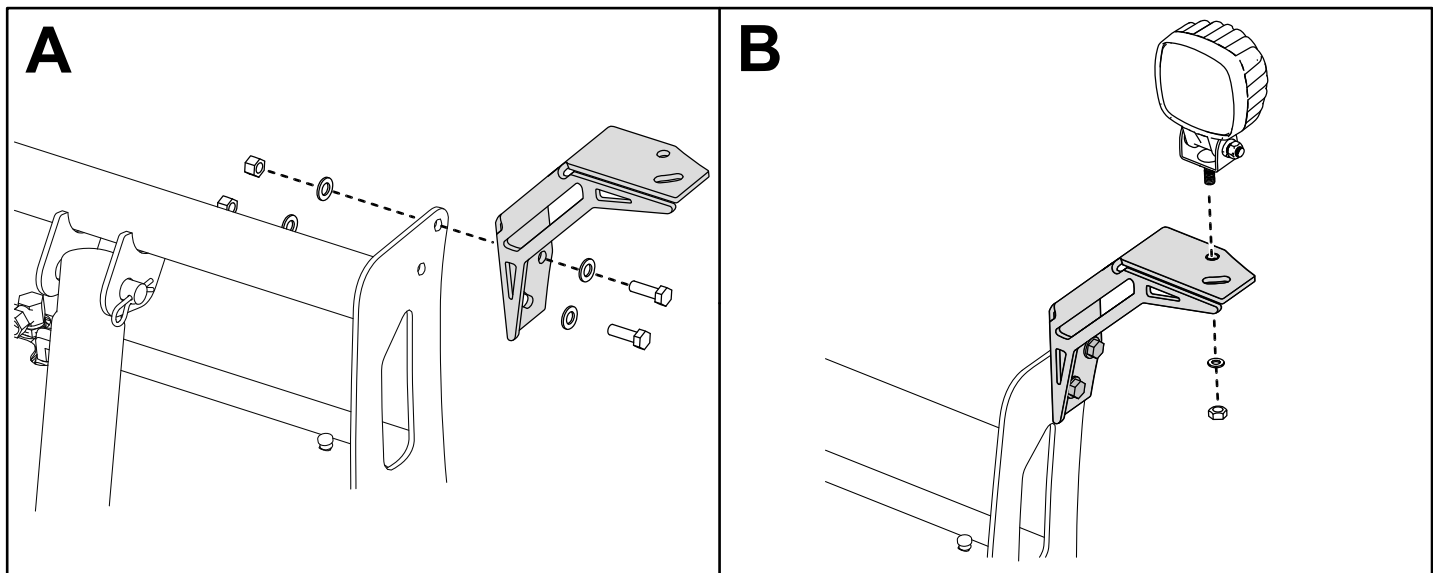
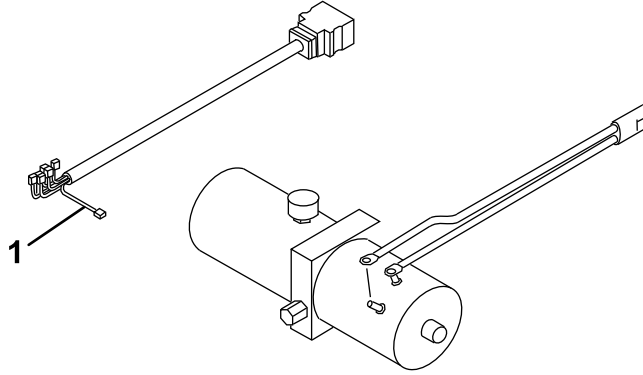


Figure 1

g321962



5. Plug the light harness into the headlights with the longer lead of the harness going to the passenger side headlight.
6. Route the loose end of the harness into the coupler through the grommet at the back of the coupler.

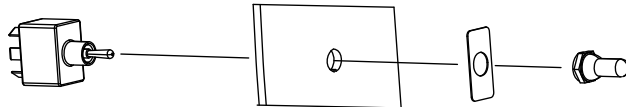


**Figure 2**

g322067

1. Black/yellow wire

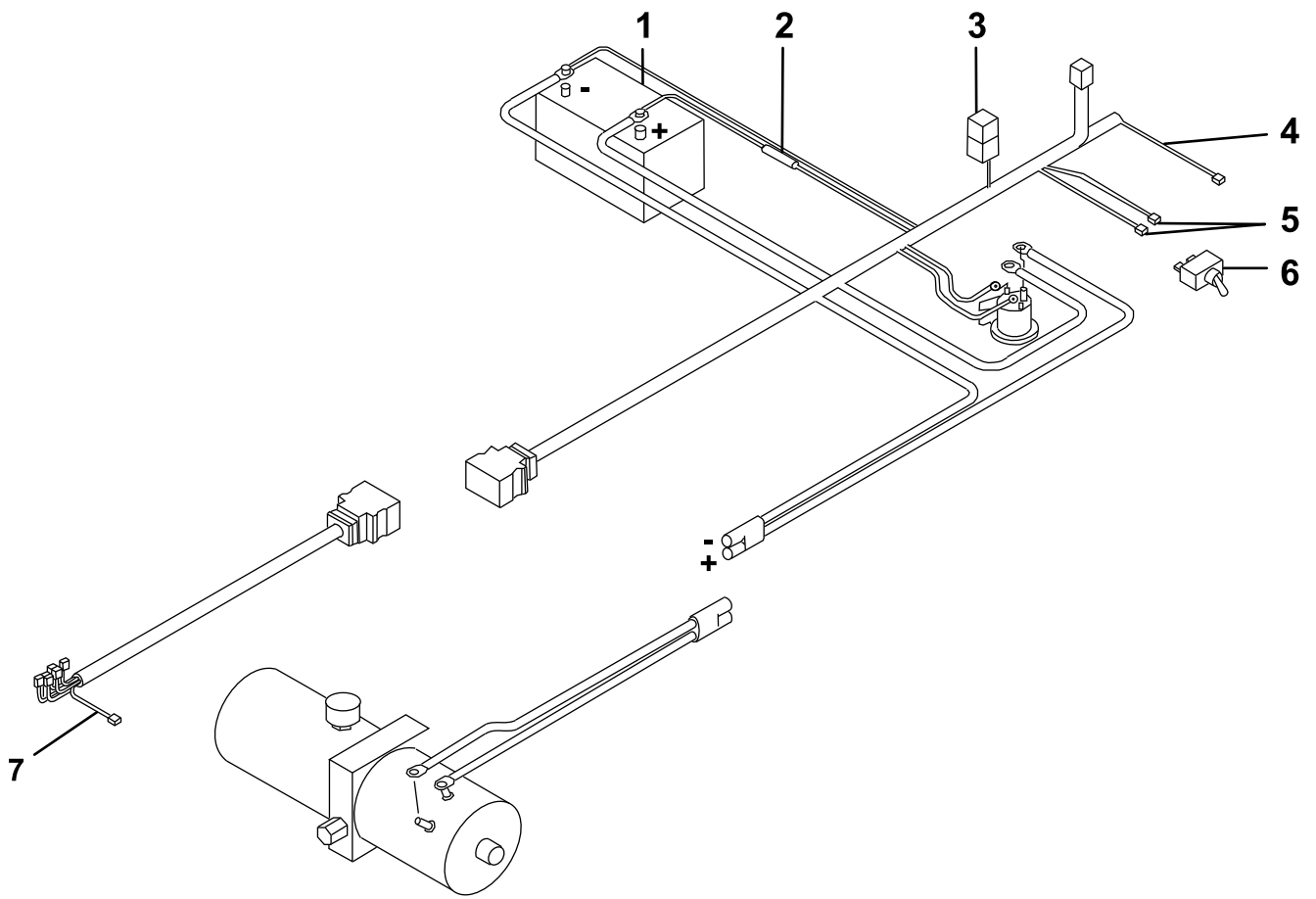
- 
7. Plug the black/yellow wire of the light harness into the black/yellow wire of the existing harness.
  8. Plug the brown wire of the light harness into the brown wire of the existing ground strap on the hydraulic valve block.
  9. Locate an easily accessible place on the dash to mount the switch.
  10. Mark and drill a 1/2 inch hole.
  11. Install the switch.



**Figure 3**

g322018

- 
12. Attach the 2 remaining wires to the back of the headlight switch. The location of the wires does not matter.
  13. Start the machine, raise the plow, and aim the headlights so that the beams are level.



**Figure 4**

g322068

- |                    |                                 |
|--------------------|---------------------------------|
| 1. Vehicle battery | 5. Black and Black/yellow wires |
| 2. In-line fuse    | 6. Switch                       |
| 3. Relay           | 7. Black/yellow wires           |
| 4. Black/red wire  |                                 |

**BOSS**  
S N O W P L O W