

BOSS Products limited consumer warranty and BOSS Products commercial warranty policies are located at www.BOSSPlow.com.

Safety

- Always follow the vehicle manufacturer's recommendations relating to system installation.
- Due to the variety of equipment that you can install using the undercarriage, ensure that the gross-vehicle-weight rating (GVWR) is not exceeded at any time. You may need to weigh the vehicle and add ballast or limit the payload of the vehicle to compensate.

Installation

Determine the left and right sides of the machine from the normal operating position.

1. Park the machine on a level surface, shut off the engine, wait for all moving parts to stop, engage the parking brake, and remove the key.
2. Remove and retain the 2 fasteners from the underside of the vehicle front bumper.
3. Align the undercarriage skidplate with the vehicle front bumper and loosely secure it using the previously removed fasteners (Figure 1).

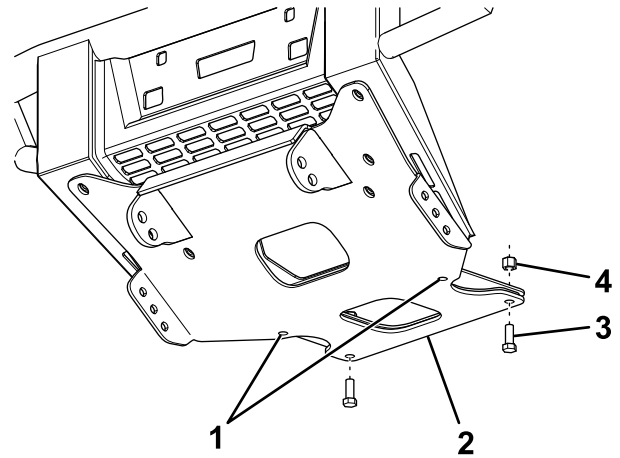


Figure 1

g286960

- | | |
|---|-----------------------|
| 1. Install the existing fasteners here. | 3. Bolt (3/8 inch) |
| 2. Undercarriage skidplate | 4. Locknut (3/8 inch) |

4. Loosely secure the rear of the undercarriage skidplate to the vehicle using 2 bolts (3/8 inch) and locknuts (Figure 1).
5. If you are installing the undercarriage on a vehicle without a winch, continue to step 8. If you are installing the undercarriage onto a vehicle with a winch, remove the lower left bolt on the winch.
6. Align the left support plate with the square holes in the vehicle frame and the bottom mounting hole of the winch.

7. Insert a spacer between the left support plate and the vehicle frame, then continue to step 9.
- Note:** Only 1 of the spacer holes will be aligned.
8. Align the left support plate and a spacer with the square holes in the vehicle frame.
 9. Secure the left support plate and spacer to the vehicle frame using 2 carriage bolts (3/8 inch) locknuts (Figure 2).

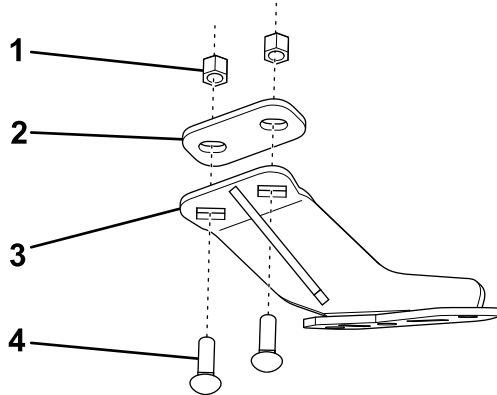


Figure 2

g347598

- | | |
|-----------------------|-----------------------------|
| 1. Locknut (3/8 inch) | 3. Support plate |
| 2. Spacer | 4. Carriage bolt (3/8 inch) |

10. Secure the undercarriage skidplate to the vehicle and left support plate using 3 bolts (3/8 inch), 6 washers, and 3 locknuts (Figure 3).

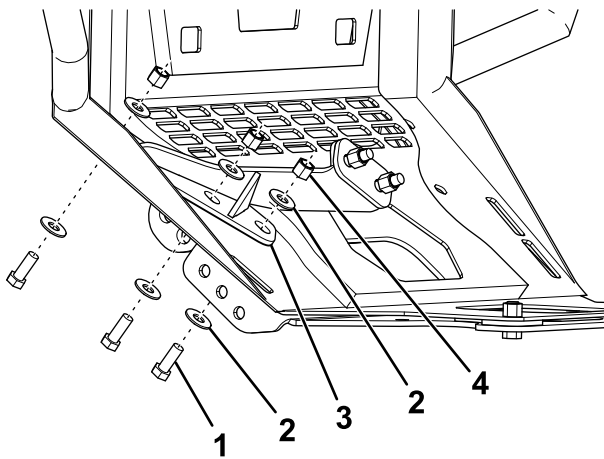


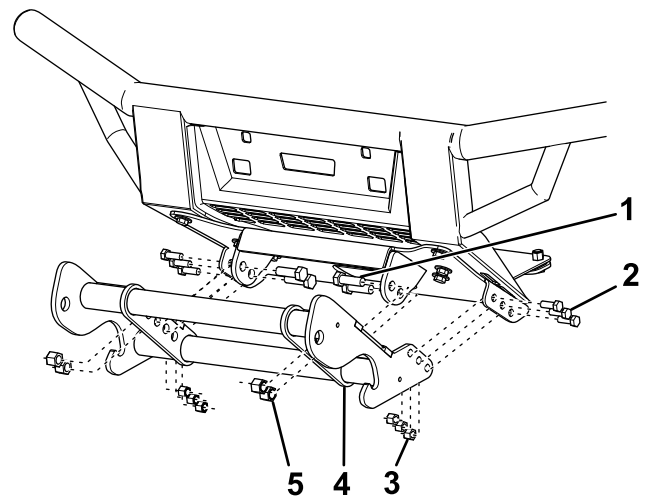
Figure 3

g347597

- | | |
|--------------------|-----------------------|
| 1. Bolt (3/8 inch) | 3. Support plate |
| 2. Washer | 4. Locknut (3/8 inch) |

11. Repeat steps 5 through 10 for the right side.
12. Loosely attach the side mounts of the pushbeam assembly to the skid plate using 6 bolts (3/8 inch) and locknuts (Figure 4).

Note: Refer to your plow *Owner's Manual* for the appropriate pushbeam height.



g286963

Figure 4

- | | |
|-----------------------|-----------------------|
| 1. Bolt (1/2 inch) | 4. Pushbeam assembly |
| 2. Bolt (3/8 inch) | 5. Locknut (1/2 inch) |
| 3. Locknut (3/8 inch) | |

13. Loosely attach the inside of the pushbeam assembly to the skid plate using 4 bolts (1/2 inch) and locknuts (Figure 4).
14. Torque all the fasteners to the following specifications:
 - 3/8-inch bolts to 31 N·m (23 ft-lb)
 - 1/2-inch bolts to 76 N·m (56 ft-lb)

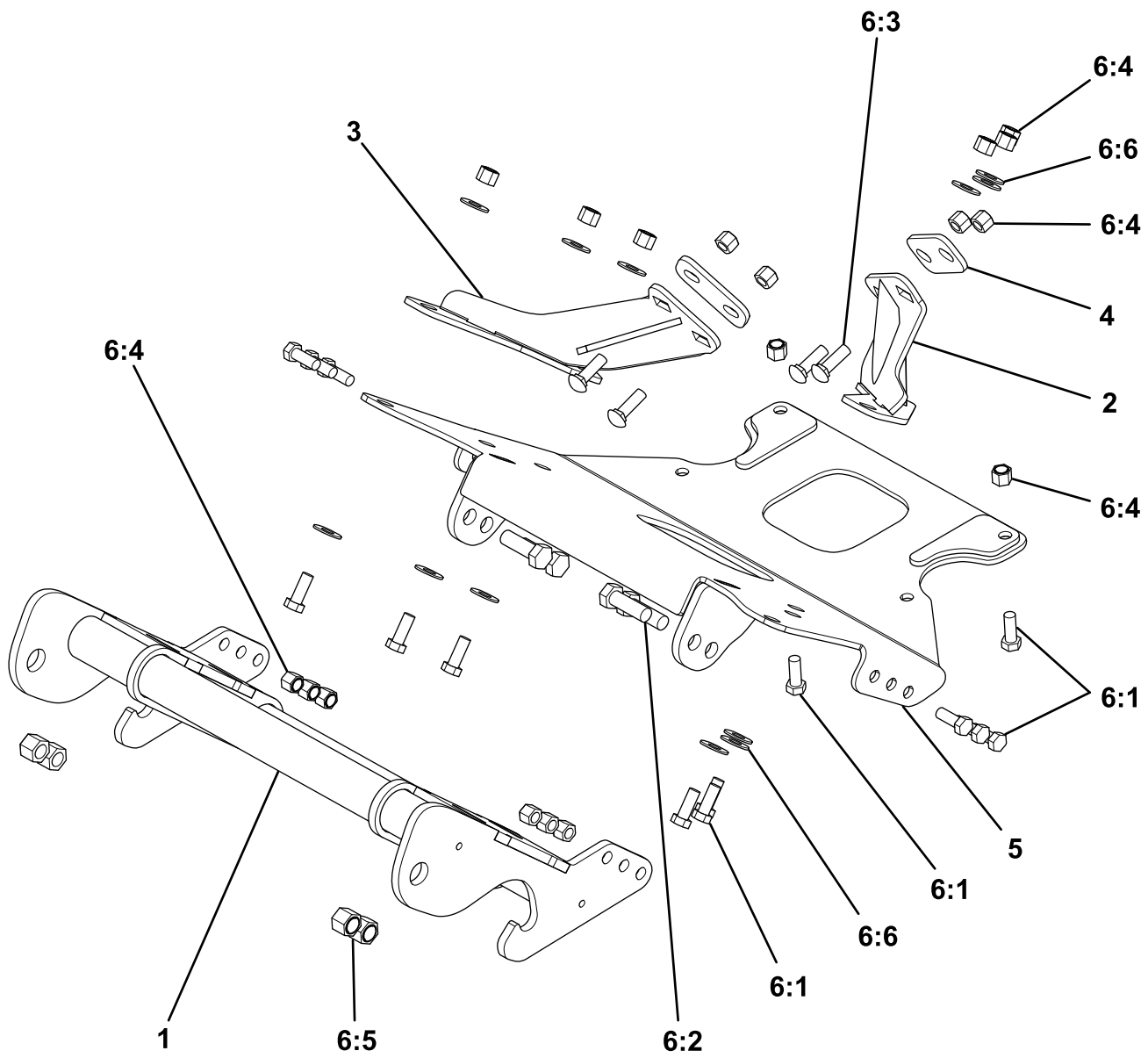


Figure 5

g347609

Ref.	Part Number	Qty.	Description	Ref.	Part Number	Qty.	Description
1	PBA12535	1	PUSHBEAM ASSEMBLY	6:2	HDW01728	4	1/2"-13 X 1-1/2" GR5 HEX HEAD BOLT
2	PBA12890	1	PUSHBEAM SUPPORT PLATE, DRIVER SIDE	6:3	HDW05576	4	3/8"-16 CARRIAGE BOLT
3	PBA12885	1	PUSHBEAM SUPPORT PLATE, PASSENGER SIDE	6:4	HDW01720	18	3/8"-16 NYLON LOCK NUT
4	PBA12721	2	PUSHBEAM SUPPORT PLATE SPACER	6:5	HDW01748	4	1/2"-13 NYLON LOCK NUT
5	LTA12695	1	SKID PLATE ASSEMBLY	6:6	HDW01733	12	3/8" FLAT WASHER
6	HDW12724	1	FASTENER KIT, UC, UTV, POLARIS RANGER XP 900, 2013+				
6:1	HDW01717	14	3/8"-16 X 1" GR5 HEX HEAD BOLT				

BOSS
S N O W P L O W