



P.O. Box 787
Iron Mountain, MI 49801
United States

Parts Catalog

Low Flow Hydraulic Kit

Grandstand® Multi Force Snow Machine or Mower

Model No. MSC13950—Serial No. 316000001 and Up



Ordering Replacement Parts

To order replacement parts, please supply the part number, the quantity, and the description of each part desired.

Understanding Reference Numbers

Each identified part in an illustration has a reference number. The reference number for a part also appears in the parts list, along with other information about the part.

This catalog uses two special reference number formats, one to indicate parts in a service assembly and another to indicate the quantity of a given part in an illustration.

Service Assembly Reference Numbers

Parts in service assemblies have reference numbers in the form a:b. The a represents the reference number of the entire service assembly and the b represents a sequential number unique to each part within the service assembly.

For example, a wheel assembly might be identified by reference number 6, the tire by 6:1, the valve by 6:2, and the wheel by 6:3. When you order the assembly identified by reference number 6, you receive all parts identified by reference numbers 6:1, 6:2, and 6:3. However, you may also order any part individually. Reference numbers of this type appear in illustration and in parts lists.

Reference Numbers Indicating Quantity

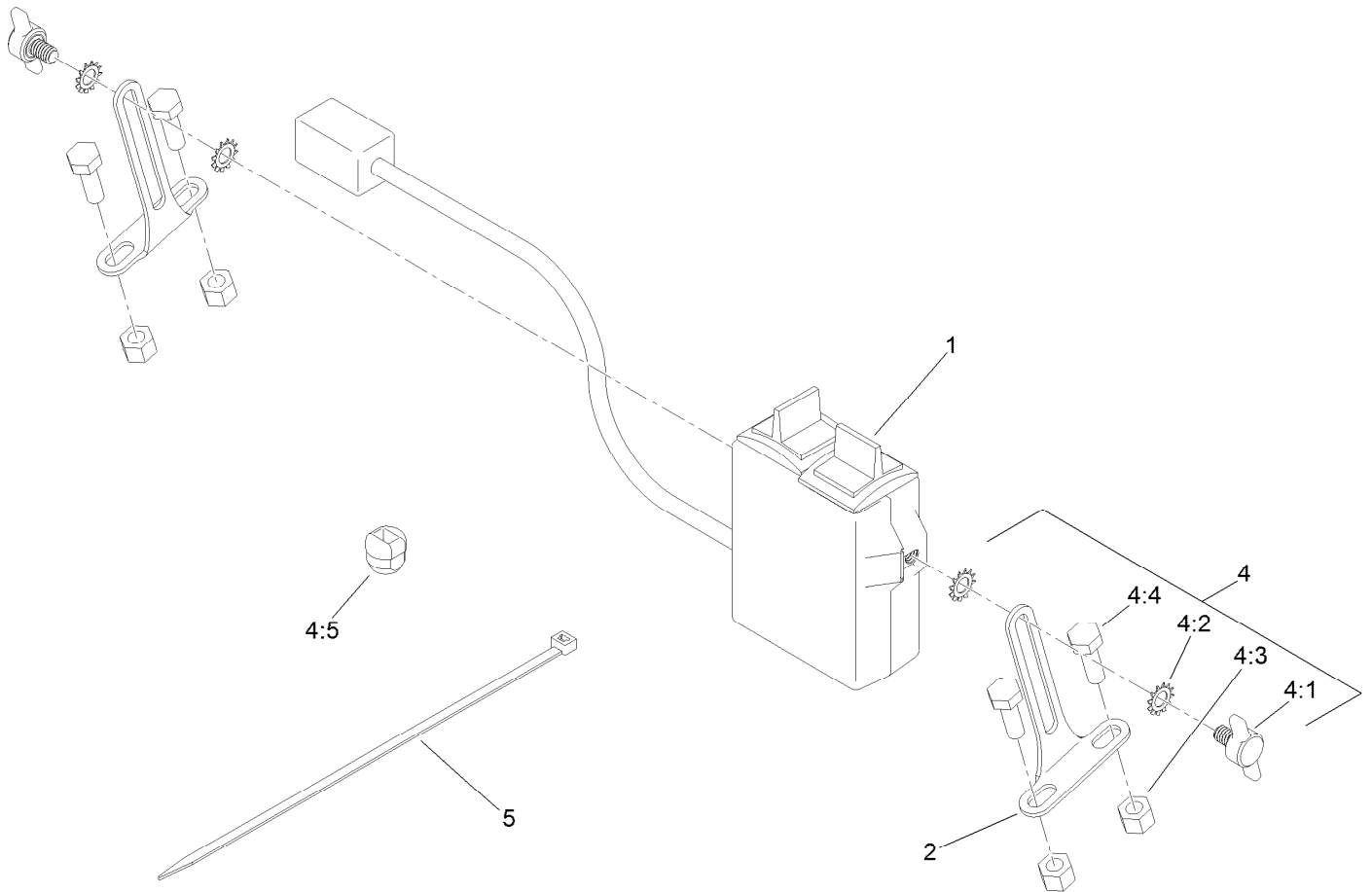
In an illustration, if a reference number indicates more than one part, the reference number has the form nX y. The n represents the quantity of the part, the X is the multiplication symbol, and the y represents the reference number.

For example, in an illustration, the reference number 2X 37 means that two of the parts identified by reference number 37 are indicated.

Contents

Controller Assembly	4
Lift Cylinder and Manifold Assembly	6
Hydraulic Manifold Assembly No. HYD13959	8

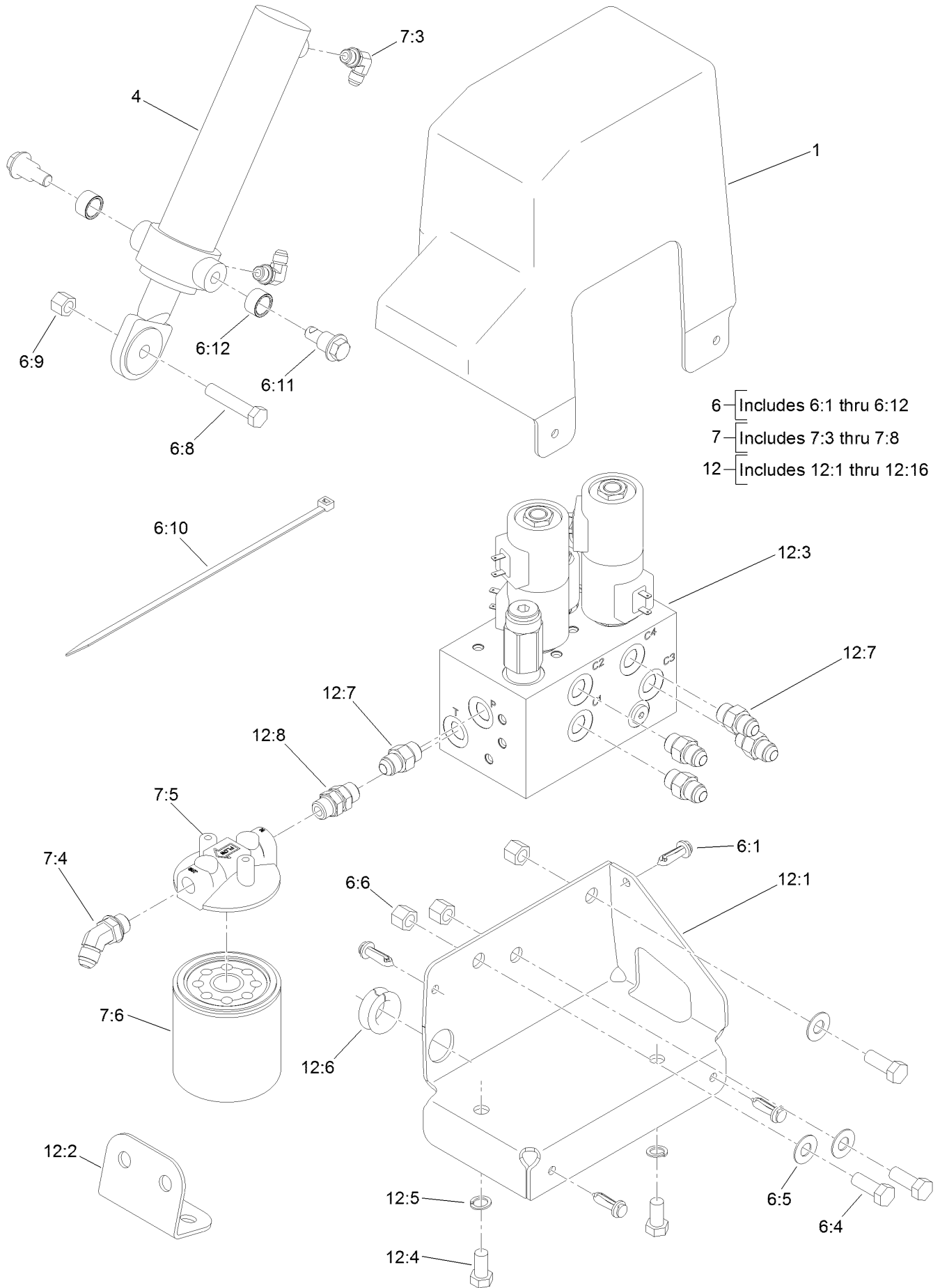
Controller Assembly



Controller Assembly (continued)

<i>Ref.</i>	<i>Part Number</i>	<i>Qty.</i>	<i>Description</i>	<i>Ref.</i>	<i>Part Number</i>	<i>Qty.</i>	<i>Description</i>
1	STB13903	1	Control,Switch Box,Grandstand	4:3	HDW01725	4	Nut,1/4-20,NYL INS,YZN
2	MSC13707	2	Bracket,Lg,ATV/UTV CB	4:4	HDW01751	4	HHCS,1/4-20X3/4,GR5,YZN
4	HDW13929	1	Kit-HDW,ELECT,Grandstand	4:5	MSC13953	1	Strain Relief,.625 DIA X .125 Panel T
4:1	HDW13714	2	Thumb Screw,1/4-20 X 7/16,ATV CB	5	MSC04088	1	Cable Ties, (15) Count, 50#, 15-1/2,
4:2	HDW13711	4	Star Washer 1/4,ATV CB				

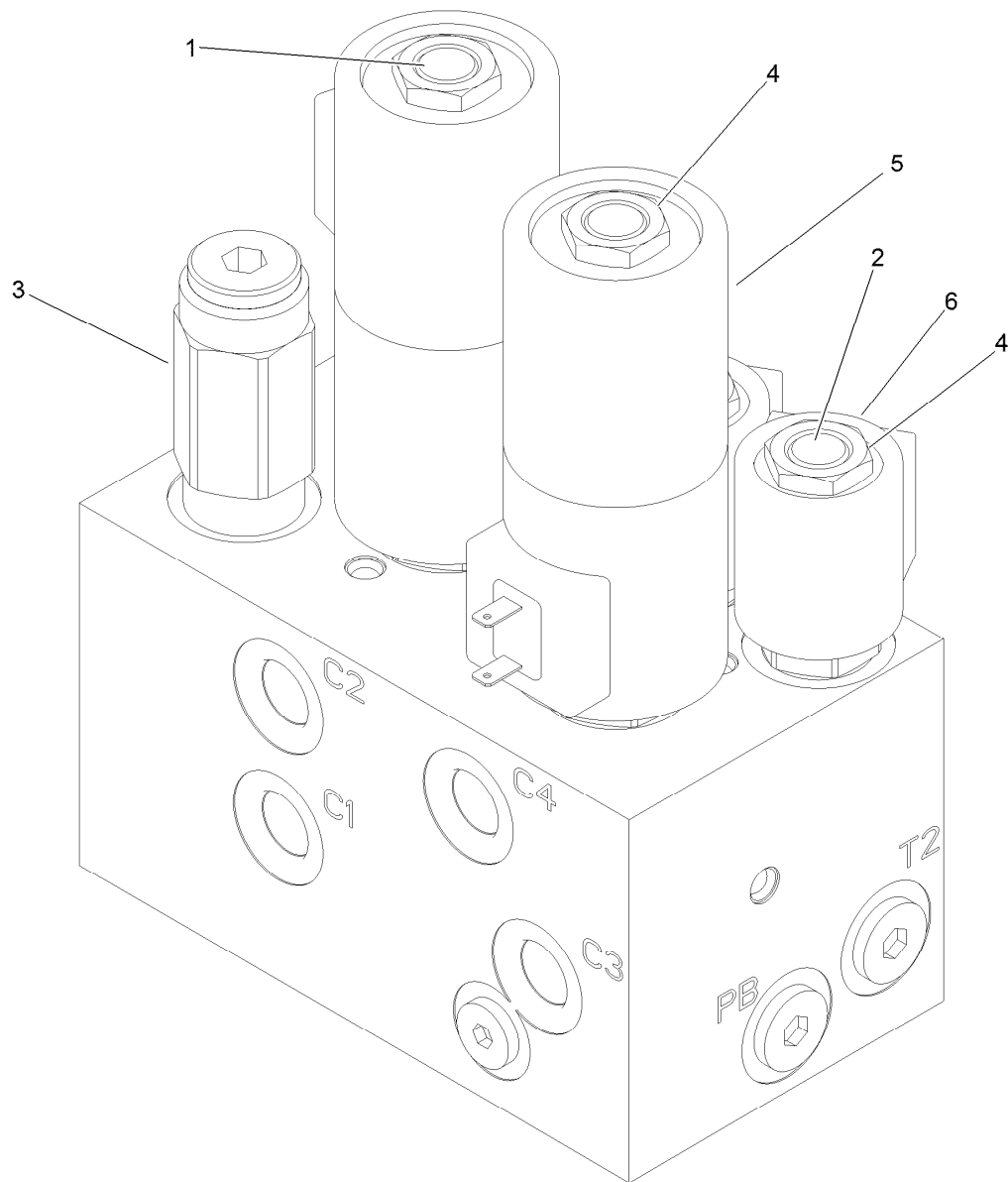
Lift Cylinder and Manifold Assembly



Lift Cylinder and Manifold Assembly (continued)

<i>Ref.</i>	<i>Part Number</i>	<i>Qty.</i>	<i>Description</i>	<i>Ref.</i>	<i>Part Number</i>	<i>Qty.</i>	<i>Description</i>
1	HYD13941	1	Cover,Manifold,Grandstand	12:2	HYD13943-03	1	Mounting Bracket,Bulkhead
4	HYD13944	1	Cylinder,Lift,2X8	12:3	HYD13959	1	Manifold,HYD,CONT. Flow,2 CYL
6	HDW13946	1	Kit-HDW,Grandstand,Vehicle Side	12:4	HDW01743	2	HHCS,3/8-16X3/4 GR5 PLT
6:1	HDW17303	4	Tuflok Rivet	12:5	HDW01718	2	Washer,3/8,Split Lock,YZN
6:4	HDW01717	5	HHCS,3/8-16X1 NC GR5 PLT	12:6	TGS05834	1	Grommet,3/4 ID X 1OD X 1/4Groove,TGS
6:5	HDW05859	3	Washer,Flat,3/8ST/ST 18-8	12:7	HYD13932	5	Fitting,Straight,6-MORB X 6-M37JIC
6:6	HDW01720	5	Nut,3/8-16,NYL INS,YZN	12:8	HYD13933	1	Fitting,Straight,6-MORB X 6-MORB
6:8	HDW05917	1	HHCS,1/2-13X2-1/2,GR5,PLT	12:9	HYD13939	2	Hose,1/4FJIC X 3/8FJIC90 X 37 ●
6:9	HDW01748	1	Nut,1/2-13,NYL INS,YZN	12:10	HYD13940	2	Hose,3/8FJIC X 3/8FJIC90 X 50 ●
6:10	MSC04088	1	Cable Ties, (15) Count, 50#, 15-1/2,	12:11	HYD13159	2	Fitting,Bulkhead,1/4MJIC X 1/4MNPT ●
6:11	HDW13947	2	Bolt,Shoulder,Pivot	12:12	HYD13160	1	Fitting,Quick Connect,Female,1/4FNPT ●
6:12	HDW13948	2	Bushing,.75X.75	12:13	HYD13161	1	Fitting,Quick Connect,Male,1/4FNPT ●
7	HYD13931	1	Kit-Hose,Grandstand,Vehicle Side	12:14	HYD12231	1	Dust Cap,Female,Quick Connect,UTV ●
7:3	HYD13925	2	Fitting,90,6-MORB X 6-M37JIC	12:15	HYD12230	1	Dust Plug,Male,Quick Connect,UTV ●
7:4	HYD13934	1	Fitting,45,6-MORB X 6-M37JIC	12:16	MSC13901	1	Control Harness, Grandstand ●
7:5	HYD13935	1	Head,Filter,-06Orb				
7:6	HYD13936	1	Element,Filter,Winter				
7:7	HYD13937	1	Hose,1/2FORF 90 Short X 3/8FJIC X 38 ●				
7:8	HYD13938	1	Hose,1/2FORF 90 Long X 3/8FJIC X 45 ●				
12	MSC13955	1	Manifold ASM,Grandstand				
12:1	HYD13942-03	1	Bracket,HYD MAN,Grandstand				

● Not illustrated



Hydraulic Manifold Assembly No. HYD13959

<i>Ref.</i>	<i>Part Number</i>	<i>Qty.</i>	<i>Description</i>
1	HYD13974	2	Valve,3 Position,4 Way,Open Center
2	HYD13975	2	Valve,2 Way,Normally Closed
3	HYD13976	1	Valve,Relief(1250 Psi)
4	HYD07059	2	Nut,Coil,Solenoid Valve HYD01637/07029
5	HYD07030	2	Coil,Hydraulic Valve (12V System) Sae#10
6	HYD01638	4	Coil,Hydraulic Valve (12V System) Sae#8

Notes:

Notes:

Notes:

