

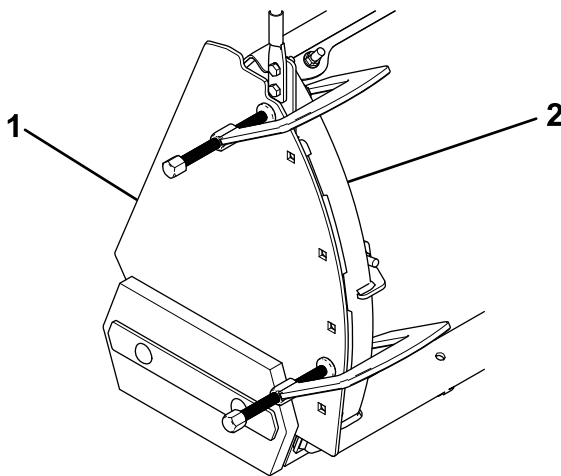
BOSS Products limited consumer warranty and BOSS Products commercial warranty policies are located at [www.bossplow.com](http://www.bossplow.com).

Patents pending.

## Installation

Determine the left and right sides of the machine from the normal operating position.

1. Park the vehicle on a level surface, lower the plow, shut off the engine, engage the parking brake, and remove the key.
2. Line up the left sideplate assembly with the left outer plow rib and secure it in place with clamps ([Figure 1](#)).



**Figure 1**

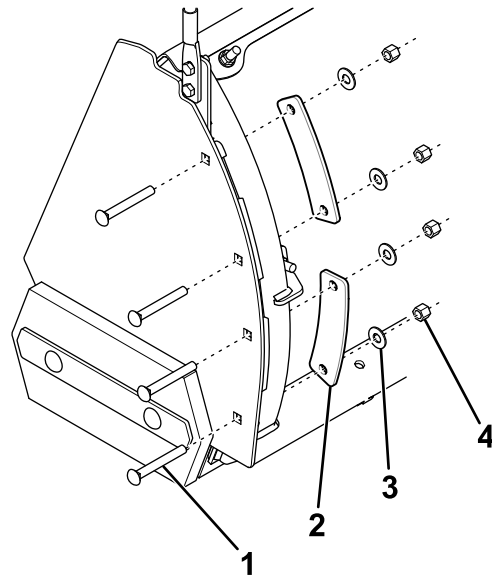
g262711

1. Sideplate
2. Outer plow rib

3. Using the holes in the sideplate as a guide, drill 4 holes (3/8 inch) in the outer plow rib ([Figure 1](#)).
4. Loosely secure the sideplate to the plow rib using 2 rib plates, 4 bolts, washers, and locknuts ([Figure 2](#)).

## Safety

Installing this kit changes the weight of your plow. Ensure that your vehicle does not exceed the gross-vehicle-weight rating (GVWR) at any time. You may need to weigh the vehicle and add ballast or limit the payload of the vehicle to compensate.



**Figure 2**

g262712

- |              |            |
|--------------|------------|
| 1. Bolt      | 3. Washer  |
| 2. Rib plate | 4. Locknut |

5. Repeat steps 2 through 4 for the right side.
6. Torque the fasteners to 31 N·m (23 ft·lb).