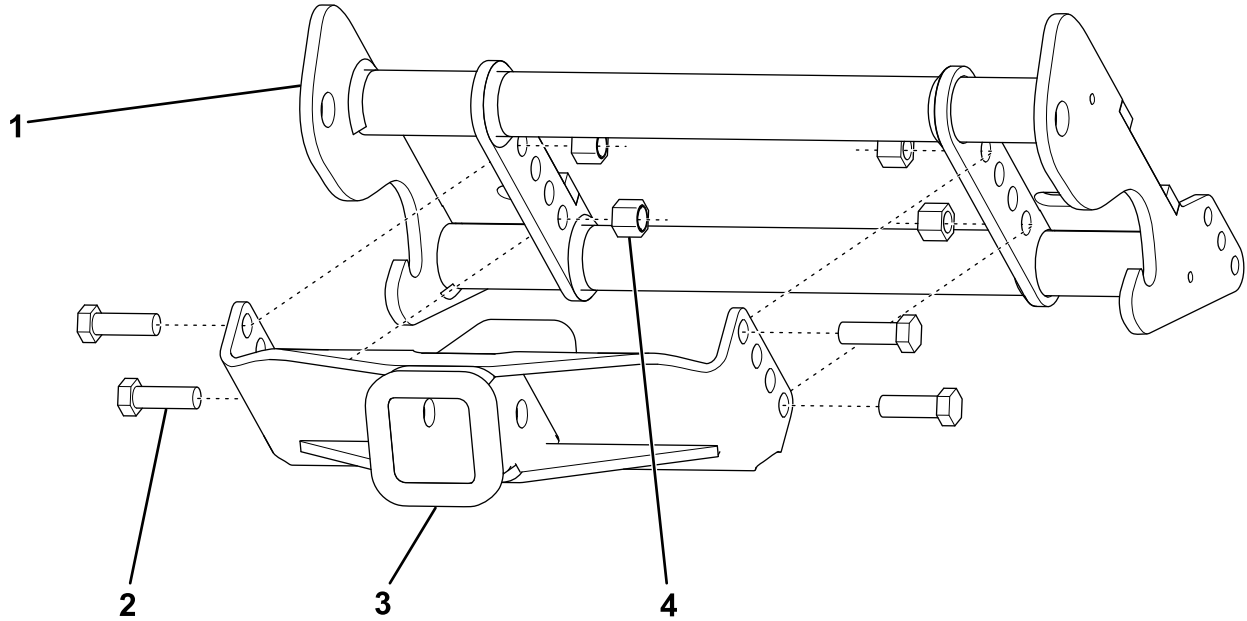


**Installation Instructions**

1. Secure the front hitch to the UTV undercarriage using 4 bolts and locknuts (Figure 1).
2. Torque the fasteners to 76 N·m (56 ft-lb).



**Figure 1**

g261748

- |                  |                |
|------------------|----------------|
| 1. Undercarriage | 3. Front hitch |
| 2. Bolt          | 4. Locknut     |

