

BOSS Products limited consumer warranty and BOSS Products commercial warranty policies are located at www.BOSSPlow.com.

Patent www.ttcopats.com.

Safety

- Always follow the vehicle manufacturer's recommendations relating to system installation.
- Due to the variety of equipment that you can install using the undercarriage, ensure that the gross-vehicle-weight rating (GVWR) is not exceeded at any time. You may need to weigh the vehicle and add ballast or limit the payload of the vehicle to compensate.

Installation

Note: Determine the left and right sides of the machine from the normal operating position.

1. Park the machine on a level surface, shut off the engine, wait for all moving parts to stop, engage the parking brake, and remove the key.
2. Install the skid plate assembly to the frame. Loosely install 2 bolts, 4 washers, and 2 nuts that secure the skid plate to the frame.

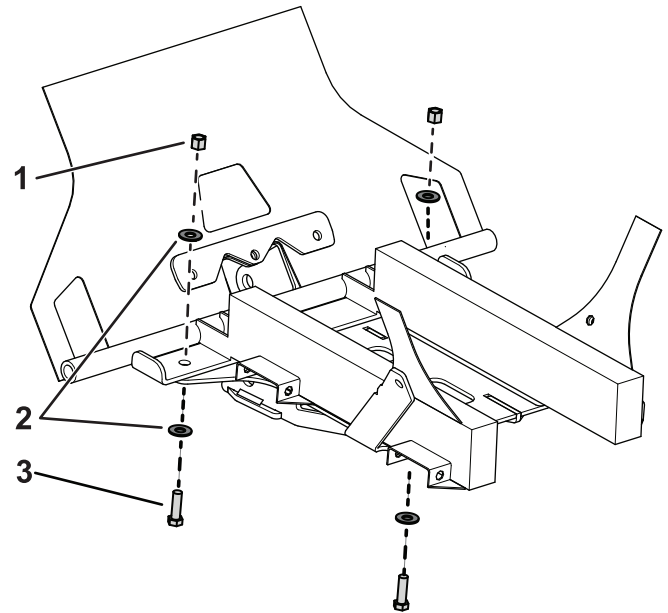


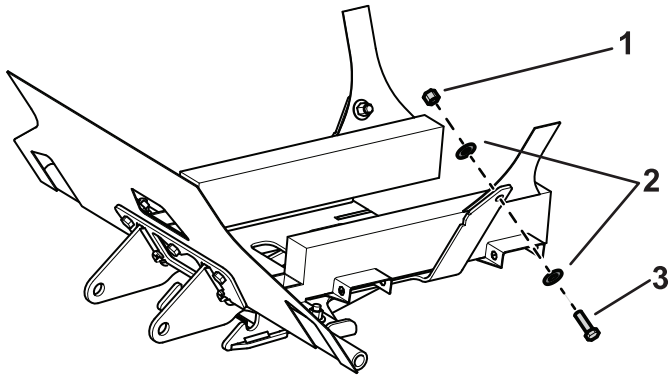
Figure 1

g438755

1. Nut
2. Washer
3. Bolt



- Loosely install the 2 bolts, 4 washers, and 2 nuts that secure the rear of the skid plate to the frame.



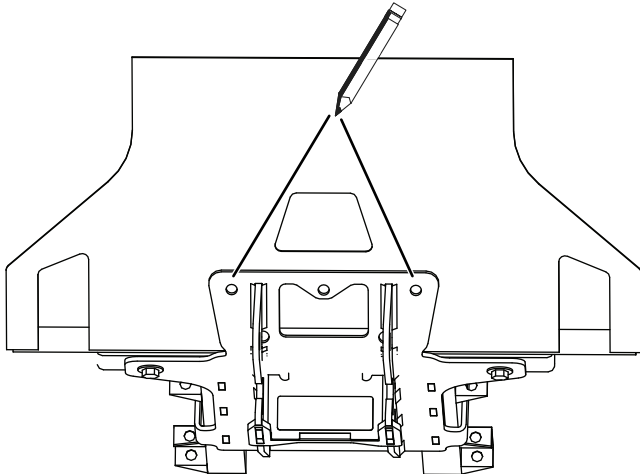
g438776

Figure 2

Left side of vehicle shown

- | | |
|-----------|---------|
| 1. Nut | 3. Bolt |
| 2. Washer | |

- Mark the 2 hole locations on the front bumper.



g438773

Figure 3

- Use a 7/16 inch drill bit to drill through the 2 marked hole locations.

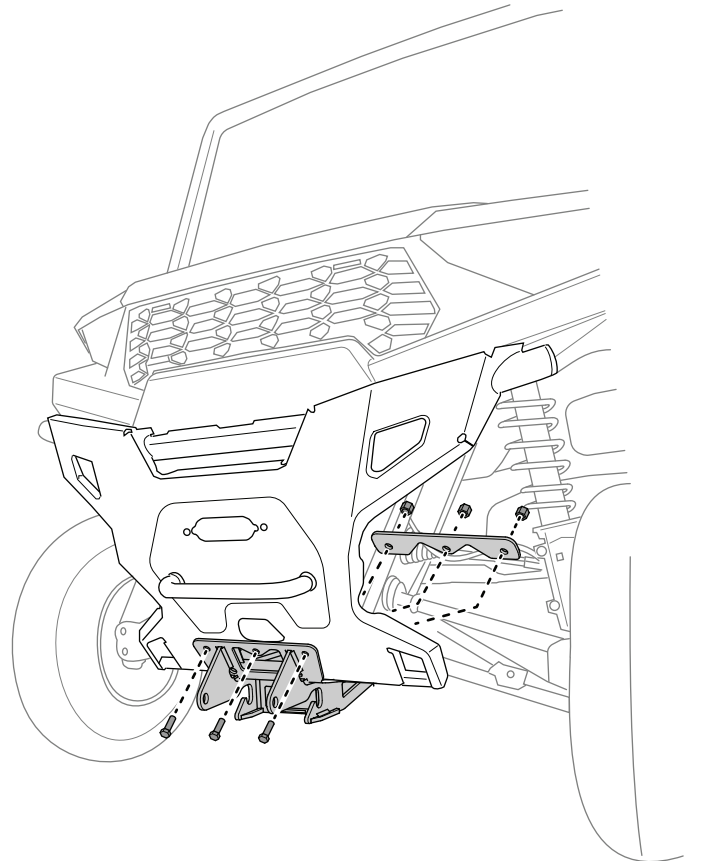
⚠ WARNING

Using a drill without proper eye protection may allow debris to enter the eye, causing injury.

When drilling, always wear eye protection.

- Loosely install the 3 bolts, backer plate, and 3 nuts to the skid plate.

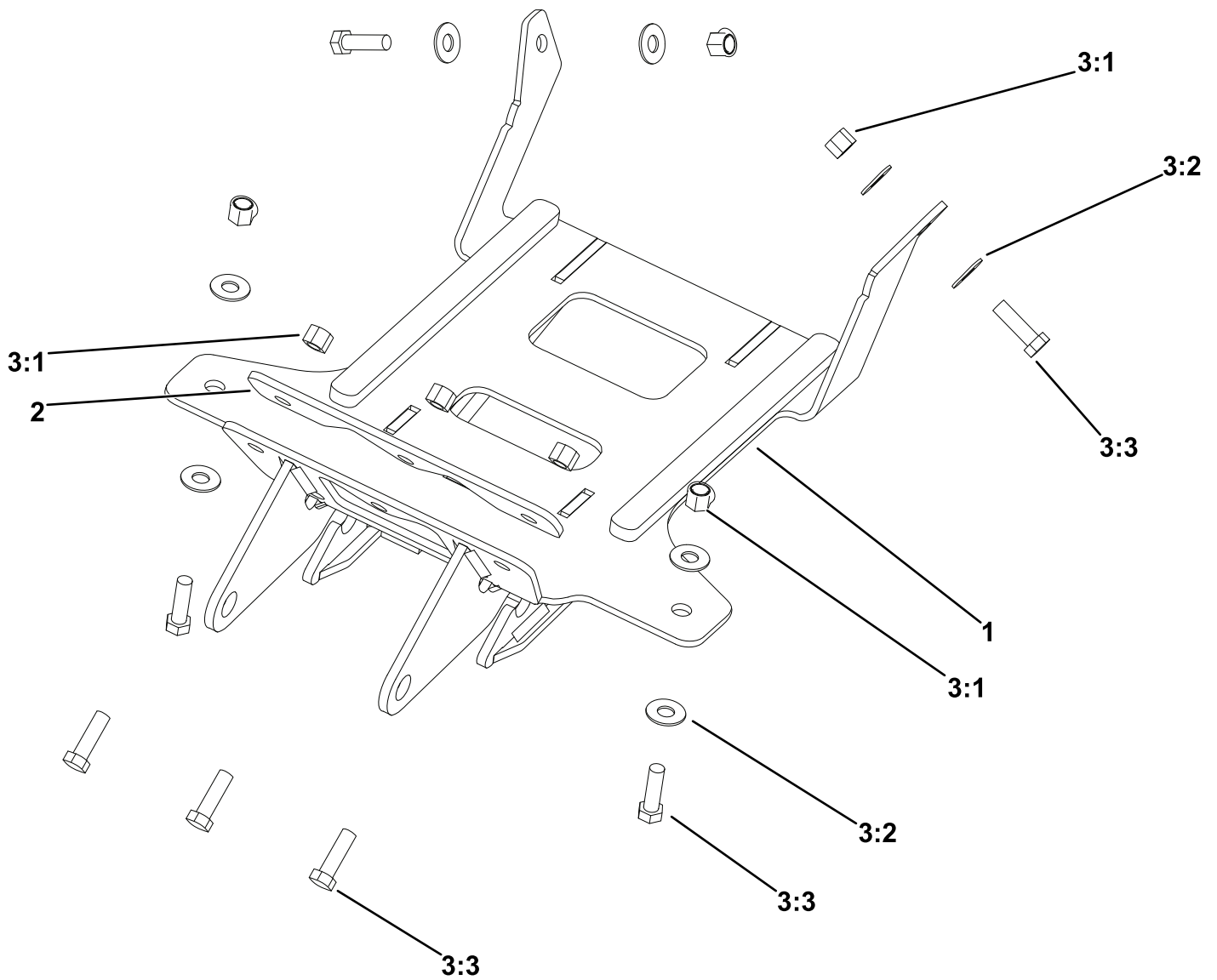
The backer plate should be located opposite of the skid plate on the bumper.



g438754

Figure 4

- Torque all the fasteners to 35 N·m (26 ft-lb).



Parts

g438822

Ref.	Part Number	Qty.	Description
1	LTA14931	1	SKID PLT ASSM, UC, POL RNGR, MID, 22+
2	LTA14936-03	1	BACKER PLT, UC, UTV, POL RNGR, MID, 22+
3	HDW14941	1	FASTENER KIT, POLARIS RANGER 570, MID, 22+
3:1	HDW01771	7	HHCS,3/8-16 X 1-1/4, NC, GR5, YZN
3:2	HDW01720	7	NUT, 3/8-16, NYL INS, YZN
3:3	HDW01733	8	WASHER, 3/8, USS FLAT, YZN

BOSS
S N O W P L O W