

BOSS Products limited consumer warranty and BOSS Products commercial warranty policies are located at www.BOSSPlow.com.

Safety

- Always follow the vehicle manufacturer's recommendations relating to system installation.
- Due to the variety of equipment that you can install using the undercarriage, ensure that the gross-vehicle-weight rating (GVWR) is not exceeded at any time. You may need to weigh the vehicle and add ballast or limit the payload of the vehicle to compensate.

Installation

Determine the left and right sides of the machine from the normal operating position.

1. Park the vehicle on a level surface, shut off the engine, wait for all moving parts to stop, engage the parking brake, and remove the key.
2. Remove the vehicle front plastic lower bumper cover.
3. Remove the 2 existing bolts from the vehicle frame located above the tow hook.
4. Loosely attach the left and right support plates to the vehicle using the existing hardware.
5. Loosely attach the skid plate assembly to the support plates using 2 bolts (3/8 x 1 inch) and 3 nuts.

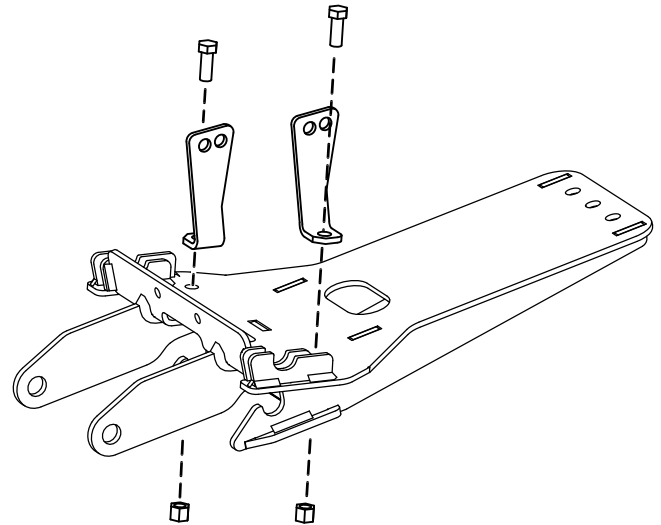
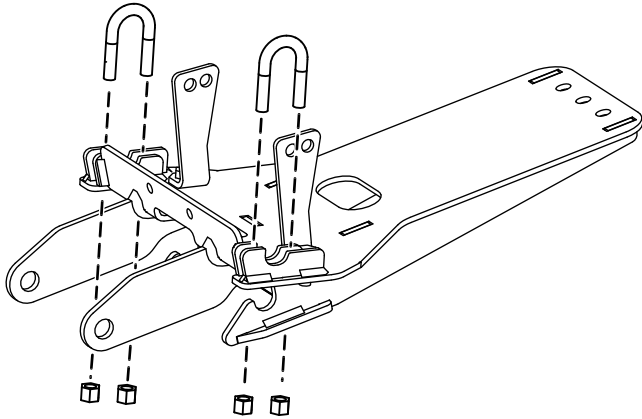


Figure 1

g405801

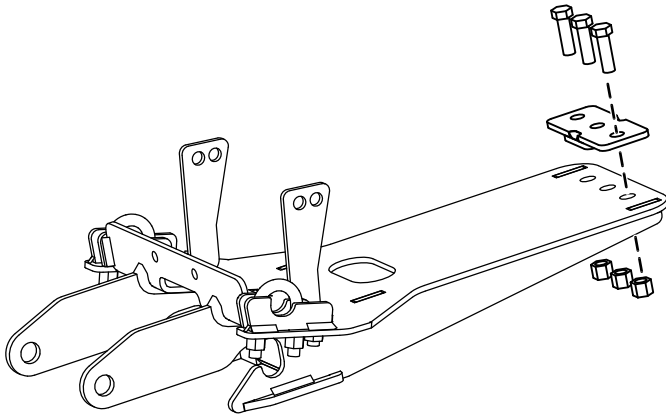
- Loosely install the 2 U-bolts to the skid plate assembly using 4 nuts.



g405802

Figure 2

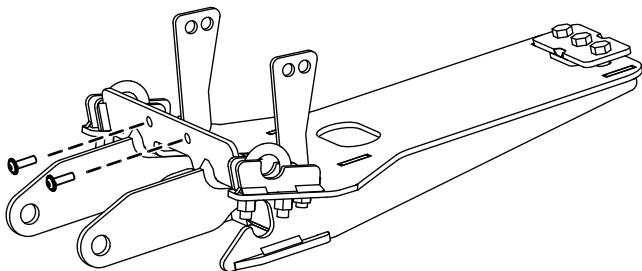
-
- Secure the bolt plate to the vehicle frame and skid plate assembly using 3 bolts ($3/8 \times 1-1/4$ inches) and 3 nuts.



g405803

Figure 3

-
- Torque the bolts to 31 N·m (23 ft-lb).
 - Install the vehicle front plastic lower bumper cover using 2 bolts (M6 x 20mm).



g405804

Figure 4

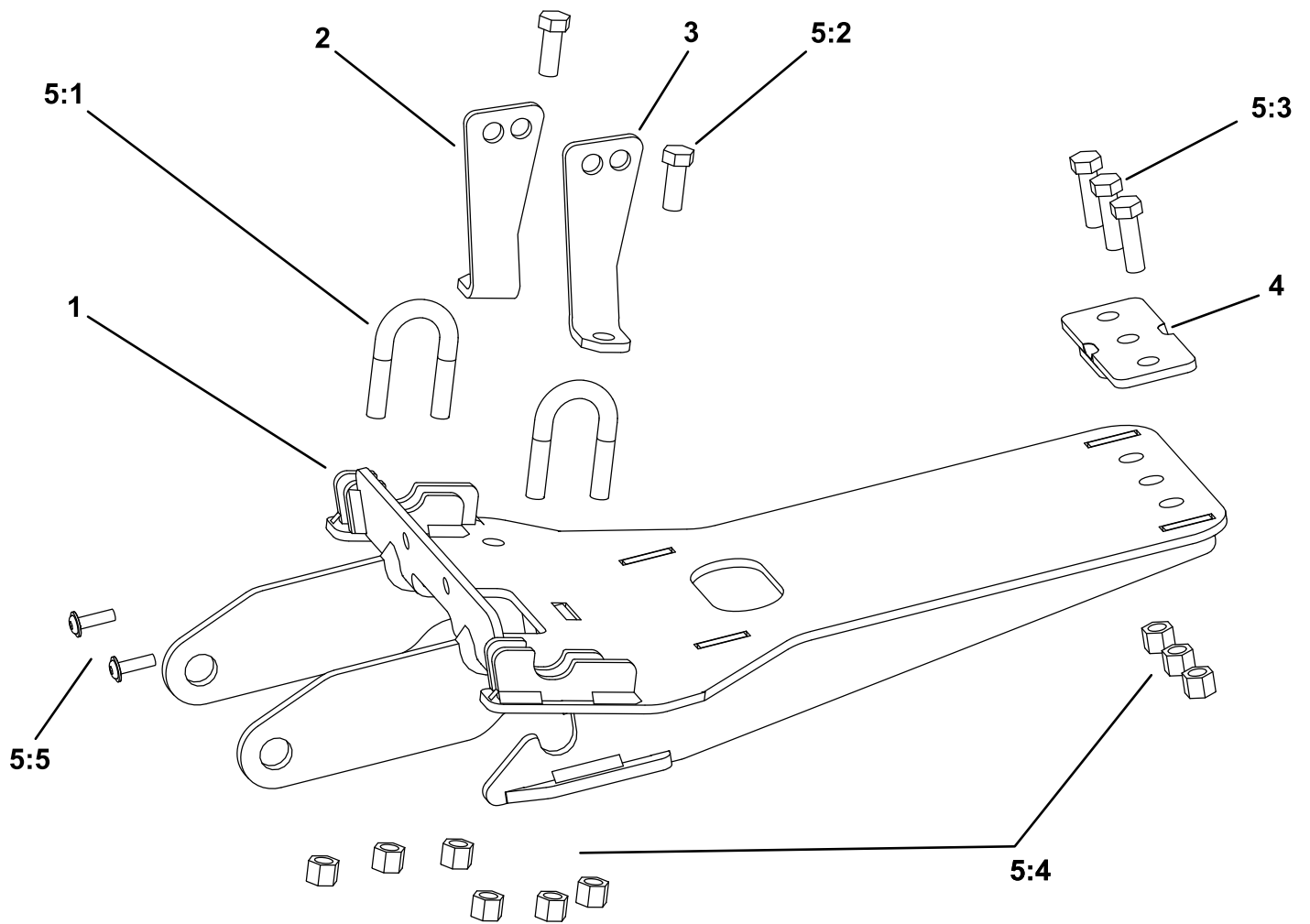


Figure 5

g405805

Ref.	Part Number	Qty.	Description	Ref.	Part Number	Qty.	Description
1	LTA15399	1	SKID PLATE ASSEMBLY	5:1	HDW15384	2	BOLT-U 3/8-16 X 1.00 X 2.25
2	LTA15394-03	1	R VERT SUPPORT	5:2	HDW01717	2	HHCS,3/8-16X1,GR5,PLT
3	LTA15395-03	1	L VERT SUPPORT	5:3	HDW01771	3	HHCS,3/8-16X1-1/4,GR5,YZN
4	LTA15393-03	1	BOLT PLATE	5:4	HDW01720	9	NUT,NYL INS,3/8-16,YZN
5	HDW15389	1	FASTENER KIT	5:5	HDW14276		SCREW HSBFH [M6-1.0 X 20MM CL10.9 OX]

BOSS
S N O W P L O W