

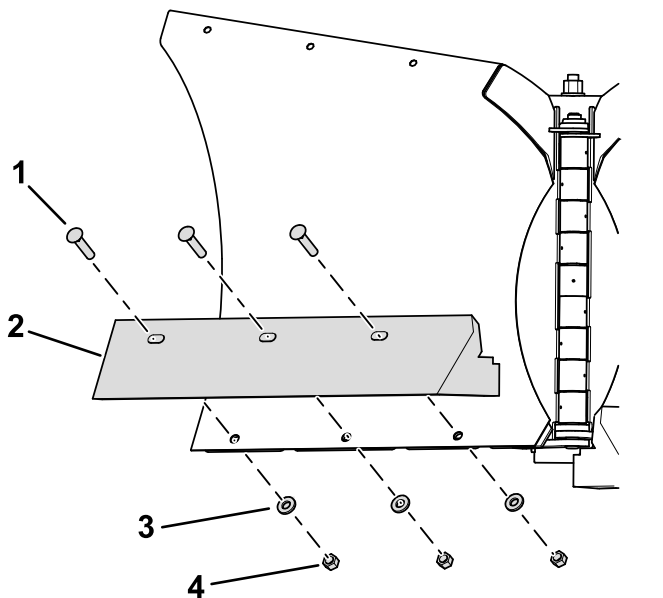
## Safety

- Always lower the blade when the machine is not in use.
- Never put any part of your body between the plow and the machine.

## Installation

1. Park the machine on a level surface and raise the plow a few centimeters (inches) off the ground.
2. Place a jack stand under the plow pushframe, shut off the vehicle engine, engage the parking brake, and remove the key.
3. Remove the existing cutting edges by removing the bolts, washers, and nuts that secure the cutting edges to the blades (Figure 1).

Retain the washers and nuts for future steel cutting edge installation.

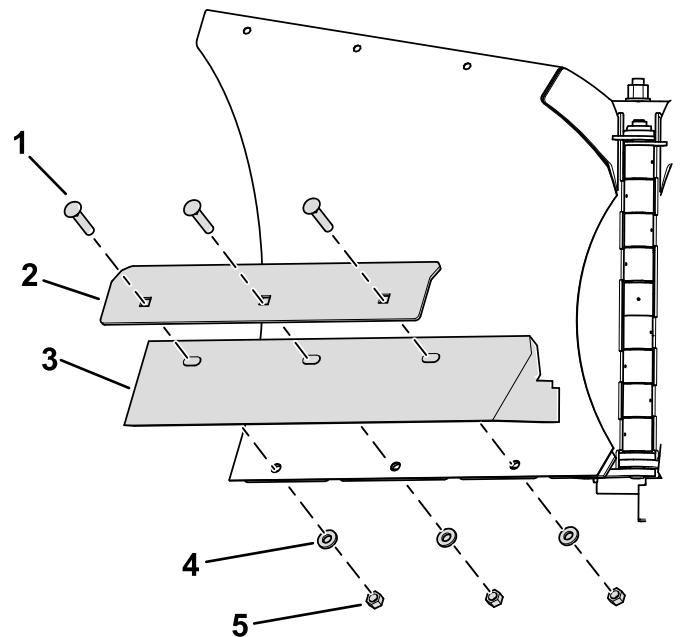


**Figure 1**

1.27 m (4-1/6 ft) plow shown

- |                              |           |
|------------------------------|-----------|
| 1. Bolt (1/2 x 1-3/4 inches) | 3. Washer |
| 2. Cutting edge              | 4. Nut    |

4. Secure the urethane cutting edges and straps to the blades using the carriage bolts, washers, and locknuts that are provided in the kit (Figure 2). Loosely tighten the hardware by hand.

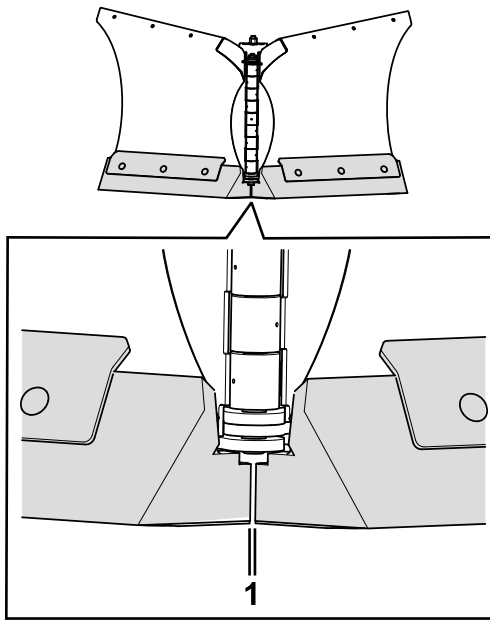


**Figure 2**

1.27 m (4-1/6 ft) plow shown

- |                                       |                       |
|---------------------------------------|-----------------------|
| 1. Carriage bolt (1/2 x 2-1/4 inches) | 4. Washer             |
| 2. Strap                              | 5. Locknut (5/8 inch) |
| 3. Urethane cutting edge              |                       |

5. Ensure that there is a gap (3.2 mm or 1/8 inch) between the edges at the center of the plow (Figure 3).



g445212

**Figure 3**

1. 3.2 mm (1/8 inch)

---

6. Tighten the bolts until the strap is securely fastened in place.