

### Installation Instructions

Patent [www.ttcopats.com](http://www.ttcopats.com).

## Installing the Snow Deflector Kit

**Note:** The plow should be in the V-position before beginning the installation.

1. Clamp the deflector belting to the around the top edge of the plow blades.

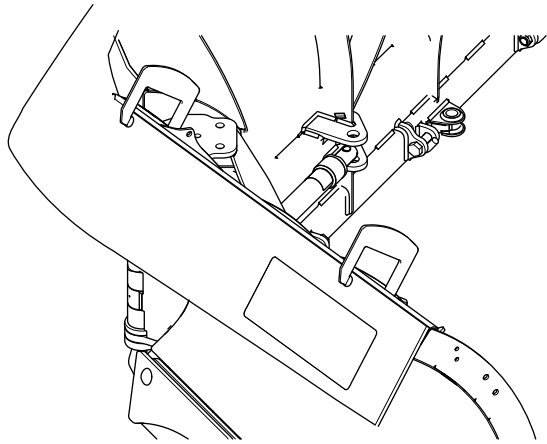


Figure 1

g456232

2. On the right side of the plow, secure the steel deflector strap and deflector belting to the plow using 3 carriage bolts (3/8 x 1-1/4 inches) and 3 nuts (3/8 inch). Repeat on the left side of the plow.

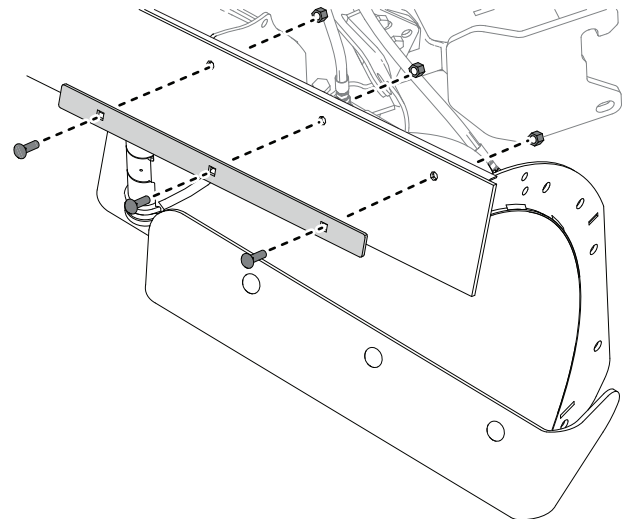


Figure 2

g456270

3. Secure the top snow deflector to the deflector belting with 2 cap screws (3/8 x 1 inch), 4 flat washers (3/8 inch), and 2 nuts (3/8 inch), as shown below.

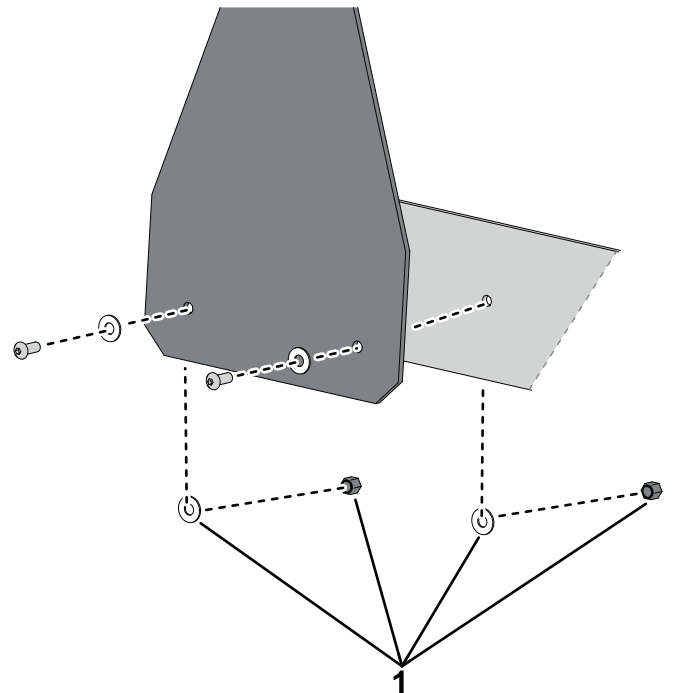


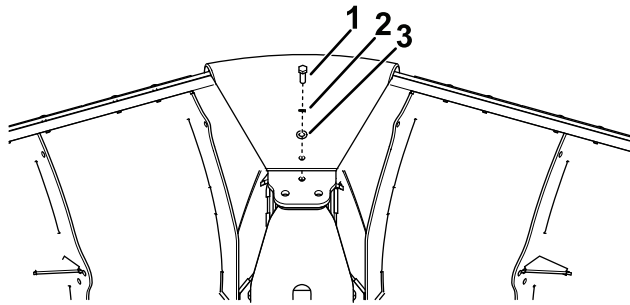
Figure 3

g456275

1. Install these fasteners behind the deflector belting



4. Bend the top snow deflector towards the back of the plow and clamp in to place.
5. Secure the top of the snow deflector to the plow with the hex-head cap screw (3/8 x 1-1/2 inches), split-lock washer (3/8 inch), and flat washer (3/8 inch).



g456288

**Figure 4**

1. Hex-head cap screw (3/8 x 1-1/2 inches)
  2. Split-lock washer (3/8 inch)
  3. Flat washer (3/8 inch)
-

**Notes:**

**BOSS**  
S N O W P L O W