

RT3/RT3 HD Undercarriage for 2019 and After GM 4500/5500/6500 and International CV Trucks

Part No. LTA16245—Serial No. 400000000 and Up

Part No. LTA16255—Serial No. 400000000 and Up

Installation Instructions

BOSS Products limited consumer warranty and BOSS Products commercial warranty policies are located at www.BOSSPlow.com.

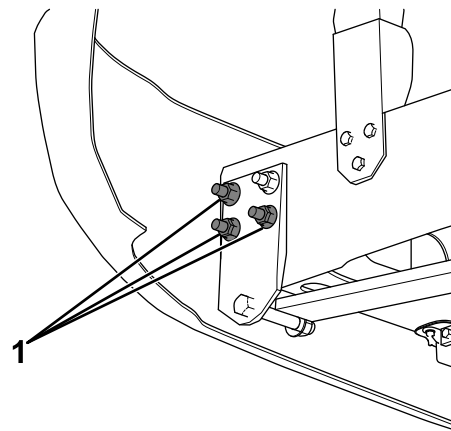
Patents pending.

Safety

- Always follow the vehicle manufacturer's recommendations relating to system installation. For recommended vehicle models, refer to the *BOSS Snowplow Application Chart and Selection Guide*.
- Never disable, remove, or relocate any sensors or other components related to the operation of the air bags.
- To comply with federal regulations and to assure a safe vehicle, do not exceed the front gross-axle-weight rating (FGAWR), rear gross-axle-weight rating (RGAWR), and the gross-vehicle-weight rating (GVWR) at any time.
- Due to the variety of equipment that you can install on the vehicle and undercarriage, do not exceed the front gross-axle-weight rating (FGAWR), rear gross-axle-weight rating (RGAWR), and the gross-vehicle-weight rating (GVWR) at any time. This may require weighing the vehicle and adding ballast as necessary. It may also limit the payload capacity of the vehicle.

Installation

1. Park the machine on a level surface, shut off the engine, wait for all moving parts to stop, engage the parking brake, and remove the key.
2. Remove the existing fasteners shown in [Figure 1](#).



g279365

Figure 1

1. Remove
3. Loosely secure the sideplates to the vehicle frame using 3 bolts (M16) and locknuts ([Figure 2](#)).



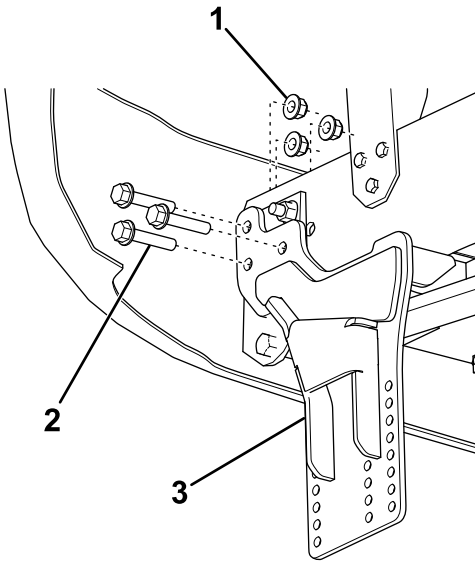


Figure 2

g279366

1. Locknuts (M16)
2. Bolts (M16)
3. Sideplate

4. Loosely secure the pushbeam according to your model:

Note: Refer to your plow *Owner's Manual* for the appropriate pushbeam height.

- For model LTA16245, loosely secure the front of the pushbeam to the sideplates using 4 bolts (1/2 x 2 inches) and locknuts (Figure 3).

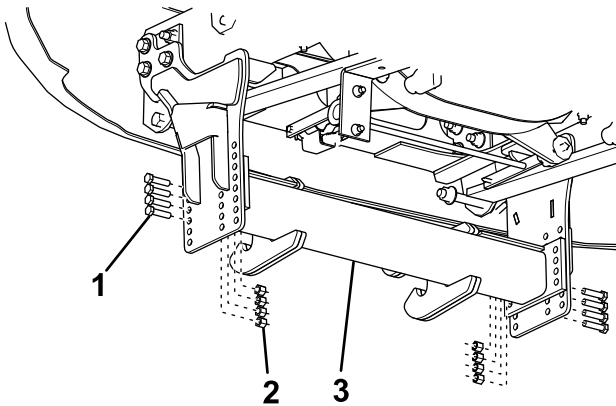


Figure 3

Model LTA16245

g279367

1. Bolt (1/2 x 2 inches)
2. Locknut (1/2 inch)
3. Pushbeam

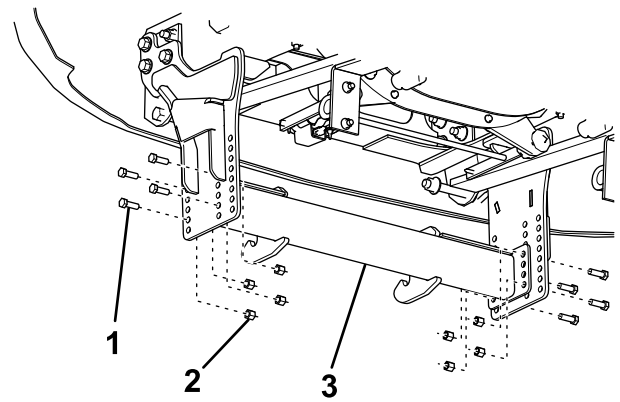


Figure 4

Model LTA16255

g279368

1. Bolt (1/2 x 1-1/2 inches)
2. Locknut (1/2 inch)
3. Pushbeam

5. Loosely attach the bottom of the angle brackets to the sideplates according to your model:

- For model LTA16245, loosely secure the bottom of the angle bracket to the rear of the sideplate and pushbeam using 4 bolts (1/2 x 2 inches) and locknuts (Figure 5).

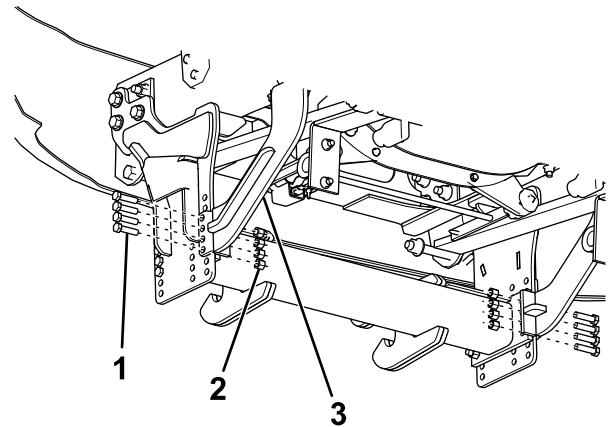


Figure 5

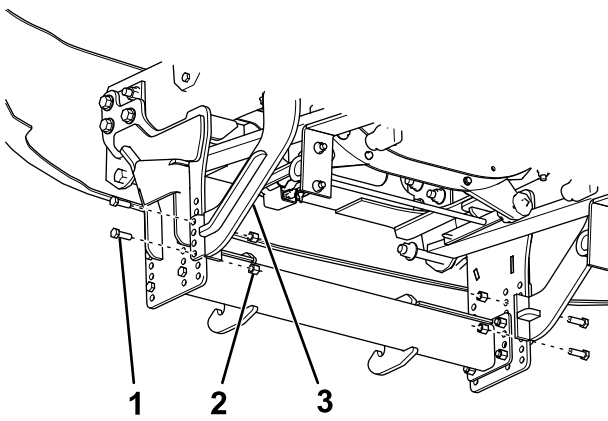
Model LTA16245

g279369

1. Bolt (1/2 x 2 inches)
2. Locknut (1/2 inch)
3. Angle bracket

- For model LTA16255, loosely secure the bottom of the angle bracket to the rear of the sideplate using 2 bolts (1/2 x 1-1/2 inches) and locknuts (Figure 6).

- For model LTA16255, loosely secure the pushbeam to the sideplates using 4 bolts (1/2 x 1-1/2 inches) and locknuts (Figure 4).

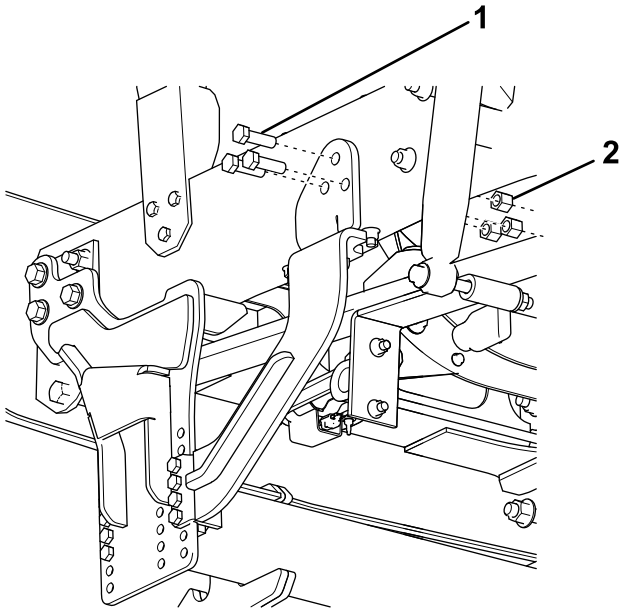


g279370

Figure 6
Model LTA16255

1. Bolt (1/2 x 1-1/2 inches)
2. Locknut (1/2 inch)
3. Angle bracket

-
6. Loosely secure the top of the angle brackets to the vehicle frame using 3 bolts (5/8 inch) and locknuts ([Figure 7](#)).

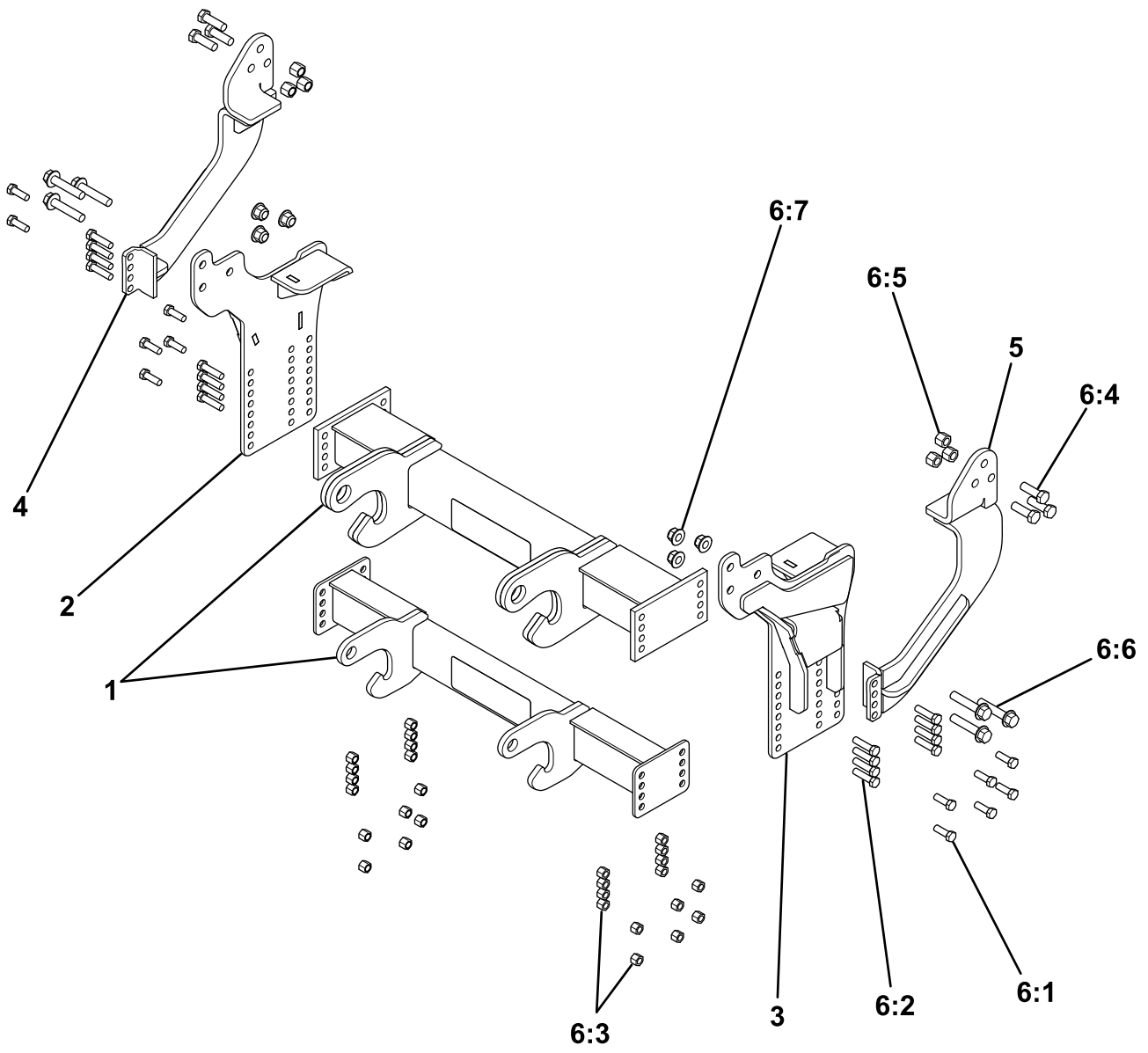


g279371

Figure 7

1. Bolt (5/8 inch)
2. Locknut (5/8 inch)

-
7. Torque all the fasteners to the following specifications:
 - M16 bolts to 257 N·m (190 ft-lb)
 - 1/2-inch bolts to 76 N·m (56 ft-lb)
 - 5/8-inch bolts to 153 N·m (113 ft-lb)



Parts

g279364

Ref.	Part Number	Qty.	Description	Ref.	Part Number	Qty.	Description
1	PBA16260-03 (for model LTA16245)	1	PUSHBEAM ASSY RT3, F650, DURASTAR 02 & UP	6:1	HDW01728	12	HHCS, 1/2-13 X 1-1/2, NC, GR5, YZN
	PBA16291-03 (for model LTA16255)		PB ASM, GM 45/55/6500, 19+	6:2	HDW01755	16	HHCS, 1/2-13 X 2, GR5, YZN
2	PBA16265-03	1	PBSP, HD, DR, GM 45/55/6500, 19+	6:3	HDW01748	16	NUT, 1/2-13, NYL INS, YZN
3	PBA16270-03	1	PBSP, HD, PS, GM 45/55/6500, 19+	6:4	HDW01731	6	HHCS, 5/8-11 X 2, GR5, YZN
4	LTA16275-03	1	ANG BRKT, LH, GM 45/55/6500, 19+	6:5	HDW05619	6	NUT, 5/8-11, NYL INS, YZN
5	LTA16280-03	1	ANG BRKT, RH, GM 45/55/6500, 19+	6:6	HDW10398	6	HHCS, M16 X 80 MM, 10.9, FLANGE HEAD, YZN
6	HDW16256	1	KIT-FASTENER, GM 45/55/6500, INTL CV, 19+	6:7	HDW10399	6	NUT, NYLOCK, M16, 10.9, FLANGE HEAD, YZN