

RT3 Undercarriage

2019 and After GM 4500 or 5500 or 6500 Heavy-Duty International CV Truck

Part No. LTA16245C—Serial No. 40000000 and Up

Part No. LTA16255C—Serial No. 40000000 and Up

Installation Instructions

BOSS Products limited consumer warranty and BOSS Products commercial warranty policies are located at www.BOSSPlow.com.

Patent: www.ttcopats.com.

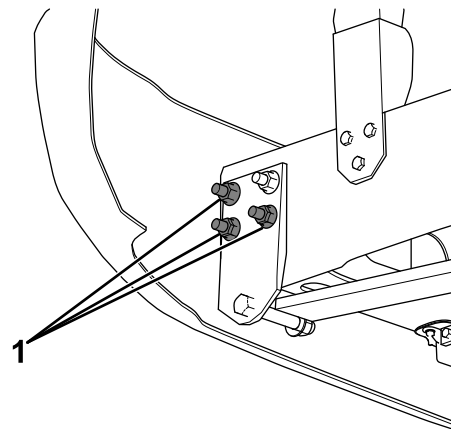
Safety

- Always follow the vehicle manufacturer's recommendations relating to system installation. For recommended vehicle models, refer to the *BOSS Snowplow Application Chart and Selection Guide*.
- Never disable, remove, or relocate any sensors or other components related to the operation of the air bags.
- To comply with federal regulations and to assure a safe vehicle, do not exceed the front gross-axle-weight rating (FGAWR), rear gross-axle-weight rating (RGAWR), and the gross-vehicle-weight rating (GVWR) at any time.
- Due to the variety of equipment that you can install on the vehicle and undercarriage, do not exceed the front gross-axle-weight rating (FGAWR), rear gross-axle-weight rating (RGAWR), and the gross-vehicle-weight rating (GVWR) at any time. This may require weighing the vehicle and adding ballast as necessary. It may also limit the payload capacity of the vehicle.

Installation

Determine the left and right sides of the machine from the normal operating position.

1. Park the machine on a level surface, shut off the engine, wait for all moving parts to stop, engage the parking brake, and remove the key.
2. Remove the existing fasteners.



g279365

Figure 1

1. Remove these fasteners.
3. Loosely secure the sideplates to the vehicle frame using 1 bolts (M16), 1 locknut, and 4 of the previously removed bolts and nuts.



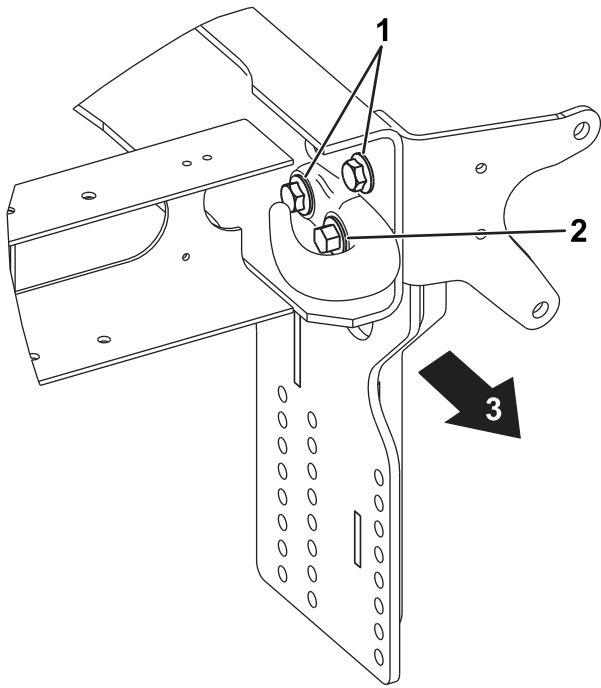


Figure 2

g344946

- | | |
|--------------------------------|-------------------------|
| 1. Previously removed hardware | 3. Front of the vehicle |
| 2. Bolt (M16) | |

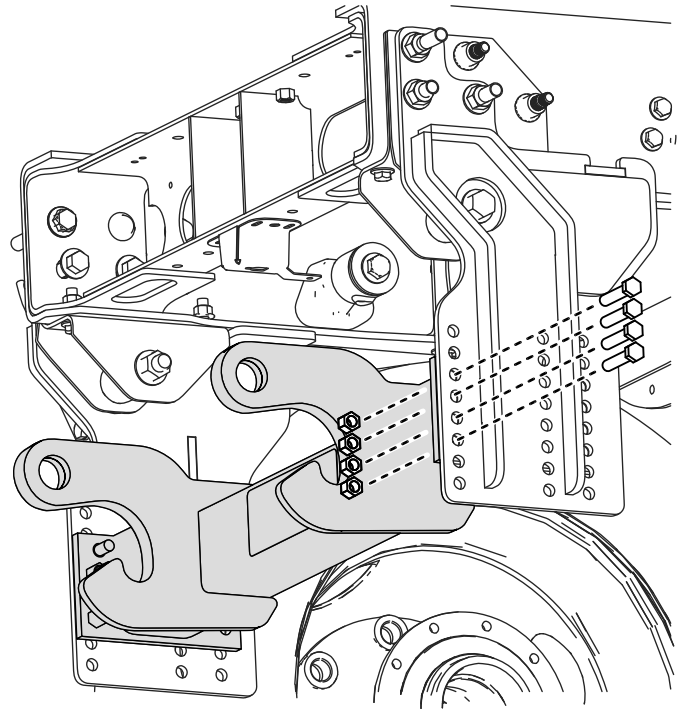


Figure 4

Model LTA16245C

g330486

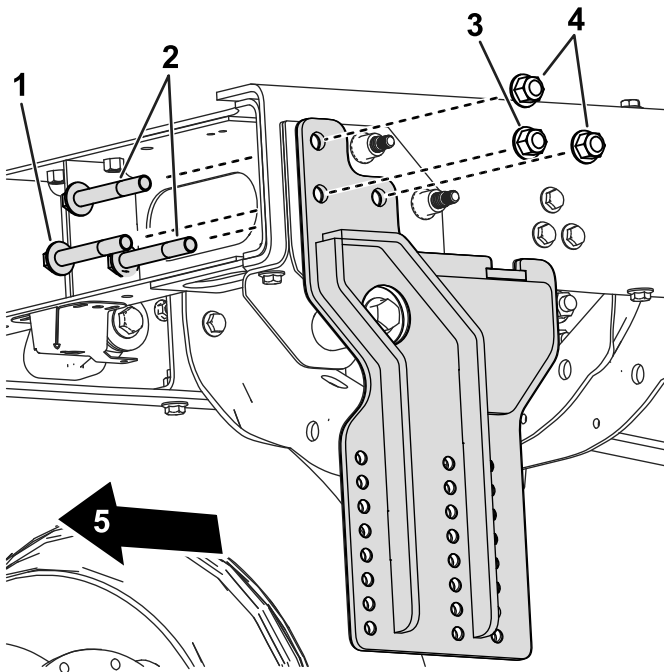


Figure 3

g344932

- | | |
|-----------------------------|----------------------------|
| 1. Bolt (M16) | 4. Previously removed nuts |
| 2. Previously removed bolts | 5. Front of the vehicle |
| 3. Locknut | |

4. Loosely secure the pushbeam according to your model:

- For model LTA16255C, loosely secure the pushbeam to the sideplates using 8 bolts (1/2 x 1-1/2 inches) and locknuts.

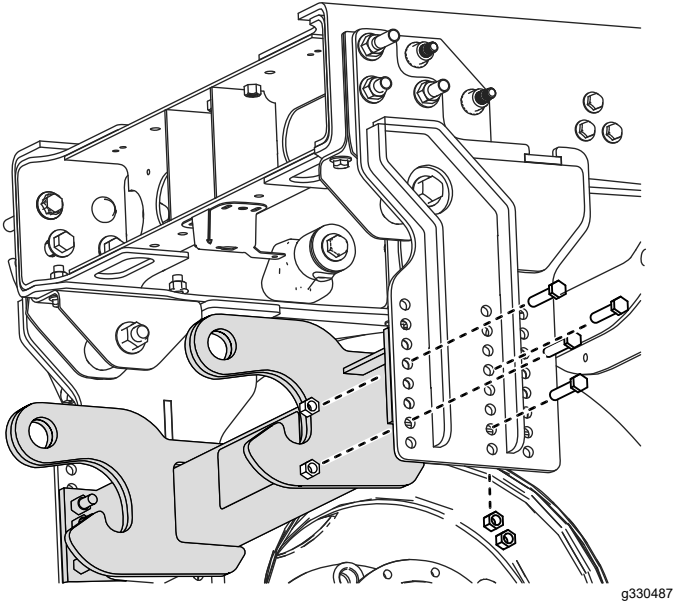


Figure 5
Model LTA16255C

5. Loosely attach the bottom of the angle brackets to the sideplates according to your model.
 - For model LTA16245C, loosely secure the bottom of the angle bracket to the rear of the sideplate and pushbeam using 8 bolts (1/2 x 2-1/2 inches) and locknuts.

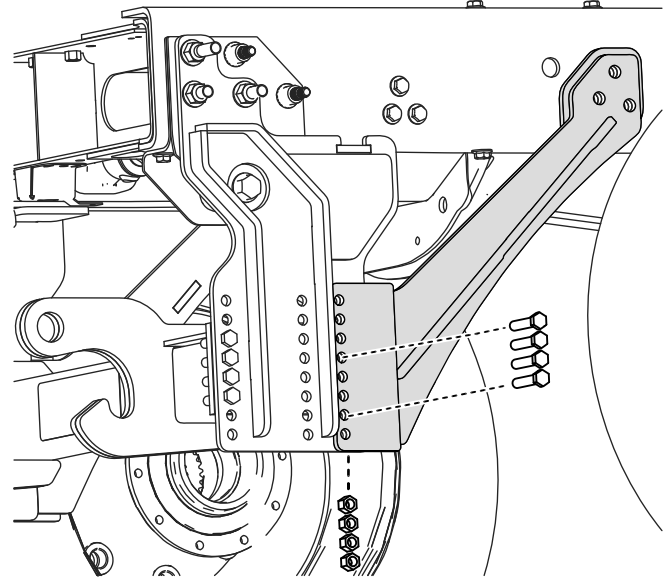


Figure 6
Model LTA16245C

- For model LTA16255B, loosely secure the bottom of the angle bracket to the rear of the sideplate using 4 bolts (1/2 x 1-1/2 inches) and locknuts.

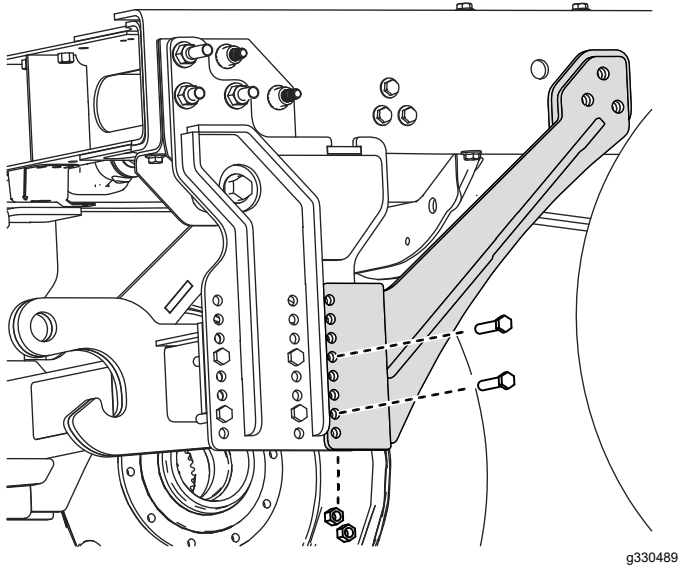


Figure 7
Model LTA16255B

-
6. Loosely secure the top of the angle brackets to the vehicle frame using 3 bolts (1/2 x 2-1/2 inches) and locknuts.

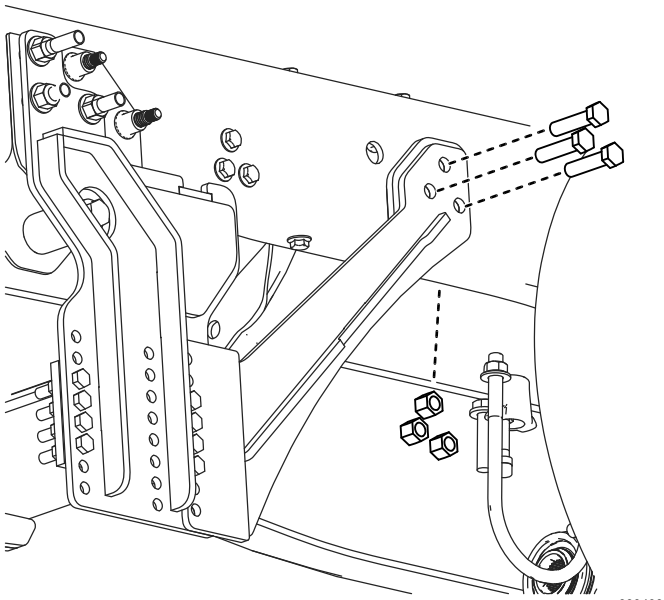
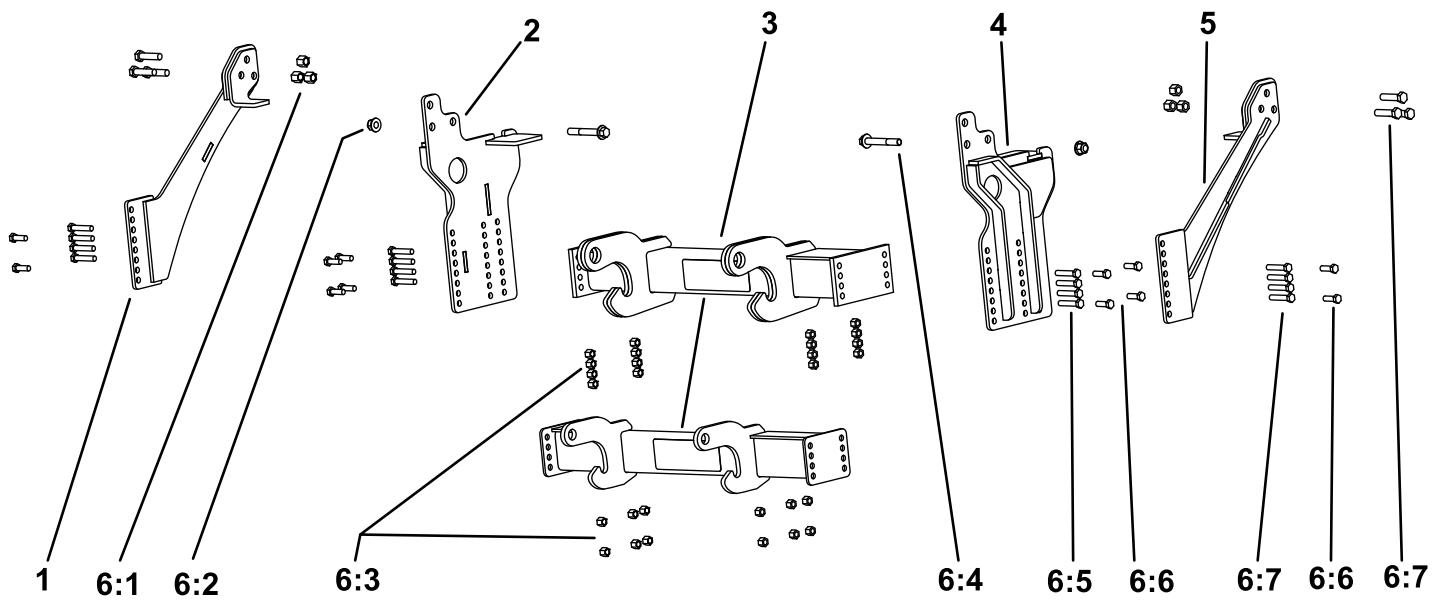


Figure 8

-
7. Torque all the fasteners to the following specifications:
 - M16 bolts to 257 N·m (190 ft-lb)
 - 1/2-inch bolts to 76 N·m (56 ft-lb)
 - 5/8-inch bolts to 153 N·m (113 ft-lb)



g344929

Parts

Ref.	Part Number	Qty.	Description	Ref.	Part Number	Qty.	Description
1	LTA17715	1	ANG BRKT,PS,GM 45/55/6500,INTL CV,19+	6:1	HDW05619	6	NUT, 5/8-11, NYL INS, YZN
2	PBA17705	1	PBSP,PS,GM 45/55/6500,INTL CV,19+	6:2	HDW10399	2	NUT, NYLOCK, M16, 10.9, FLANGE HEAD, YZN
	PBA16260-03 (for model LTA16245C)		PB ASM, HD, GM 45/55/6500, INTL CV, 19+	6:3	HDW01748	16	NUT, 1/2-13, NYL INS, YZN
3	PBA16291-03 (for model LTA16255C)	1	PB ASM, GM 45/55/6500, 19+	6:5	HDW01755	8	HHCS 1/2-13X2 GR5 YZN
4	PBA17700	1	PBSP,DR,GM 45/55/6500,INTL CV,19+	6:4	HDW15422	2	HHCS, M16 X 110 MM, 10.9, FLANGE HEAD, YZN
5	LTA17710	1	ANG BRKT,DR,GM 45/55/6500,INTL CV,19+	6:6	HDW01728 (for model LTA16255C)	12	HHCS, 1/2-13 X 1-1/2, NC, GR5, YZN
6	HDW16256	1	KIT-FASTENER, GM 45/55/6500, INTL CV, 19+	6:7	HDW05917	14	HHCS, 1/2-13 X 2-1/2, GR5, PLT
				6:7	HDW05917 (for model LTA16245C)	8	HHCS, 1/2-13 X 2-1/2, GR5, PLT
				6:7	HDW05917 (for both models)	6	HHCS, 1/2-13 X 2-1/2, GR5, PLT

Notes:

Notes:

BOSS
S N O W P L O W