

Installation Instructions

⚠ WARNING

CALIFORNIA Proposition 65 Warning

This product contains a chemical or chemicals known to the State of California to cause cancer, birth defects, or reproductive harm.

Use of this product may cause exposure to chemicals known to the State of California to cause cancer, birth defects, or other reproductive harm.

BOSS Products limited consumer warranty and BOSS Products commercial warranty policies are located at www.BOSSPlow.com.

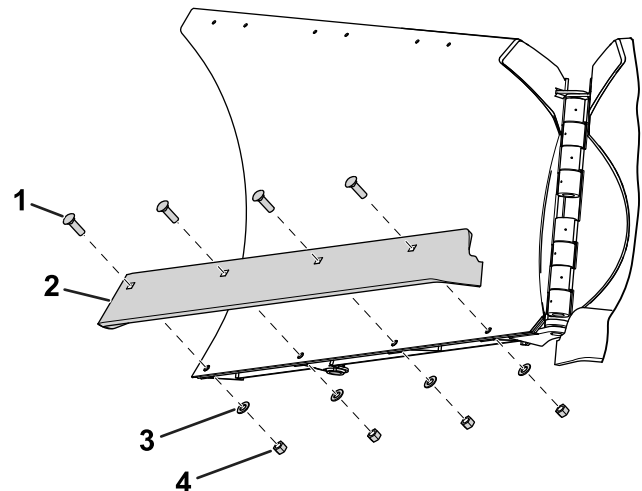
Safety

- Always lower the blade when the machine is not in use.
- Never put any part of your body between the plow and the machine.

Installation

1. Park the machine on a level surface and raise the plow a few centimeters (inches) off the ground.
2. Place a jack stand under the plow pushframe, shut off the vehicle engine, engage the parking brake, and remove the key.
3. Remove the existing cutting edges by removing the bolts, washers, and nuts that secure the cutting edges to the blades (Figure 1).

Retain the washers and nuts for future steel cutting edge installation.



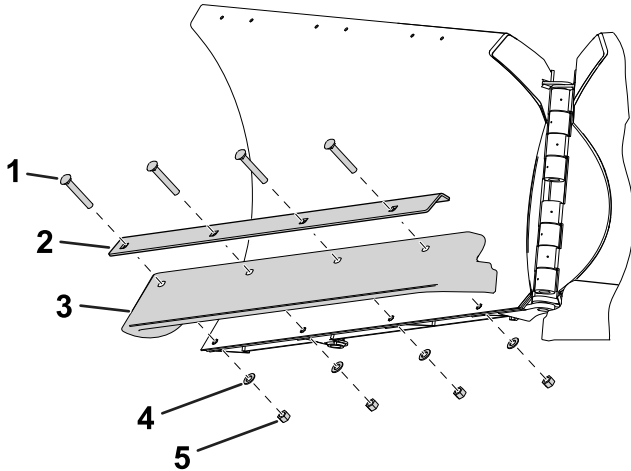
g235400

Figure 1

2.29 m (7-1/2 ft) or 2.5 m (8-1/6 ft) plow shown

- | | |
|--------------------------|-----------|
| 1. Bolt (5/8 x 2 inches) | 3. Washer |
| 2. Cutting edge | 4. Nut |

- Secure the urethane cutting edges and straps to the blades using the carriage bolts, washers, and locknuts that are provided in the kit (Figure 2). Loosely tighten the hardware by hand.



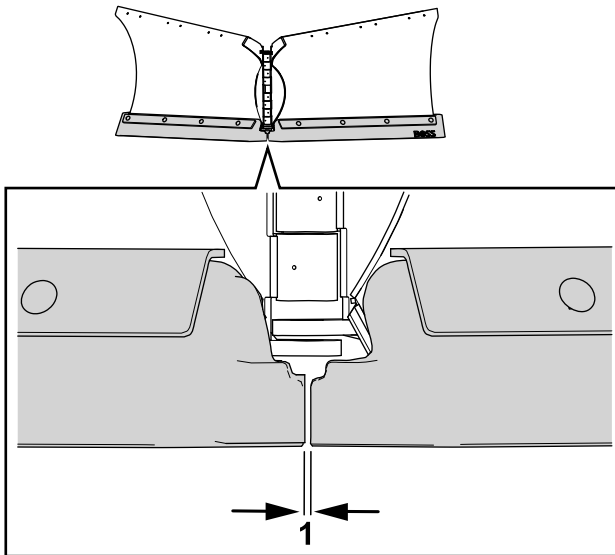
g235401

Figure 2

2.29 m (7-1/2 ft) or 2.5 m (8-1/6 ft) plow shown

- | | |
|-----------------------------------|-----------------------|
| 1. Carriage bolt (5/8 x 4 inches) | 4. Washer |
| 2. Strap | 5. Locknut (5/8 inch) |
| 3. Urethane cutting edge | |

- Ensure that there is a gap (3.2 mm or 1/8 inch) between the edges at the center of the plow (Figure 3).



g237785

Figure 3

- 3.2 mm (1/8 inch)

- Tighten the bolts until the strap is securely fastened in place.