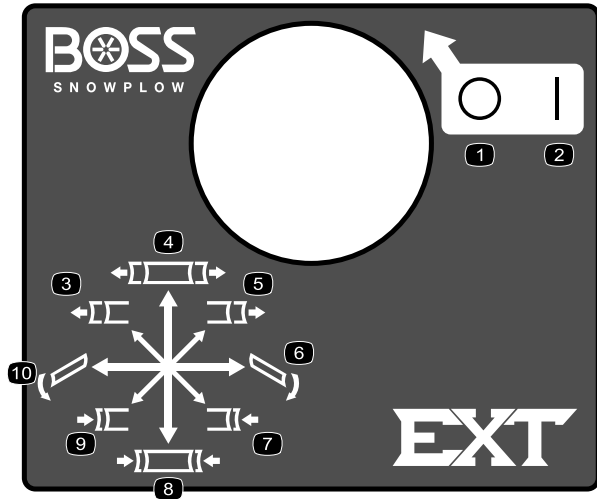


Safety

Safety and Instructional Decals



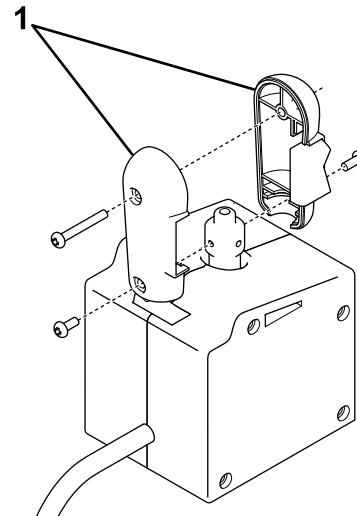
decalsc19104

MSC19104

- | | |
|----------------------|--------------------------|
| 1. Off | 6. Angle the plow right. |
| 2. On | 7. Right wing—retract |
| 3. Left wing—extend | 8. Both wings—retract |
| 4. Both wings—extend | 9. Left wing—retract |
| 5. Right wing—extend | 10. Angle the plow left. |

Installation

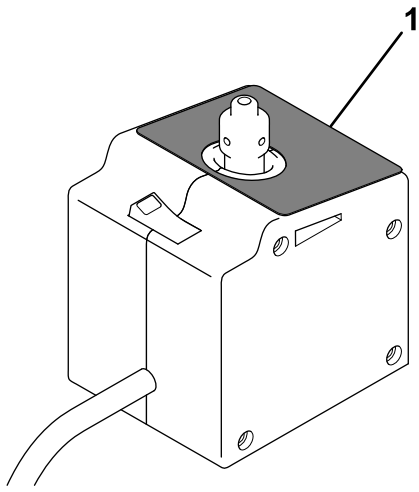
1. Disconnect the joystick controller from the wire harness.
2. Remove and retain the 3 bolts securing the handle sides to each other and remove the handle (Figure 1).



g275563

Figure 1

1. Handle sides
3. Apply the new decal to the controller (Figure 2).

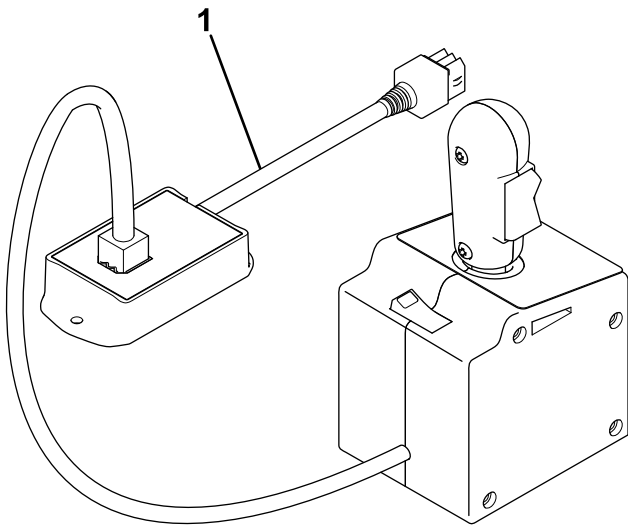


g275564

Figure 2

1. Decal

-
4. Install the previously removed handle sides (Figure 1).
 5. Plug the controller connector into the EXT adapter (Figure 3).



g275565

Figure 3

1. EXT adapter

-
6. Plug the EXT adapter into the controller connector on the wire harness.