

▲ WARNING

CALIFORNIA Proposition 65 Warning

This product contains a chemical or chemicals known to the State of California to cause cancer, birth defects, or reproductive harm.

1. Park your vehicle on a level surface, engage the parking brake, shut off the engine, and remove the keys.
2. Disconnect the spreader power/ground cable from the wire harness.
3. Remove the spinner assembly; refer to your spreader *Owner's Manual*.
4. Remove the bolts securing the rear cover to the hopper (Figure 1).
6. Disconnect the dump switch cable from the dump switch and the cover harness and discard it (Figure 2).

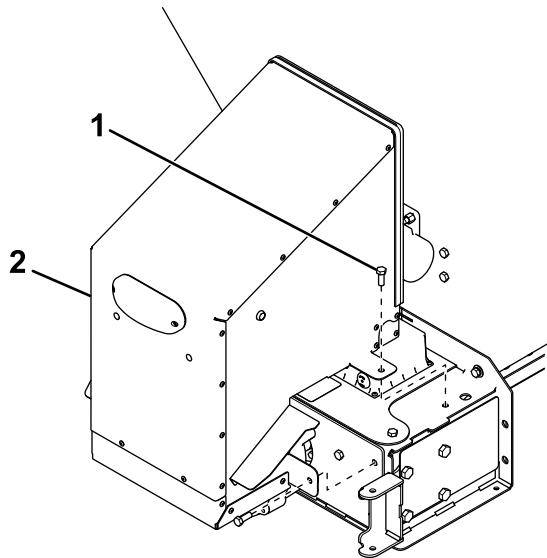
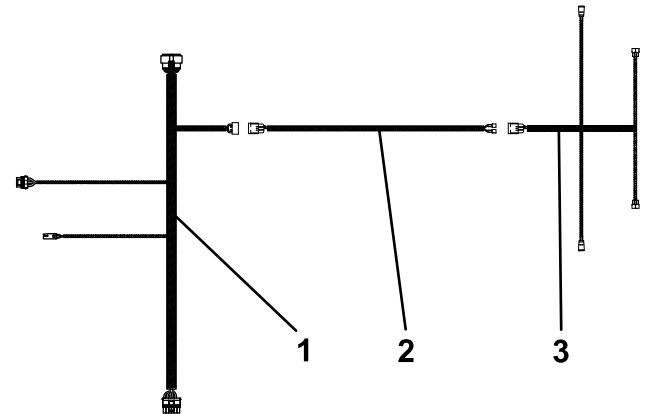


Figure 1

g223387

1. Bolt
2. Rear cover



g226378

Figure 2

1. Rear cover harness
2. Dump switch cable
3. Kit wire harness

5. Carefully pull away the rear cover and unplug the cover harness from the control module.

7. Connect the kit wire harness to the cover harness using the connector from the previously removed dump switch cable (Figure 2).
8. Connect the orange and white/black spade connectors to the dump switch (Figure 2).
9. Remove and discard the grommet cover plate on the right side of the rear cover (Figure 3).

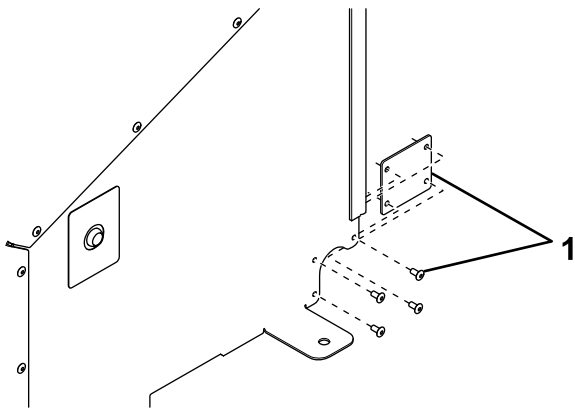


Figure 3

g226379

1. Discard

10. Secure the grommet plate to the inside of the rear cover using 4 bolts (#10 x 3/4 inch) and nylon nuts (Figure 4).

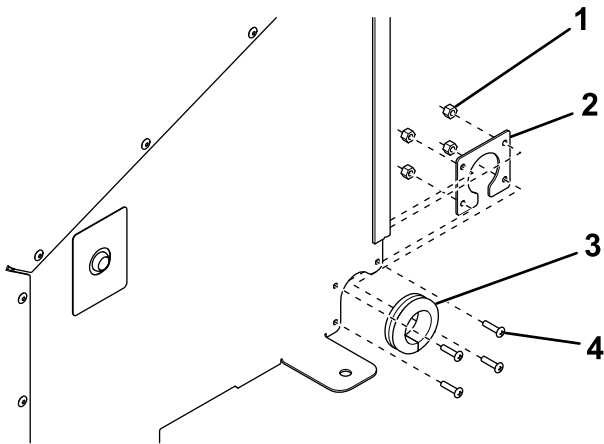


Figure 4

g226380

- | | |
|--------------------|--------------------------|
| 1. Nylon nut (#10) | 3. Rubber grommet |
| 2. Grommet plate | 4. Bolt (#10 x 3/4 inch) |

11. Insert the rubber grommet into the grommet plate (Figure 4).
12. Remove and discard the plug opposite of the dump switch on the rear cover (Figure 5).

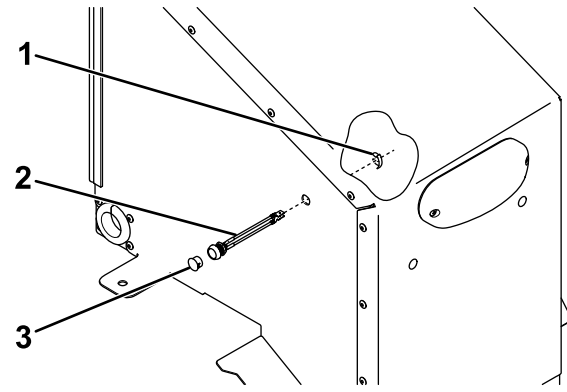


Figure 5

g226381

- | | |
|--------------------------|-------------------|
| 1. Retaining clip | 3. Plug (discard) |
| 2. Light button assembly | |

13. Insert the light button assembly through the hole and secure it in place with a retaining clip (Figure 5).
14. Connect the white and brown spade connectors on the kit wire harness to the light button (Figure 6).

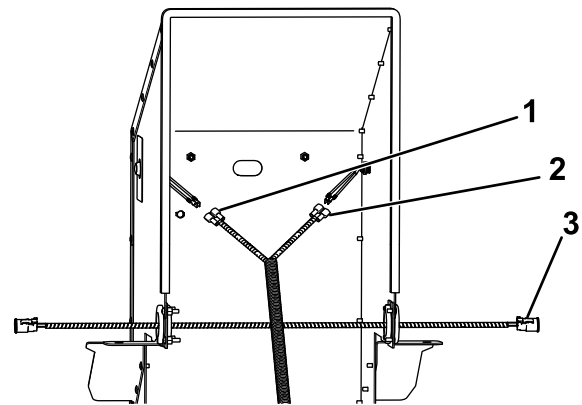


Figure 6

g226382

- | | |
|---|--------------------|
| 1. Orange and white/black spade connector (dump switch) | 3. Light connector |
| 2. White and brown spade connector (light button) | |

15. Route the light connectors through the grommets on either side of the rear cover (Figure 6).
16. Apply the light button decal over the light button.
17. Bring the rear cover close to the spreader and connect the cover harness to the control module.
18. Secure the rear cover to the spreader with the previously removed bolts and washers.

19. Remove and discard the top fasteners on the back end of the hopper sides as shown in [Figure 7](#).

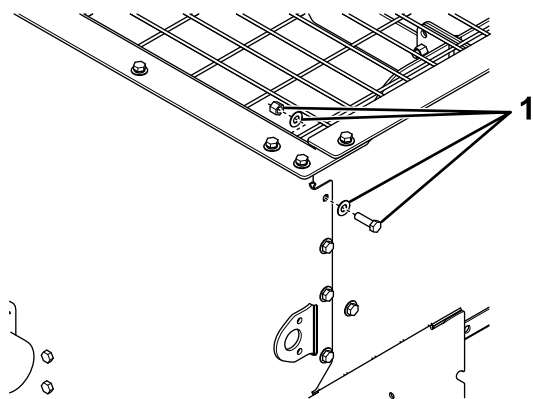


Figure 7

g226383

1. Discard
-

20. Secure the lights to the spreader hopper using 2 bolts (5/16 inch), washers, and nuts ([Figure 8](#)).

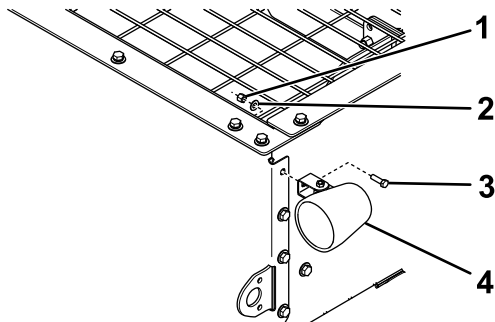


Figure 8

g226384

- | | |
|-----------------------|---------------------|
| 1. Nut (5/16 inch) | 3. Bolt (5/16 inch) |
| 2. Washer (5/16 inch) | 4. Light |
-

21. Connect the wire harness to the lights.
22. Attach the previously removed spinner assembly; refer to your spreader *Owner's Manual*.
23. Connect the spreader power/ground cable to the main wire harness.

BOSS

S N O W P L O W