

MSC19993 Headlight Adapter Installation Procedure

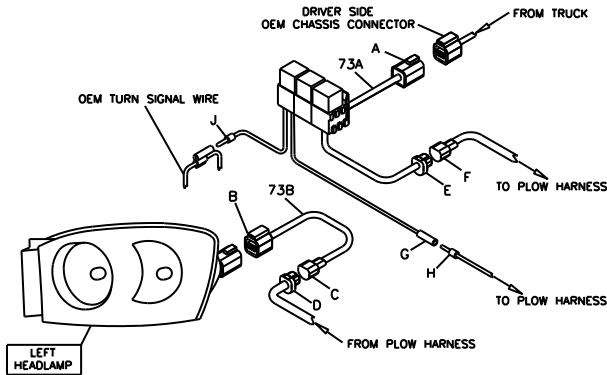


Figure 1. 06-08 DODGE Headlight Adapter Installation

This Installation Procedure is for 2006-2008 Dodge trucks with SL3 LED Plow Headlights.

Ensure Vehicle is off and in park before beginning installation procedure.

1. Locate and disconnect the Driver's Side OEM Chassis Connector from the back of the Driver's Side Headlamp.
2. Connect plug (A) of Headlight Adapter (73A) into the Driver's Side OEM Chassis Connector.
3. Connect blue plastic connector (E) of Headlight Adapter (73A) into Driver's Side black rubber connector (F) from Plow Harness.
4. Connect Headlight Adapter (73A) violet/yellow female bullet connector (G) to the Driver's Side Violet male bullet connector (H) of Plow Harness.
5. Connect Headlight Adapter (73A) violet male bullet connector (J) to clamp on splice bullet connector located on the OEM turn signal wire.
6. Connect plug (B) of Headlight Adapter (73B) into the vehicle Driver's Side headlamp.

7. Connect black rubber connector (C) of Headlight Adapter (73B) into Driver's Side blue plastic connector (D) from Plow Harness.

8. Repeat steps 1-7 for Passenger Side Headlight Adapter. Note that the Passenger's Side Plow Harness turn signal wire is Pink and will be mated to the Violet/Yellow wire of the Headlight Adapter.

Use Standard Orientation For: *All Ford Models *All 1988 & Newer GM Models *All Dodge Models with 4 Headlight System *All 2003 & Newer Dodge Models	<p>Standard Orientation</p>
Use Reverse Orientation For: *1994 - 2002 Dodge Models with 2 Headlight System (9004 Bulb) *1987 & Older GM Models with 4 Headlight System	<p>Reverse Orientation</p>

Figure 2. Vehicle Option Connector

G10202
G13985

9. Locate vehicle option connector. Align the connector so that the wire colors are positioned to match the vehicle it is installed on. This is illustrated in Figure 2.

Red _____ R
 BLUE _____ B
 BROWN _____ BR
 VIOLET _____ V
 BLUE/YELLOW _____ B/Y
 RED/YELLOW _____ R/Y
 VIOLET/YELLOW _____ R/Y

