



Drag Pro Undercarriage

for 2011 Through 2016 Ford F250/F350 Trucks

Part No. RPL21672—Serial No. 400000000 and Up

Part No. RPL21672B—Serial No. 400000000 and Up

Installation Instructions

BOSS Products limited consumer warranty and BOSS Products commercial warranty policies are located at www.BOSSPlow.com.

Patents pending.

Safety

- Always follow the vehicle manufacturer's recommendations relating to system installation. For recommended vehicle models, refer to the *BOSS Snowplow Application Chart and Selection Guide*.
- Never disable, remove, or relocate any sensors or other components related to the operation of the air bags.
- To comply with federal regulations and to assure a safe vehicle, do not exceed the front gross-axle-weight rating (FGAWR), rear gross-axle-weight rating (RGAWR), and the gross-vehicle-weight rating (GVWR) at any time.
- Due to the variety of equipment that you can install on the vehicle and undercarriage, do not exceed the front gross-axle-weight rating (FGAWR), rear gross-axle-weight rating (RGAWR), and the gross-vehicle-weight rating (GVWR) at any time. This may require weighing the vehicle and adding ballast as necessary. It may also limit the payload capacity of the vehicle.

Installation

Determine the left and right sides of the machine from the normal operating position.

1. Park the machine on a level surface, shut off the engine, wait for all moving parts to stop, engage the parking brake, and remove the key.
2. Remove the existing vehicle hitch and retain the hardware.
3. On the underside of the rear of the vehicle, loosely attach the undercarriage sideplates to the frame using the previously removed hardware.
4. Loosely attach the pushbeam to the sideplates using 8 bolts and locknuts ([Figure 1](#)).

Note: Refer to your plow *Owner's Manual* for the appropriate pushbeam height.

5. Torque the bolts to 76 N·m (56 ft-lb).

Note: Torque the existing bolts according to your vehicle manufacturer's recommendation.

6. Install the hitch reducer, if needed.



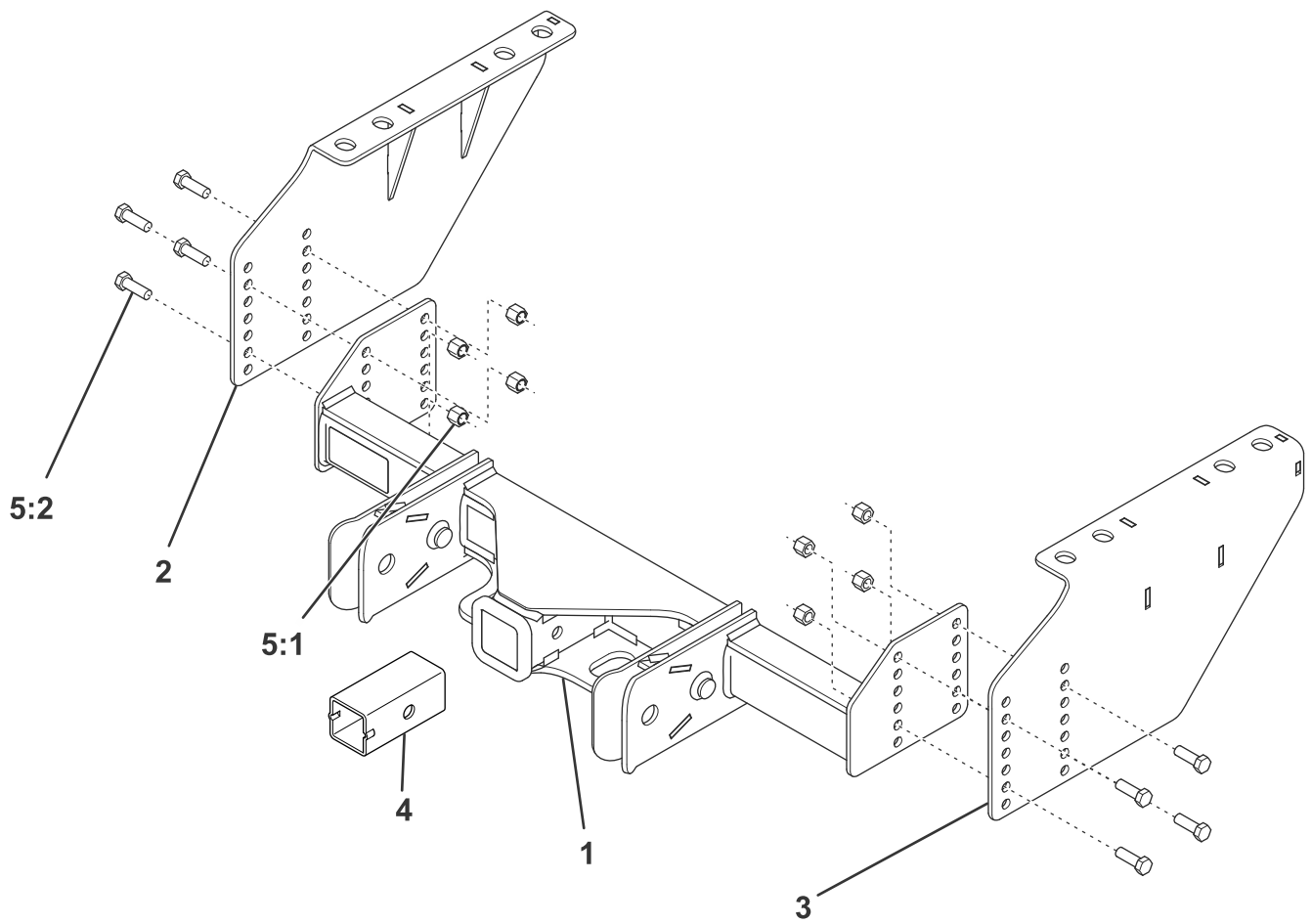


Figure 1
Parts

g296770

Ref.	Part Number	Qty.	Description
1	RPL21849	1	PB ASSY, FORD 11-16, DRAG PRO
2	RPL21673-03	1	WLDMNT, SIDEPLATE, FORD, MY 11-16, DS, DRGPRO
3	RPL21675-03	1	WLDMNT, SIDEPLATE, FORD, PS, MY 11-16, DRGPRO
4	RPL21897	1	REDUCER SLEEVE, 2 1/2" TO 2", DRAG PRO
5	HDW21766	1	HARDWARE KIT
5:1	HDW01748	8	NUT, 1/2-13, NYL INS, YZN
5:2	HDW01728	8	HHCS, 1/2-13 X 1-1/2, NC, GR5, YZN