

Installation Instructions

Note: Installing this kit will change the weight of your plow. Ensure that your vehicle does not exceed the gross-vehicle-weight rating (GVWR) at any time. You may need to weigh the vehicle and add ballast or limit the payload of the vehicle to compensate.

1. Park the machine on a level surface, and raise the plow a little off the ground.
2. Place a jack stand under the plow cross brace, shut off the vehicle engine, engage the parking brake, and remove the key.
3. Remove the bolts, washers, and nuts securing the cutting edge to the plow and discard them (Figure 1).

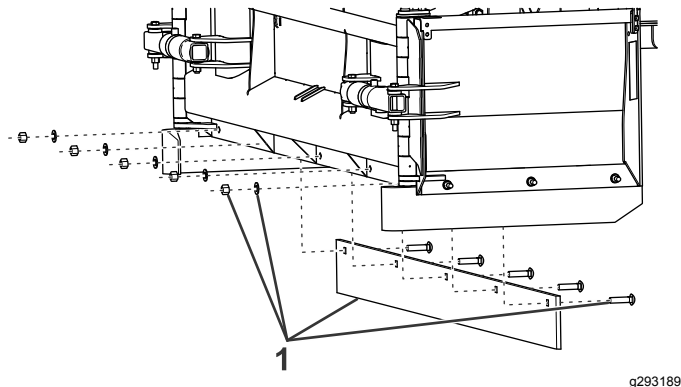


Figure 1

1. Remove and discard.

4. Install the rubber cutting edge using the bolts, strap, washers, and nuts provided as shown in Figure 2.

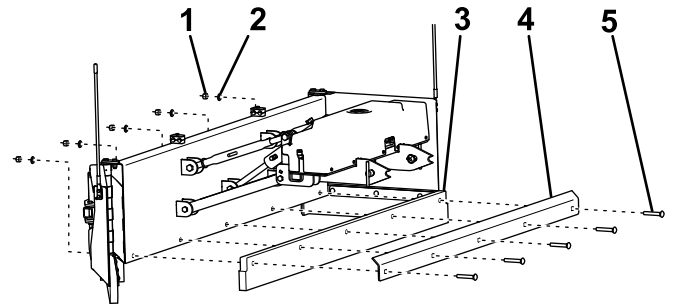


Figure 2

- | | |
|------------------------|----------|
| 1. Nut | 4. Strap |
| 2. Washer | 5. Bolt |
| 3. Rubber cutting edge | |

5. Torque the fasteners to 153 N·m (113 ft-lb).