

### Installation Instructions

#### **⚠ DANGER**

**Vehicle batteries can cause dangerous electrical shocks that could lead to severe burns or death.**

**Disconnect your battery before installing this kit.**

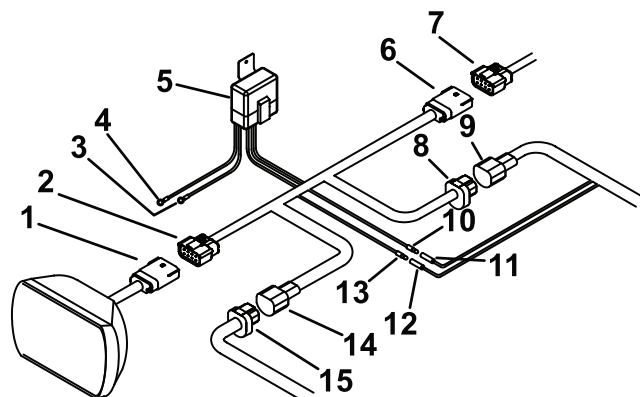
Determine the left and right sides of the machine from the normal operating position.

1. Disconnect the wire harness plug from the back of the left vehicle headlight housing.
 

**Note:** Partially remove the vehicle wheel well liner for better access.
2. Connect the female plug of the headlight adapter to the back of the left vehicle headlight housing.
3. Connect the male plug of the headlight adapter to the vehicle harness.
4. Connect the blue plastic connector of the headlight adapter harness to the black rubber connector of the plow harness.
5. Connect the black rubber connector of the headlight adapter harness to the blue plastic connector of the plow harness.
6. Connect the ring terminal from the red wire to the positive post of the vehicle battery.
7. Connect the ring terminal from the brown wire to the negative post of the vehicle battery.
8. Mount relay pack in a dry area away from hot engine components and in an upright position.
9. Connect the yellow bullet plug of the headlight adapter harness to the yellow bullet plug on the plow harness.
10. Connect the violet bullet plug of the headlight adapter harness to the violet bullet plug on the plow harness.
11. Repeat steps 1 to 8 on the right side of the vehicle.
12. Connect the violet bullet plug of the headlight adapter harness to the pink bullet plug on the plow harness on the right side of the vehicle.

13. Grease, tuck, and secure the yellow bullet plug, from the headlight adapter harness, on the right side of the vehicle.

**Note:** You will not use this connector.



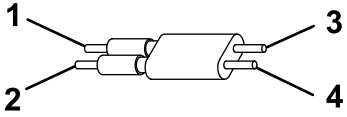
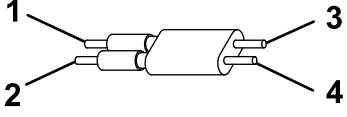
**Figure 1**

g353263

- |   |   |
|---|---|
| 1. Vehicle headlamp connector               | 9. Black rubber connector (plow harness)  |
| 2. Female plug (adapter harness)            | 10. Violet bullet plug (adapter harness)  |
| 3. Red ring connector                       | 11. Violet plug (drivers side vehicle harness) / Pink plug (passenger side vehicle harness) |
| 4. Brown ring connector                     | 12. Yellow bullet plug (driver side only)   |
| 5. Relay                                    | 13. Yellow bullet plug (adapter harness)  |
| 6. Male plug (adapter harness)              | 14. Black rubber connector (adapter harness)  |
| 7. Vehicle harness                          | 15. Blue plastic connector (plow harness)   |
| 8. Blue plastic connector (adapter harness) |   |



14. Locate the vehicle option connector and align it in the standard orientation as shown below:

Orientation	Wire Colors
Standard orientation	 <p>1. Red/yellow      3. Red/yellow 2. White/yellow    4. White/yellow</p>
Reverse orientation	 <p>1. White/yellow      3. Red/yellow 2. Red/yellow        4. White/yellow</p>