

## Installation Instructions

BOSS Products limited consumer warranty and BOSS Products commercial warranty policies are located at [www.BOSSPlow.com](http://www.BOSSPlow.com).

## Safety

- Always follow the vehicle manufacturer's recommendations relating to system installation. For recommended vehicle models, refer to the *BOSS Snowplow Application Chart and Selection Guide*.
- Never disable, remove, or relocate any sensors or other components related to the operation of the air bags.
- To comply with federal regulations and to assure a safe vehicle, do not exceed the front gross-axle-weight rating (FGAWR), rear gross-axle-weight rating (RGAWR), and the gross-vehicle-weight rating (GVWR) at any time.
- Due to the variety of equipment that you can install on the vehicle and undercarriage, do not exceed the front gross-axle-weight rating (FGAWR), rear gross-axle-weight rating (RGAWR), and the gross-vehicle-weight rating (GVWR) at any time. This may require weighing the vehicle and adding ballast as necessary. It may also limit the payload capacity of the vehicle.

## Installation

1. Park the vehicle on a level surface, shut off the engine, and remove the key.
2. Remove the hardware that secure the lower bumper valance to the bumper trim.
3. Remove the lower bumper valance ([Figure 1](#)).

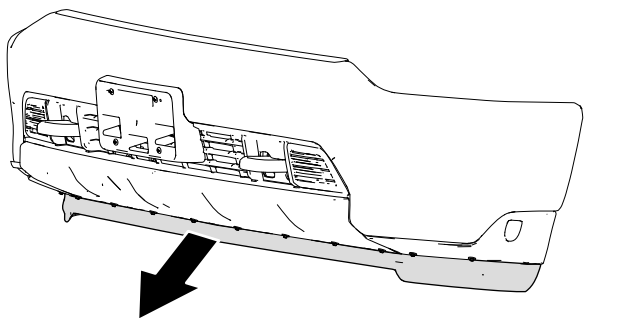


Figure 1

4. Remove the hardware that secures the existing bumper trim to the bumper.

**Note:** Retain any extra hardware in case of future removal of the new bumper trim.

5. Remove the existing bumper trim ([Figure 2](#)).

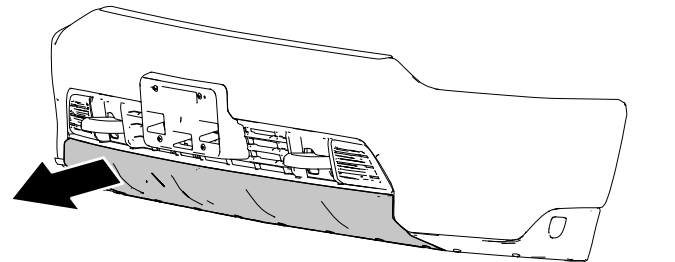


Figure 2

6. Remove the J-nuts from the existing bumper trim and install them on the new bumper trim.
7. Use the previously-removed hardware to secure the new bumper trim to the bumper ([Figure 3](#)).

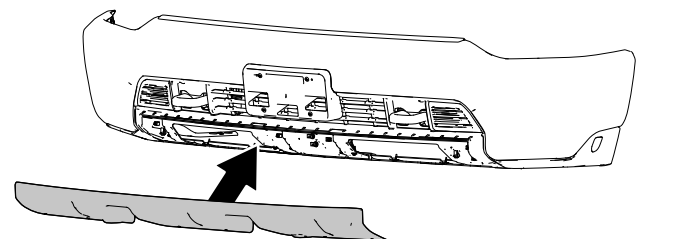
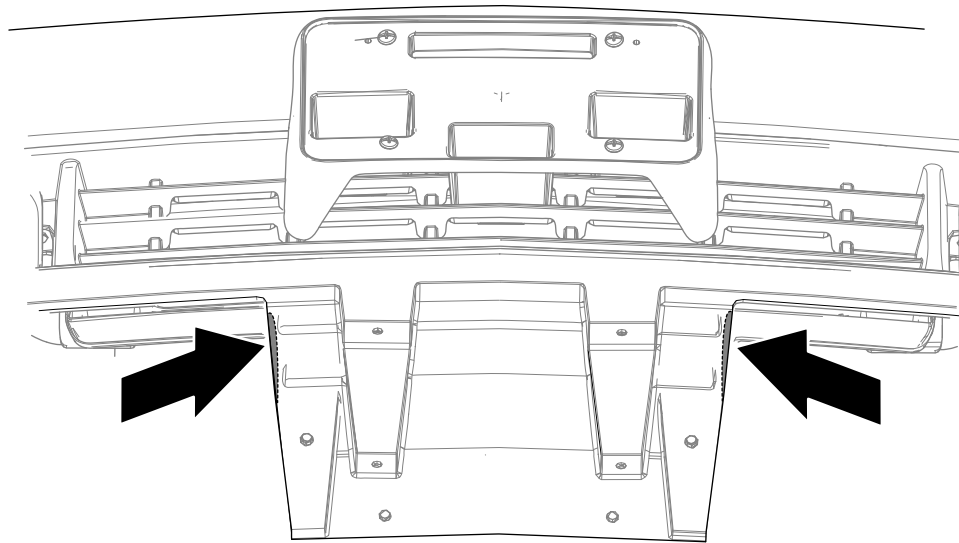


Figure 3



You may need to trim a small amount of the bumper to get the new bumper trim to fit. [Figure 4](#) shows the area that you must trim.



**Figure 4**

g329205

---

**Note:** If the existing trim may be installed in the future, save the trim.

**Note:** If you are installing a license plate, use existing license plate hardware or other appropriately-sized screws.