

Installation Instructions

BOSS Products limited consumer warranty and BOSS Products commercial warranty policies are located at www.BOSSPlow.com.

Safety

- Always follow the vehicle manufacturer's recommendations relating to system installation. For recommended vehicle models, refer to the *BOSS Snowplow Application Chart and Selection Guide*.
- Never disable, remove, or relocate any sensors or other components related to the operation of the air bags.
- To comply with federal regulations and to assure a safe vehicle, do not exceed the front gross-axle-weight rating (FGAWR), rear gross-axle-weight rating (RGAWR), and the gross-vehicle-weight rating (GVWR) at any time.
- Due to the variety of equipment that you can install on the vehicle and undercarriage, do not exceed the front gross-axle-weight rating (FGAWR), rear gross-axle-weight rating (RGAWR), and the gross-vehicle-weight rating (GVWR) at any time. This may require weighing the vehicle and adding ballast as necessary. It may also limit the payload capacity of the vehicle.

Installation

1. Park the vehicle on a level surface, shut off the engine, and remove the key.
2. Remove the hardware that secure the lower bumper valance to the bumper trim.
3. Remove the lower bumper valance ([Figure 1](#)).

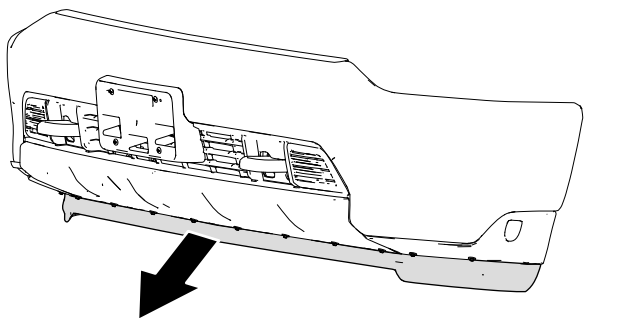


Figure 1

4. Remove the hardware that secures the existing bumper trim to the bumper.

Note: Retain any extra hardware in case of future removal of the new bumper trim.

5. Remove the existing bumper trim ([Figure 2](#)).

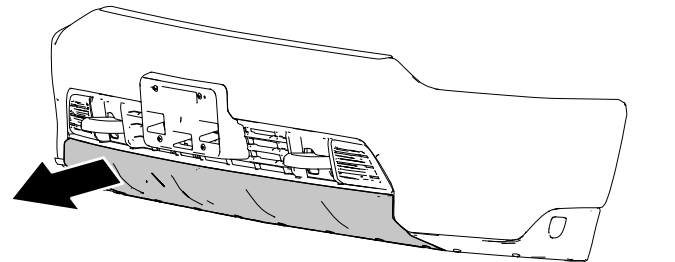


Figure 2

6. Remove the J-nuts from the existing bumper trim and install them on the new bumper trim.
7. Use the previously-removed hardware to secure the new bumper trim to the bumper ([Figure 3](#)).

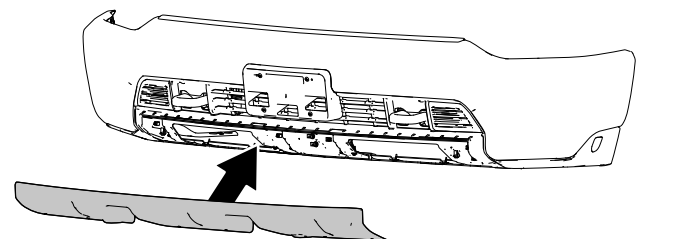


Figure 3



You may need to trim a small amount of the bumper to get the new bumper trim to fit. [Figure 4](#) shows the area that you must trim.

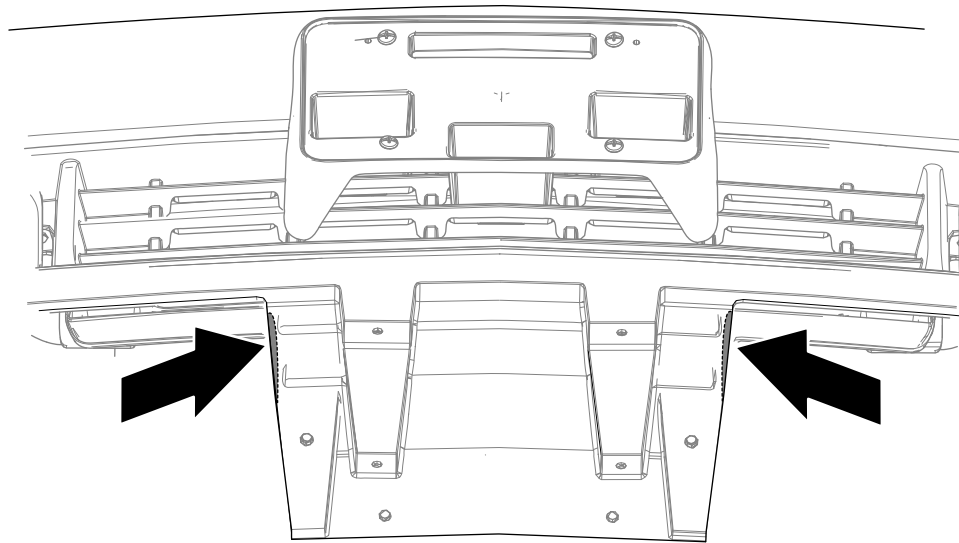


Figure 4

g329205

Note: If the existing trim may be installed in the future, save the trim.

Note: If you are installing a license plate, use existing license plate hardware or other appropriately-sized screws.