

Installation Instructions

1. Park your vehicle on a level surface, engage the parking brake, shut off the engine, and remove the keys.
2. Install the light assemblies onto the brackets.

3. Install the light assembly to the rubber spacer and hand tighten the nut.

Note: Use the smaller spacer block for Dodge Ram trucks.

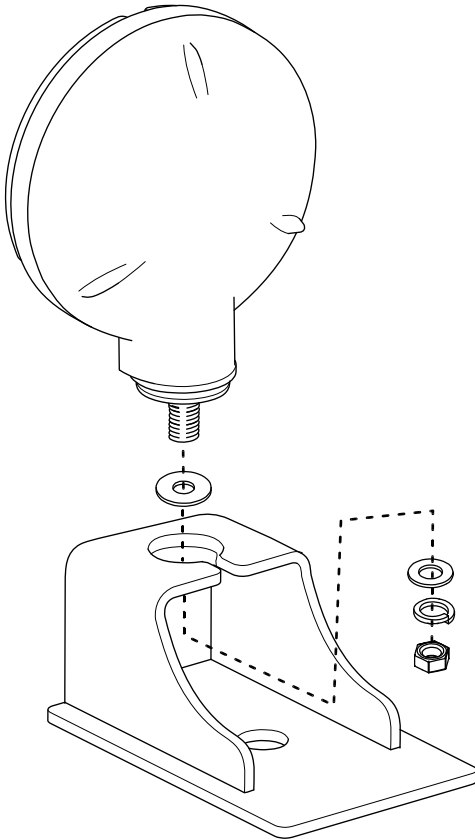


Figure 1

g340922

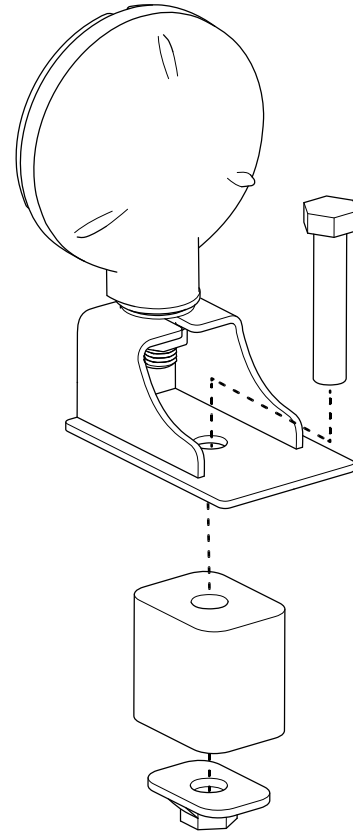


Figure 2

g340908



4. Tighten the nut so that the rubber compresses and forms underneath the stake pocket to secure the light assembly to the truck.

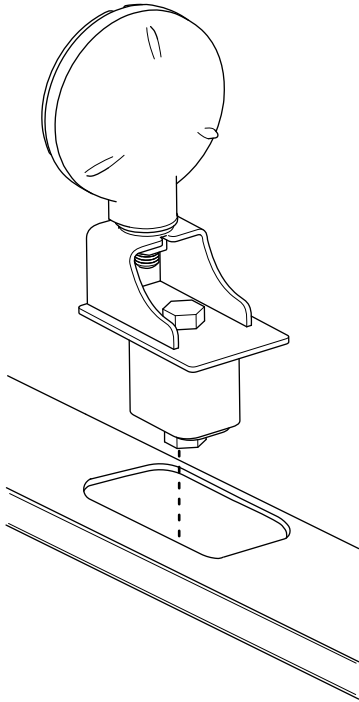


Figure 3

g341018

5. Connect the longer side of the wire harness to the passenger side light.
6. Connect the other side of the wire harness to the driver side light.
7. Connect the 4-pin wire harness to the 4-pin truck connector.

Note: You will need an adapter if your truck is equipped with a 7-pin connector.

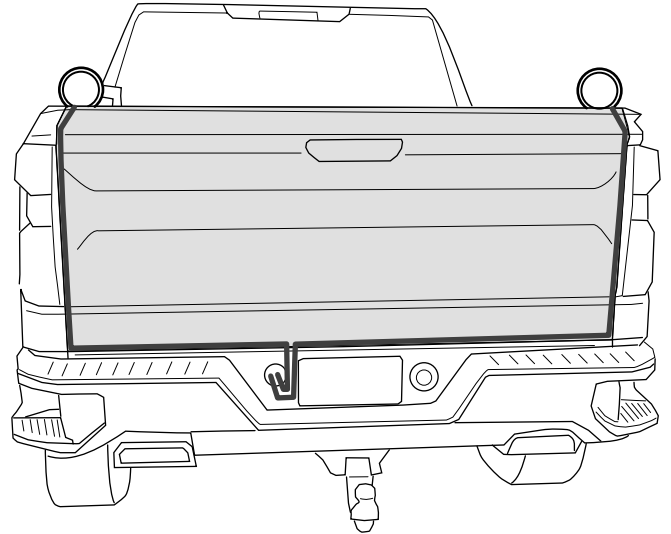


Figure 4

g340885