

Installation Instructions

BOSS Products limited consumer warranty and BOSS Products commercial warranty policies are located at www.BOSSPlow.com.

Patent www.ttcopats.com.

Safety

- Always follow the vehicle manufacturer's recommendations relating to system installation. For recommended vehicle models, refer to the *BOSS Snowplow Application Chart and Selection Guide*.
- Never disable, remove, or relocate any sensors or other components related to the operation of the air bags.
- To comply with federal regulations and to assure a safe vehicle, do not exceed the front gross-axle-weight rating (FGAWR), rear gross-axle-weight rating (RGAWR), and the gross-vehicle-weight rating (GVWR) at any time.
- Due to the variety of equipment that you can install on the vehicle and undercarriage, do not exceed the front gross-axle-weight rating (FGAWR), rear gross-axle-weight rating (RGAWR), and the gross-vehicle-weight rating (GVWR) at any time. This may require weighing the vehicle and adding ballast as necessary. It may also limit the payload capacity of the vehicle.

Installation

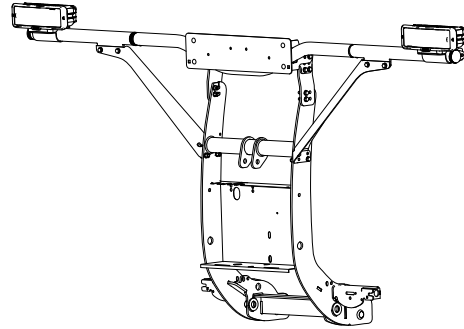


Figure 1

g330194

Determine the left and right sides of the machine from the normal operating position.

1. Park the vehicle on a level surface, turn off the engine, and remove the key.
2. Install the riser brackets using 4 bolts (3/8-16 x 1-1/2 inches), 8 washers, and 4 nuts (3/8 inch).

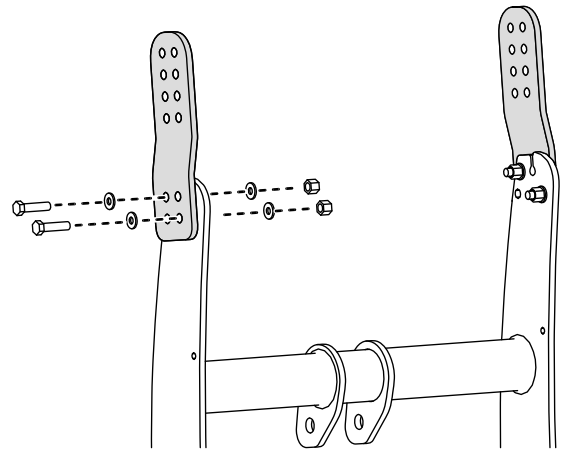


Figure 2

g330080

3. Install the light bar using 4 bolts (3/8-16 x 1-1/2 inches), 8 washers, and 4 nuts (3/8 inch).

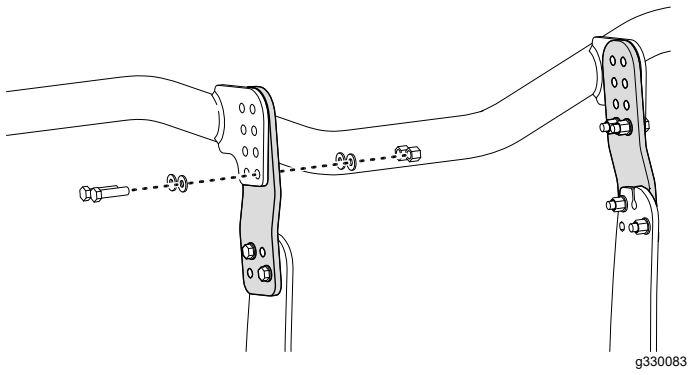


Figure 3

4. Install the licence bracket using 4 bolts (3/8-16 x 1-1/2 inches), 8 washers, and 4 nuts (3/8 inch).

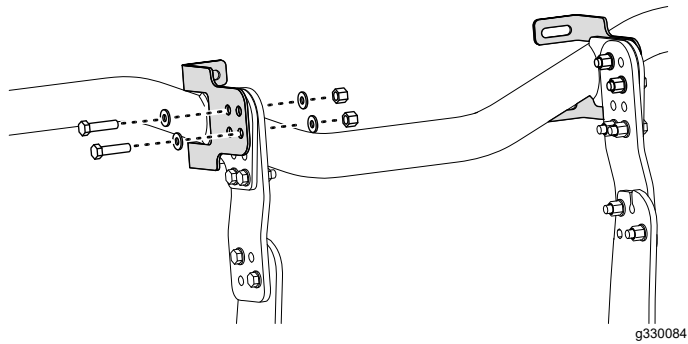


Figure 4

5. Install the license plate frame (sold separately).

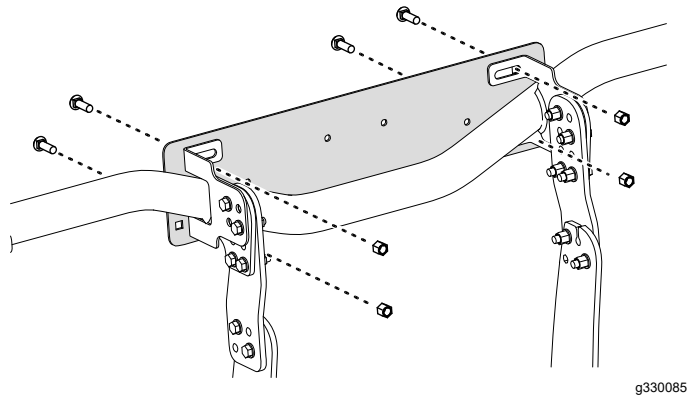


Figure 5

6. Remove the plug on the end of the light bar and install the light bar extensions into the light bar.

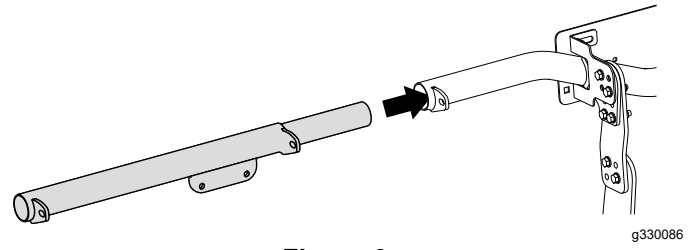


Figure 6

7. Install the spacer using 2 bolts (3/8-16 x 2 inches), 4 washers, and 2 nuts (3/8 inch).

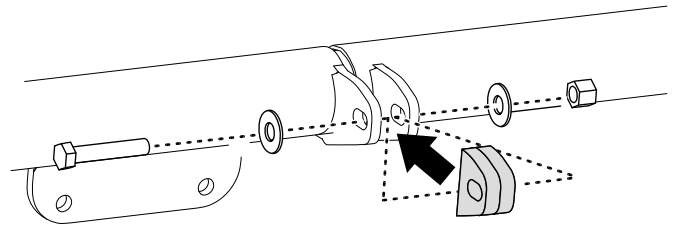


Figure 7

8. Secure the top of the angle brackets on the light bar extension using 4 bolts (3/8-16 x 1-1/4 inches), 8 washers, and 4 nuts (3/8 inch).

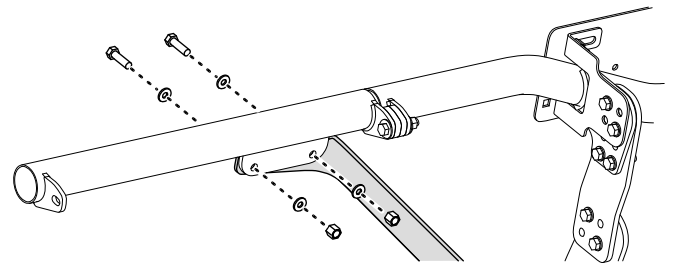


Figure 8

9. Using 2 people, hold the light bar and extension level with the ground, mark and drill the bottom holes of the bottom of the angle brackets.

Note: Ensure that the vehicle is parked on a level surface.

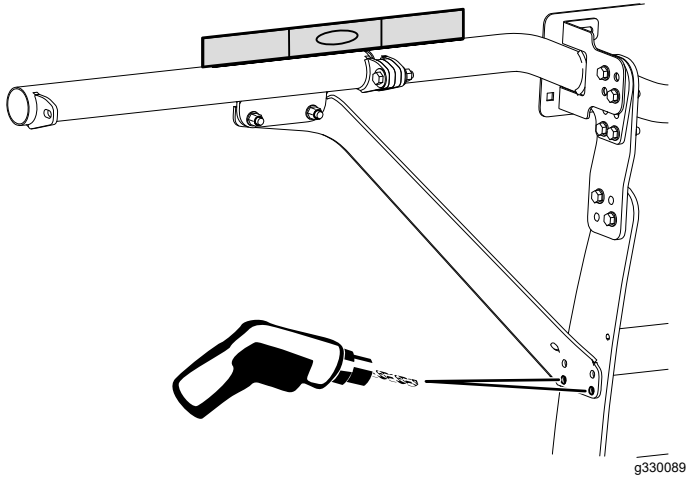


Figure 9

10. Secure the lower part of the angle brackets using 4 bolts (3/8-16 x 1-1/4 inches), 8 washers, and 4 nuts (3/8 inch).

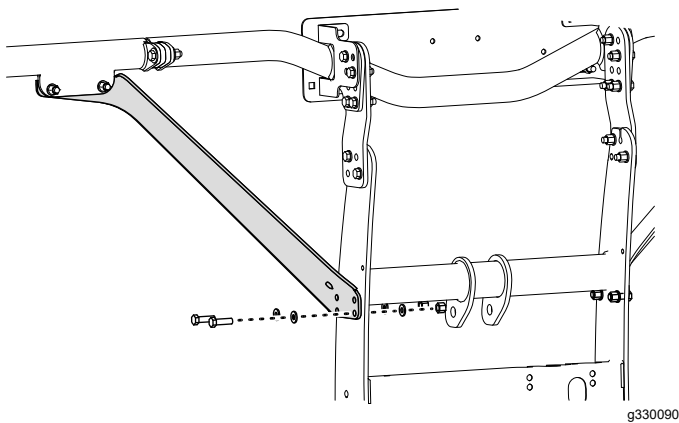


Figure 10

11. Install the light assembly and plug (sold separately).

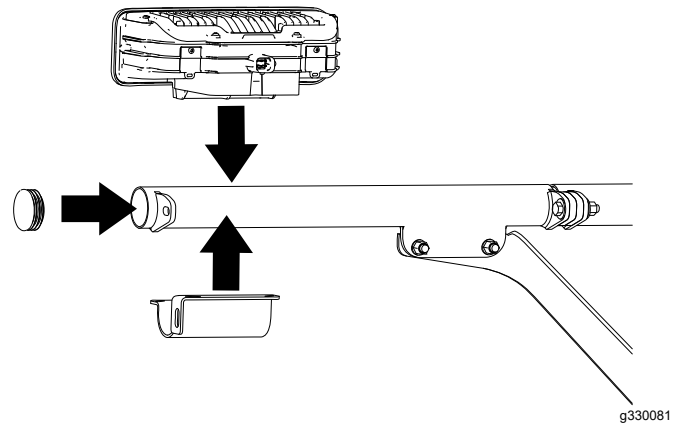


Figure 11

12. Secure the light assembly to the extension using the hardware in the light kit.

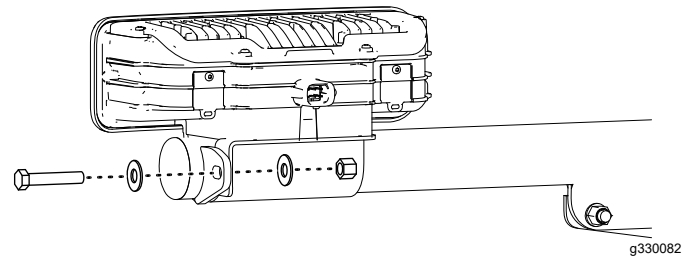


Figure 12

13. Attach the wire harnesses to the back of the lights. Connect the ends of the harnesses to the plow wire harness.

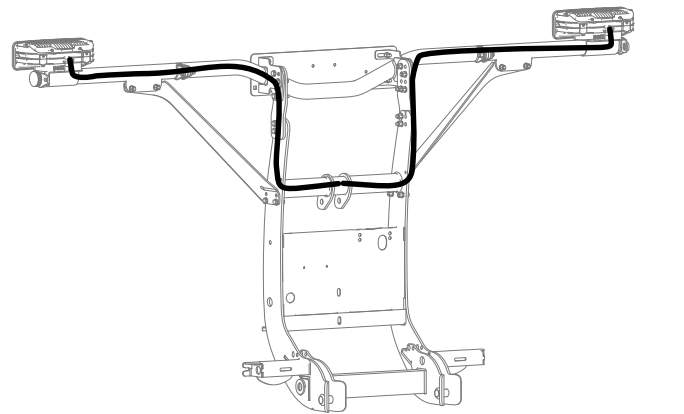
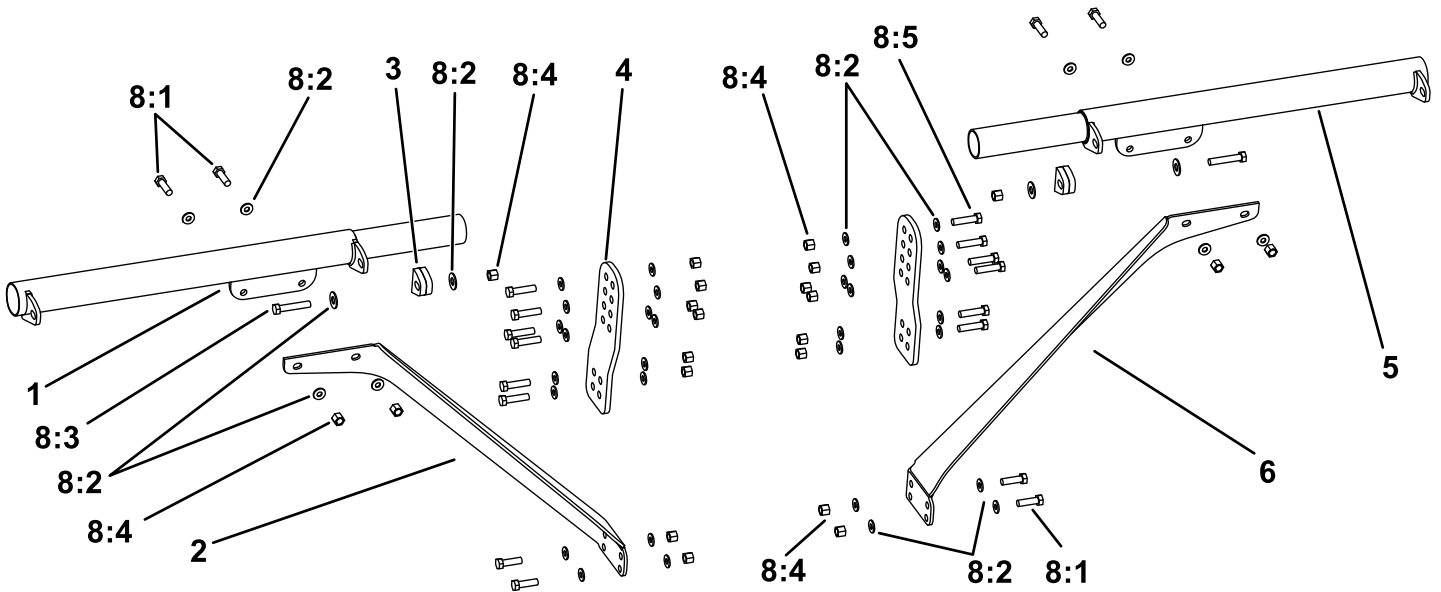


Figure 13



Parts

g330193

Ref.	Part Number	Qty.	Description
1	LBA25305-03	1	DS WLDMNT,9'2" LIGHTBAR EXTNSIONS[BLACK]
	LBA25308-03	1	DS WLDMNT,8'2" LIGHTBAR EXTNSIONS[BLACK]
	LBA25311-03	1	DS WLDMNT,7'6" LIGHTBAR EXTNSIONS[BLACK]
2	LBA25315-03	1	DS ANG BRKT WLDT,LIGHTBAR EXTNSIONS[BLK]
3	LBA25319-03	2	WELDMNT,TAB SPACER,LIGHTBAR EXTENSION
4	LBA25317-03	2	STANDOFF RISER,LIGHTBAR EXTNSIONS[BLACK]
5	LBA25304-03	1	PS WLDMNT,9'2" LIGHTBAR EXTNSIONS[BLACK]
	LBA25307-03	1	PS WLDMNT,8'2" LIGHTBAR EXTNSIONS[BLACK]
	LBA25310-03	1	PS WLDMNT,7'6" LIGHTBAR EXTNSIONS[BLACK]

Ref.	Part Number	Qty.	Description
6	LBA25314-03	1	PS ANG BRKT WLDT,LIGHTBAR EXTNSIONS[BLK]
(not shown)	MSC25220	1	LIGHTBAR HARNESS-EXTENSION,SL3
8	LBA25303	1	HDW KIT, LIGHTBAR EXTNSIONS
8:1	HDW01771	8	HHCS,3/8-16X1-1/4, NC,GR5,YZN
8:2	HDW06967	44	WASHER-FLAT[5/16 TYP A WIDE,
8:3	HDW05515	2	HHCS,3/8-16X2 GR5 PLT
8:4	HDW01720	22	NUT,3/8-16,NYL INS,YZN
8:5	HDW01719	12	HHCS,3/8-16X1 1/2, NC,GR5,YZN