

BOSS Products limited consumer warranty and BOSS Products commercial warranty policies are located at www.BOSSPlow.com.

Patent www.ttcopats.com.

Safety

- Always follow the vehicle manufacturer's recommendations relating to system installation. For recommended vehicle models, refer to the *BOSS Snowplow Application Chart and Selection Guide*.
- Never disable, remove, or relocate any sensors or other components related to the operation of the air bags.
- To comply with federal regulations and to assure a safe vehicle, do not exceed the front gross-axle-weight rating (FGAWR), rear gross-axle-weight rating (RGAWR), and the gross-vehicle-weight rating (GVWR) at any time.
- Due to the variety of equipment that you can install on the vehicle and undercarriage, do not exceed the front gross-axle-weight rating (FGAWR), rear gross-axle-weight rating (RGAWR), and the gross-vehicle-weight rating (GVWR) at any time. This may require weighing the vehicle and adding ballast as necessary. It may also limit the payload capacity of the vehicle.
- Do not exceed the vehicle manufacturer's recommended towing capacity.

Installation

Determine the left and right sides of the machine from the normal operating position.

1. Park the machine on a level surface, shut off the engine, wait for all moving parts to stop, engage the parking brake, and remove the key.
2. Remove the fasteners from the vehicle frame.

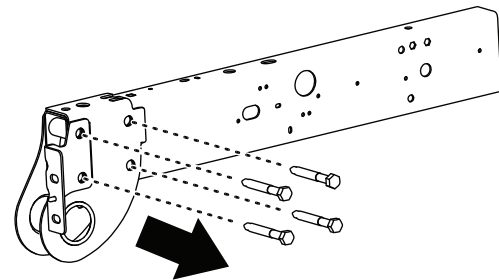


Figure 1

g353479

⚠ WARNING

Using a drill without wearing eye protection may allow debris to enter the eye, causing personal injury.

When drilling, always wear eye protection.



- Using the side plate as a guide, line up the hole that is most rearward, mark the position of the holes, and drill them in the frame.

Note: There are 2 passenger side sideplates. The side plate with 2 front holes is for the mega-cab models and the side plate with 3 holes are for the standard models.

Note: The inner holes vary depending on the vehicle. Utilize 1 of the existing holes and drill the other. Secure the side plate with a minimum of 2 sets of hardware for both the rear and front parts of the side plate.

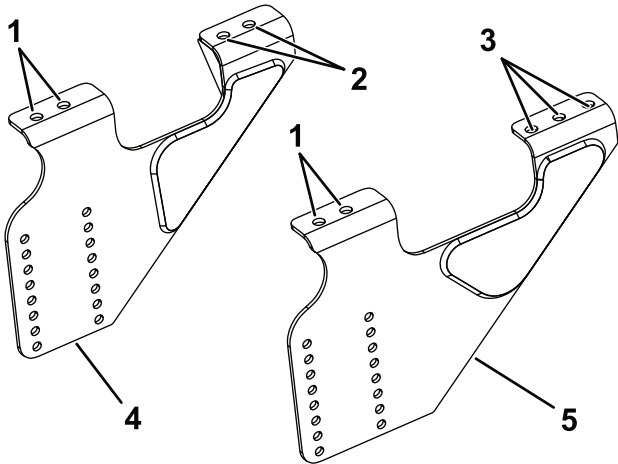


Figure 2

g354810

- | | |
|-------------------------------------------------------------------------------------------|------------------------------------|
| 1. Rearward holes. Utilize both holes for mounting. | 4. Side plate for mega cab models. |
| 2. Front holes for mega cab models; use both holes for mounting the side plate.. | 5. Side plate for standard models. |
| 3. Front holes for standard models; use a minimum of 2 holes for mounting the side plate. | |

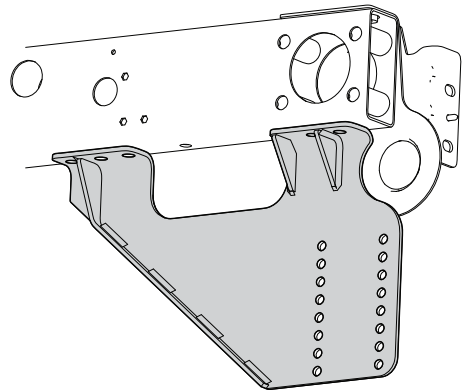
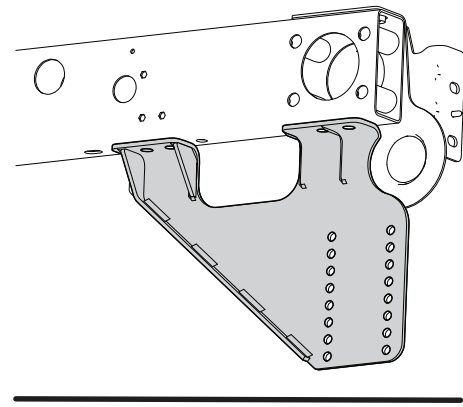


Figure 3

g353480

- Using the bolt pullers, loosely attach the side plates to the frame using 8 bolts (5/8 x 2 inches), a compression strap, 8 split lock washers, and 8 nuts (5/8 inch).

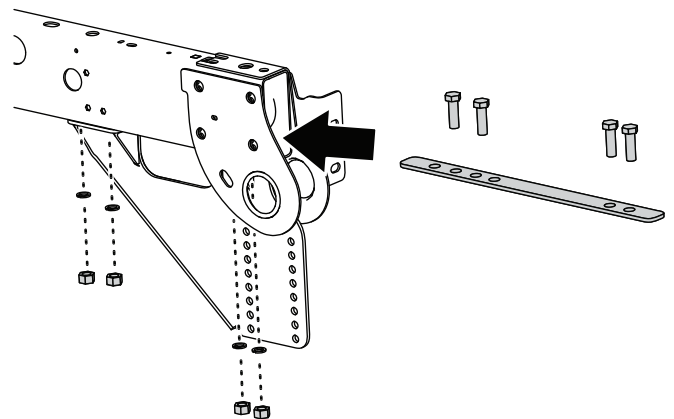


Figure 4

g353481

- Loosely attach the bottom of the sidestraps to the sideplates using 4 bolts (1/2 inch) and nuts.

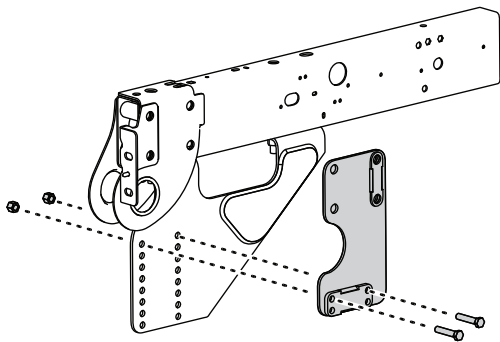


Figure 5

g353536

- Secure the top of the sidestraps with 8 bolts (M16) into the welded nuts on the vehicle frame.

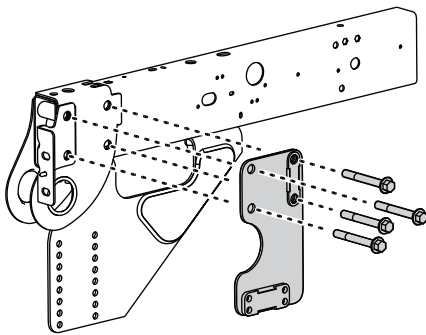


Figure 6

g353537

- Loosely attach the pushbeam to the sideplates using 8 bolts (1/2 inch) and locknuts (Figure 7).

Note: Refer to the Recommended Pushbeam Height table.

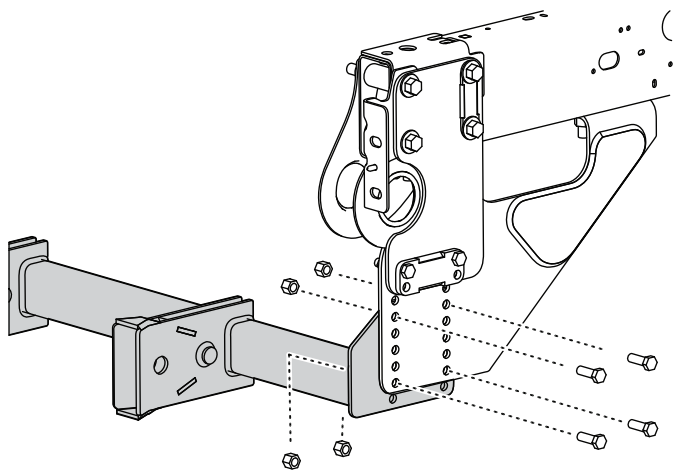


Figure 7

g353484

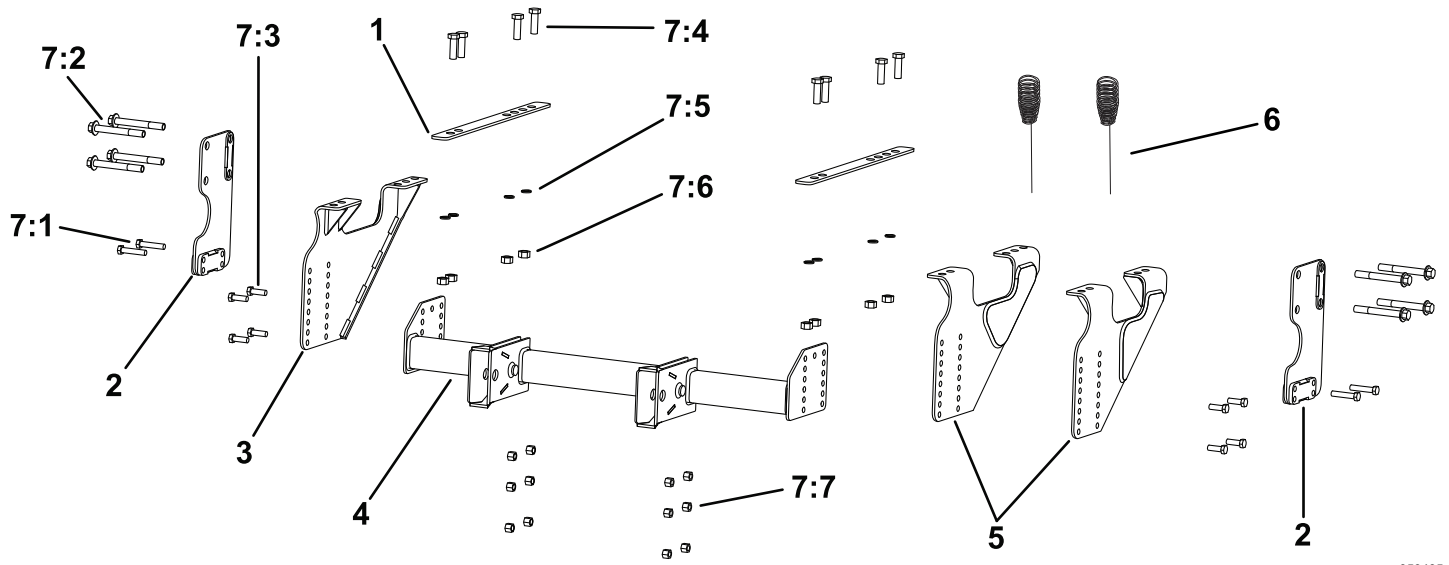
- Torque all the fasteners to the following specifications:

- 5/8-inch bolts to 153 N·m (113 ft-lb)
- 1/2-inch bolts to 76 N·m (56 ft-lb)
- M16 bolts to 225 N·m (166 ft-lb)

Note: Torque the vehicle fasteners according to your vehicle manufacturer's recommendation.

Recommended Pushbeam Height

Plow Type	Recommended Pushbeam Height
Rear Mounted Plow	19 inches
UTV	17-1/2 inches
Heavy Duty	16-1/2 inches
Standard Duty	15-1/2 inches
HTX/Sport Duty	14-1/2 inches



Parts

g353485

Ref.	Part Number	Qty.	Description	Ref.	Part Number	Qty.	Description
1	RPL25712-03	2	COMPRESSION STRAP,19+ RAM 3500	7	HDW25715	1	KIT-HARDWARE,UC,DODGE 19+ 1T,D
2	RPL25708-03	2	SIDE STRAP WLDMT, 19+ RAM 3500	7:1	HDW05917	4	HHCS,1/2-13X2-1/2,GR5,PLT
3	RPL25701-03	1	DS SIDE PLT WLDMT,19+ RAM 3500	7:2	HDW25714	8	HHCS,M16X130MM,10.9,FLANGE H
4	RPL21895-03	1	WLDMNT,PUSHBEAM,UDODGE 3500/25	7:3	HDW01728	8	HHCS, 1/2-13 X 1-1/2, NC, GR5, YZN
5	RPL25724-03 (for mega cab models)	1	PS ALT SID PLT WLDMT,19+ RAM35	7:4	HDW01731	8	HHCS, 5/8-11 X 2, GR5, YZN
5	RPL25702-03 (for standard models)	1	PS SIDE PLT WLDMT, 19+ RAM 350	7:5	HDW03891	8	WASHER-LOCK, SPLIT, 5/8, YZN
6	MSC09738	2	BOLT PULLER, 5/8-11	7:6	HDW01777	8	NUT, 5/8-11, FIN, FULL, YZN
				7:7	HDW01748	12	NUT, 1/2-13, NYL INS, YZN