

BOSS Products limited consumer warranty and BOSS Patent www.ttcopats.com.
Products commercial warranty policies are located
at www.BOSSPlow.com.

Note: The tank and hose are for reference only and are not included in this kit.

Installing the Kit

1. Install the fittings to the additional tank as shown below.

Note: Add pipe sealant to the threads of the adapter fitting before installing it.

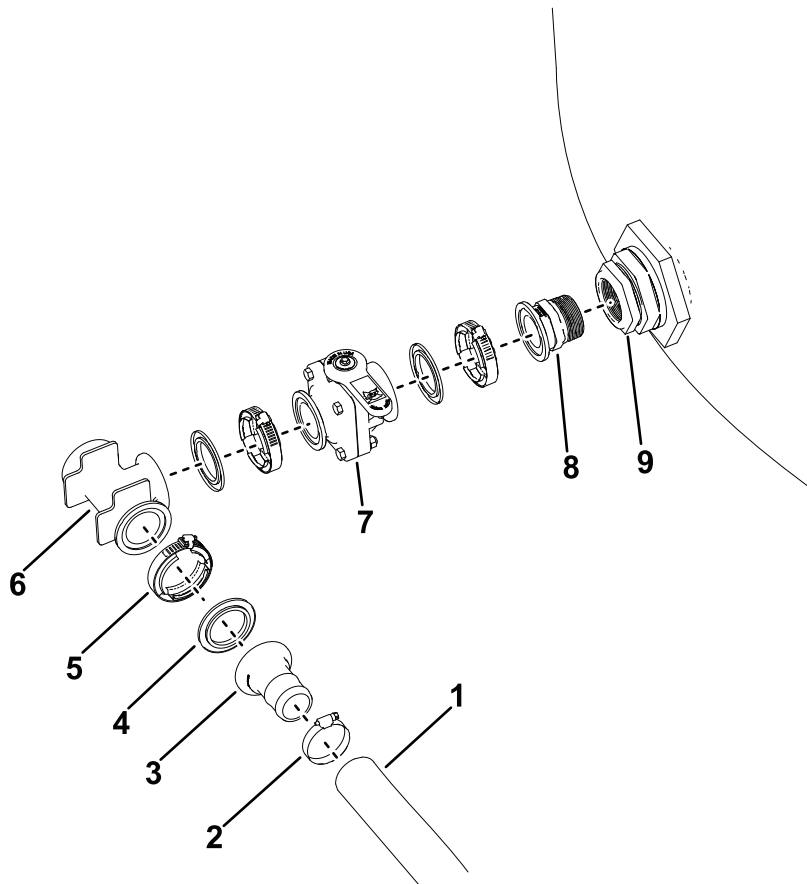


Figure 1

g504511

- | | |
|------------------------|----------------------------|
| 1. Hose (not included) | 6. Tee fitting |
| 2. Hose clamp | 7. Ball valve |
| 3. Straight fitting | 8. Adapter fitting |
| 4. Flange gasket | 9. Additional tank fitting |
| 5. V-band clamp | |



2. Attach the hose to the existing tee fitting using the hose clamp, straight fitting, flange gasket, and V-band clamp.

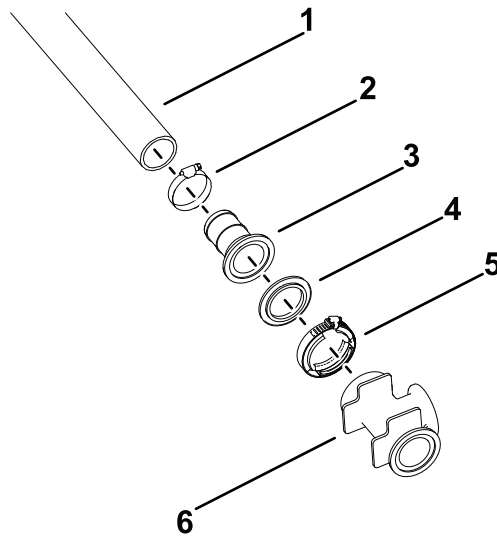


Figure 2

g504524

- | | |
|------------------------|-------------------------------|
| 1. Hose (not included) | 4. Flange gasket |
| 2. Hose clamp | 5. V-band clamp |
| 3. Straight fitting | 6. Tee fitting (not included) |