

BOSS Products limited consumer warranty and BOSS Patent [www.ttcopats.com](http://www.ttcopats.com).  
Products commercial warranty policies are located at [www.BOSSPlow.com](http://www.BOSSPlow.com).

**Note:** The intermediate bulk container is for reference only and is not included in this kit.

## Installing the Kit to the Top of the Bulk Tank

### **⚠ WARNING**

Drilling into a used bulk tank containing flammable vapors could cause a fire and/or explosion that results in death or serious injury.

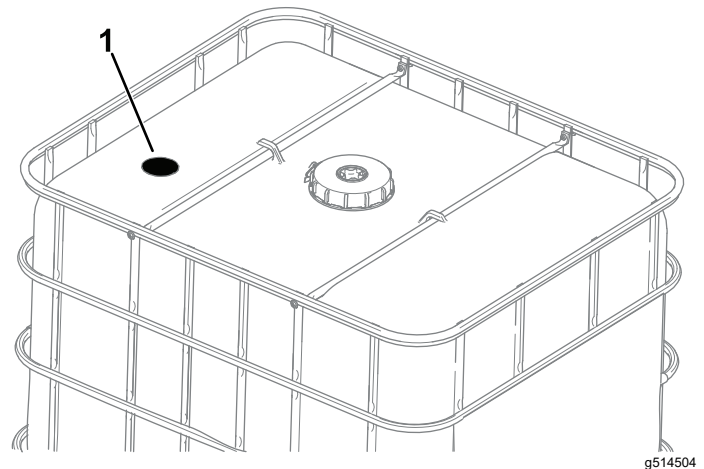
- Use a new tank container if possible.
- Do not use a tank that previously contained a flammable liquid.
- Carefully read and follow the chemical warning labels and safety data sheet(s) (SDS) for the chemical previously used in the tank, and protect yourself by wearing the appropriate personal protective equipment (PPE) and handling the material as directed.

### **⚠ WARNING**

Using a drill without proper eye protection may allow debris to enter the eye, causing injury.

**When drilling, always wear eye protection.**

1. Empty the bulk container.
2. If the cap on the bulk container is not vented, remove the cap use a drill bit (1/2 inch) to drill a hole in the cap.
3. Use a drill bit (3-1/4 inches) to drill a hole at the top of the bulk container.

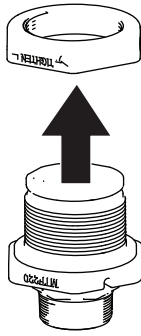


**Figure 1**

1. Hole location



4. Remove the tank flange nut from the bulkhead assembly.



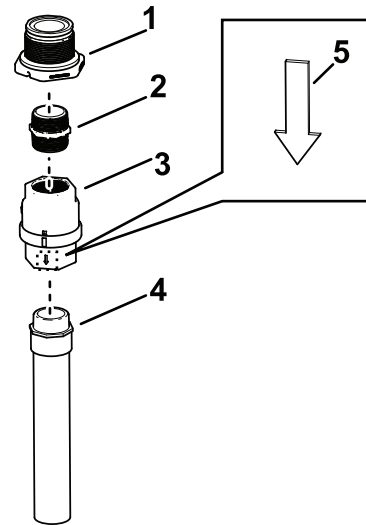
**Figure 2**

g514508

5. Remove the cap on the bulk container.

6. Assemble the components to the bypass pipe as shown below.

**Note:** Add pipe sealant to the threads of the fittings before installing them.

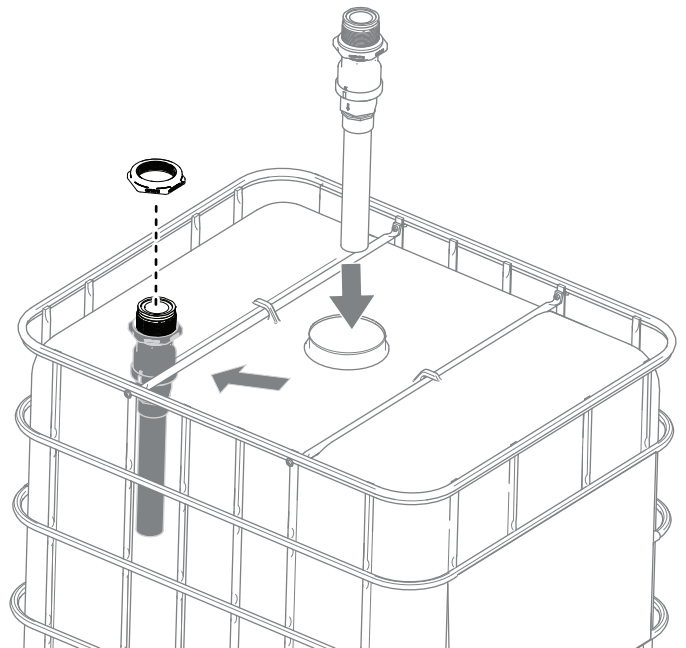


**Figure 3**

g514451

1. Bulkhead assembly body
2. Straight fitting
3. Check valve
4. Bypass pipe assembly
5. The check-valve arrow should be pointing down towards the pipe assembly.

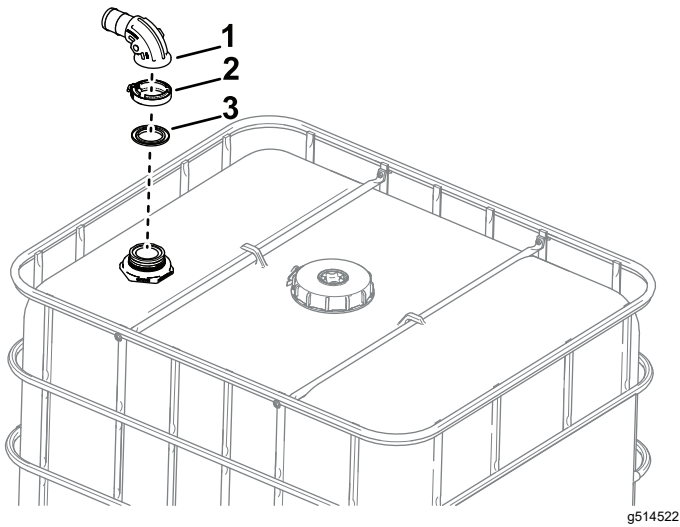
7. Insert the bypass pipe assembly through the tank neck and route it to the newly drilled hole. Secure the assembly to the tank using the tank flange nut.



**Figure 4**

g514472

8. Install the flange gasket, screw clamp, and elbow fitting onto the bulkhead assembly.

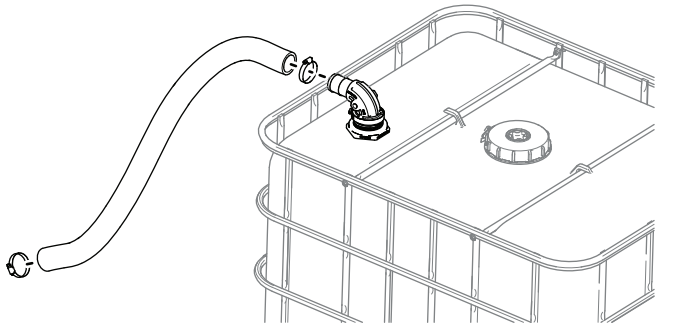


g514522

**Figure 5**

1. Elbow fitting  
2. Screw clamp  
3. Flange gasket

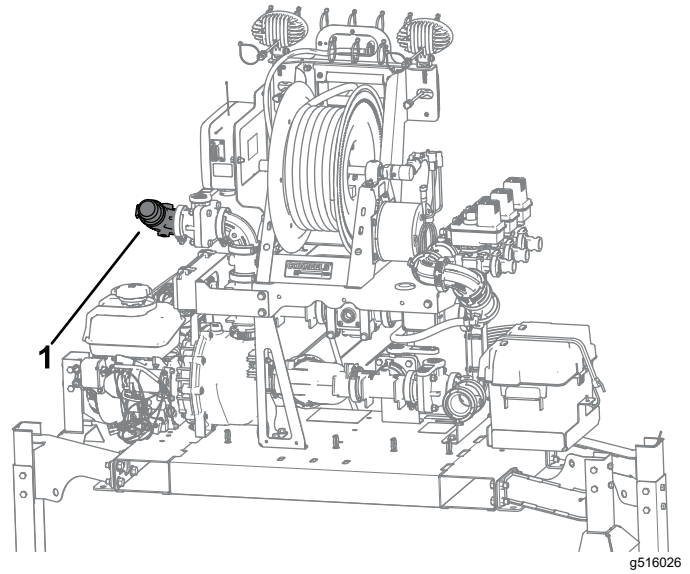
9. Use a hose clamp to secure the hose onto the elbow fitting.



g514535

**Figure 6**

10. Using a hose clamp, connect the hose to the pressure side fitting on the Automated Power Bundle.



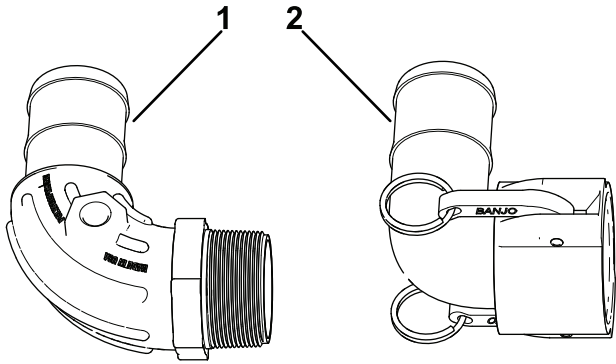
g516026

**Figure 7**

1. Pressure fitting

# Install the Kit to the Bottom of the Bulk Tank

1. At the bottom of the outlet bulk tank, install the elbow fitting that fits on your tank.

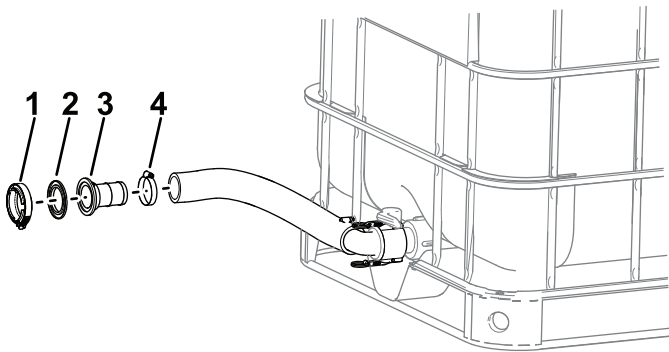


**Figure 8**

g514537

1. Option 1
2. Option 2

2. Secure the hose to the elbow fitting with a hose clamp.
3. At the other end of the hose, install screw clamp, flange gasket, straight fitting, and hose clamp.

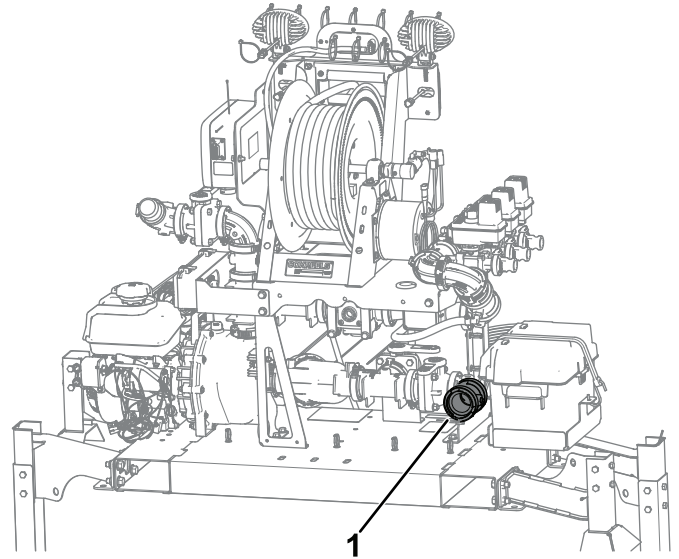


**Figure 9**

g514552

1. Screw clamp
2. Flange gasket
3. Straight fitting
4. Hose clamp

4. Using a screw clamp and gasket, connect the straight fitting to the suction side fitting of the Automated Power Bundle.



**Figure 10**

g516027

1. Suction fitting

5. Clean the tank of any debris before using it.