

Installation Instructions

Safety

Installing this kit will change the weight of your plow. Ensure that your vehicle does not exceed the gross-vehicle-weight rating (GVWR) at any time. You may need to weigh the vehicle and add ballast or limit the payload of the vehicle to compensate.

1. Park the machine on a level surface, and raise the plow a few centimeters (inches) off the ground.
2. Place a jack stand under the plow pushframe, shut off the vehicle engine, engage the parking brake, and remove the key.
3. Remove the 2 outermost bolts, 2 washers, and 2 nuts securing the blade to the plow and discard them.
4. Use the table below to determine which holes in the curb guard to mount the guard through.

Plow	Blade	Holes to Use
Straight-blade plow blades	122 cm (4 ft)	A and C
	152 cm (5 ft)	A and D
	183 cm (6 ft)	B and E

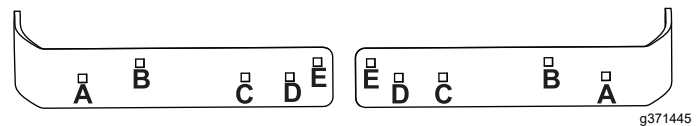


Figure 1

5. Mount the curb guard to the blade using 2 bolts, 2 washers, and 2 locknuts.

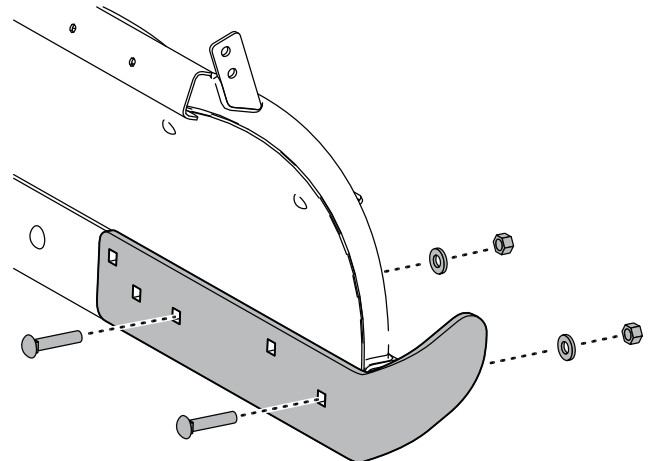


Figure 2

BOSS
S N O W P L O W