



## Turf Defender Kit

for Straight Blade Plows, HTX V-Blade Plows, XT V-Blade Plows, DXT V-Blade Plows, and ATV/UTV Straight/V-Blade Plows

Part No. BAX27685

Part No. BAX27686

Part No. BAX27704

Part No. BAX27705

Part No. BAX27706

Part No. BAX27707

Part No. BAX27708

Part No. BAX27709

Part No. BAX27710

Part No. BAX27711

Part No. BAX27712

Part No. BAX27713

Part No. STB27682

Part No. STB27683

Part No. STB27684

Part No. STB27700

Part No. STB27701

Part No. STB27702

Part No. STB27703

## Installation Instructions

BOSS Products limited consumer warranty and BOSS Products commercial warranty policies are located at [www.BOSSPlow.com](http://www.BOSSPlow.com).

Patent [www.ttcopats.com](http://www.ttcopats.com).

## Safety

Installing this kit changes the weight of your plow. Ensure that your vehicle does not exceed the gross-vehicle-weight rating (GVWR) at any time. You may need to weigh the vehicle and add ballast or limit the payload of the vehicle to compensate.



# Installation

## Straight Blade Plow Models Only

1. Park the machine on a level surface and raise the plow a few inches off the ground.
2. Place a jack stand under the plow pushframe, shut off the vehicle engine, engage the parking brake, remove the key, and chock the tires.
3. Remove the 4 carriage bolts (1/2 inch), 4 washers (1/2 inch), and 4 nuts (1/2 inch) that secure the cutting edge to the plow assembly (Figure 1). Discard the fasteners.

**Note: For ATV/UTV Plows,** retain the fasteners in this step.

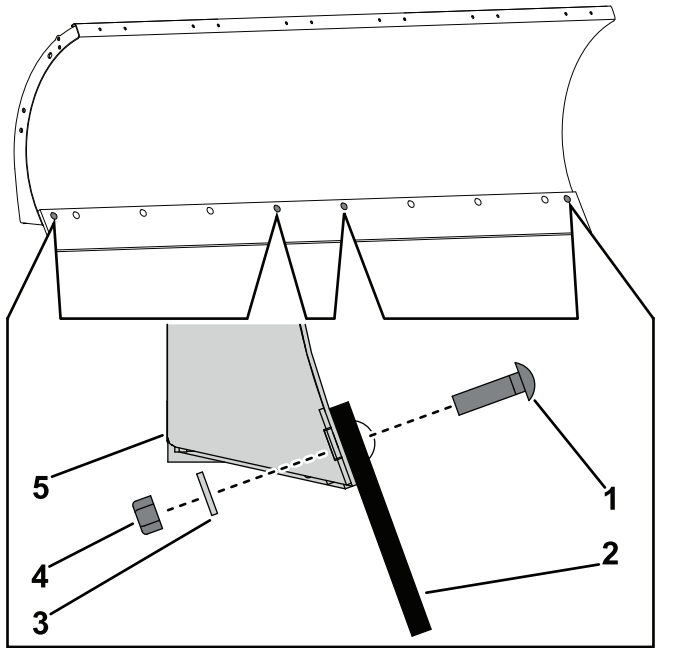
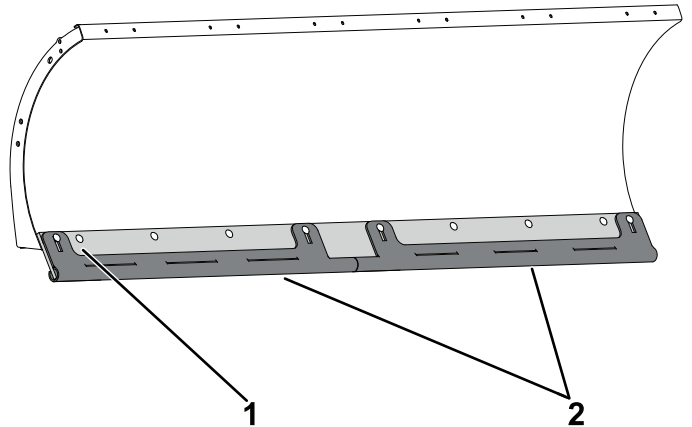


Figure 1

g434825

- |                             |                   |
|-----------------------------|-------------------|
| 1. Carriage bolt (1/2 inch) | 4. Nut (1/2 inch) |
| 2. Cutting edge             | 5. Plow assembly  |
| 3. Washer (1/2 inch)        |                   |

4. Use the 4 new or retained carriage bolts (1/2 inch), washers (1/2 inch), and nuts (1/2 inch) to secure the 2 turf defenders to the cutting edge.



g434826

Figure 2

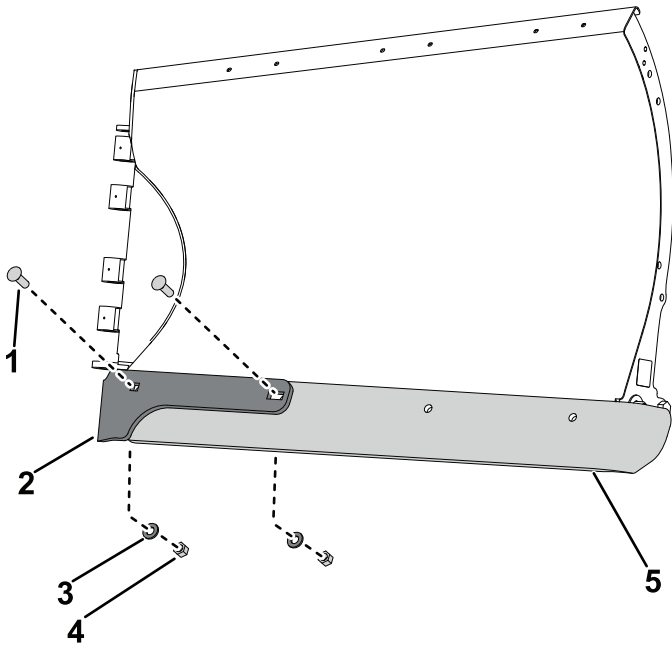
- |                 |                  |
|-----------------|------------------|
| 1. Cutting edge | 2. Turf defender |
|-----------------|------------------|

## DXT V-Blade Plow Models Only

**Note:** If installing the turf defenders on a plow with replaced cutting edges (cutting edges that include the integrated snow catchers), the turf defenders can be secured over the top of the cutting edges.

1. Park the machine on a level surface and raise the plow a few inches off the ground.
2. Retract the blades to make a "V" shape; refer to the product's *Owner's Manual*.
3. Place a jack stand under the plow pushframe, shut off the vehicle engine, engage the parking brake, remove the key, and chock the tires.
4. On each side of the plow, remove and discard the 2 carriage bolts (5/8 inch), 2 washers (5/8 inch), and 2 nuts (5/8 inch) that secure the snow catcher to the cutting edge. Remove the snow catcher from the cutting edge.

**Note:** For 305 cm (10 ft) DXT plows only, the fastener size is 3/4 inch.

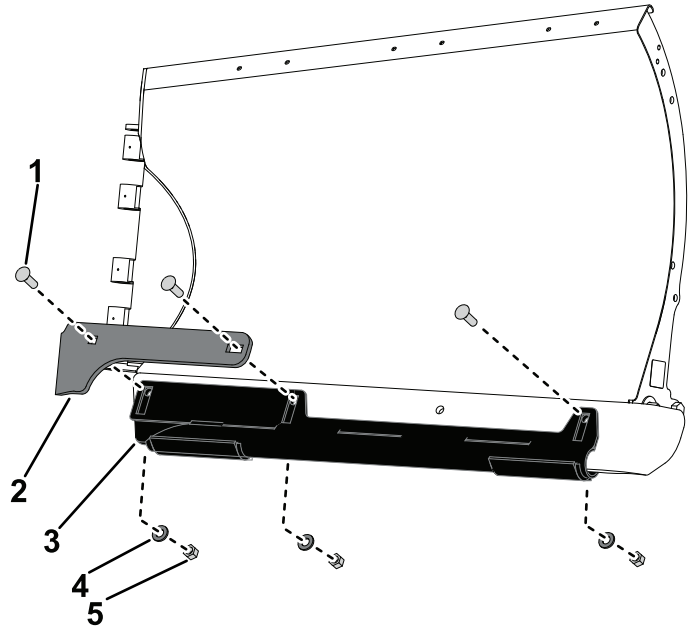


**Figure 3**

1. Carriage bolt (5/8 inch)
2. Snow catcher
3. Washer (5/8 inch)
4. Nut (5/8 inch)
5. Cutting edge

5. On each side of the plow, install the turf defender and then the snow catcher to the cutting edge and secure with the 3 new carriage bolts (5/8 inch), washers (5/8 inch), and nuts (5/8 inch).

**Note:** For 305 cm (10 ft) DXT plows only, the fastener size is 3/4 inch.



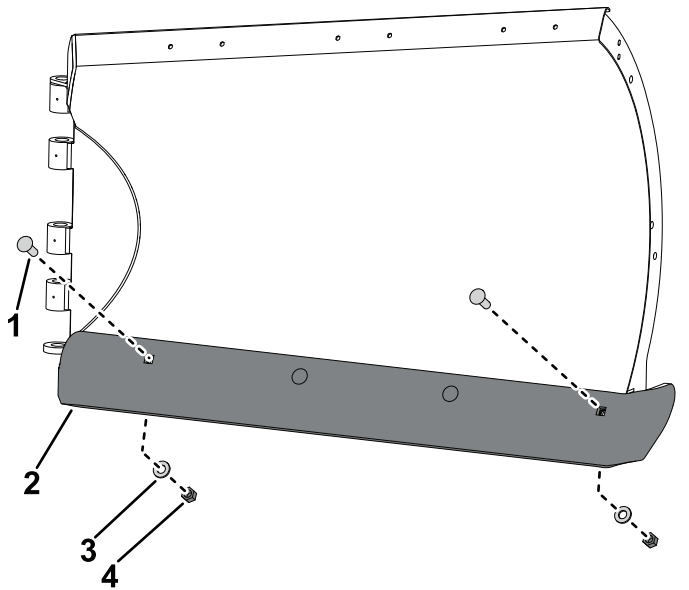
**Figure 4**

1. Carriage bolt (5/8 inch)
2. Snow catcher
3. Turf defender
4. Washer (5/8 inch)
5. Nut (5/8 inch)

## HTX, XT, and ATV/UTV V-Blade Models Only

1. Park the machine on a level surface and raise the plow a few inches off the ground.
2. Retract the blades to make a "V" shape; refer to the product's *Owner's Manual*.
3. Place a jack stand under the plow pushframe, shut off the vehicle engine, engage the parking brake, remove the key, and chock the tires.
4. On each side of the plow, remove the 2 carriage bolts (5/8 inch), 2 washers (5/8 inch), and 2 nuts (5/8 inch) that secure the cutting edge to the plow. Discard the fasteners.

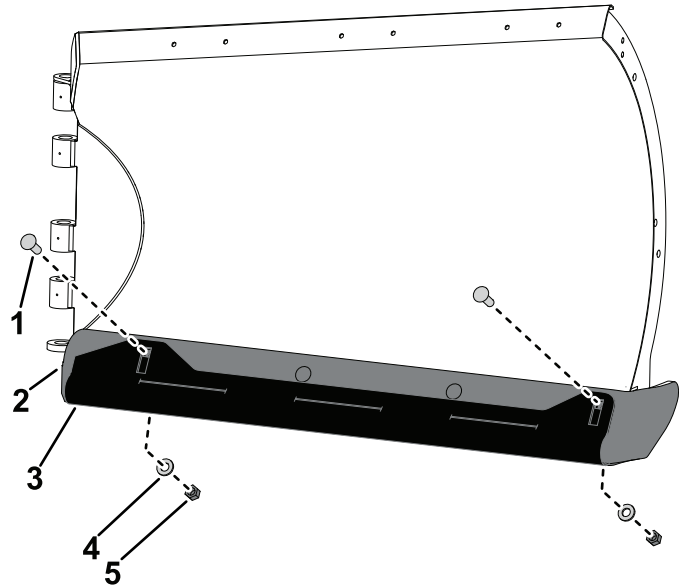
**Note:** For ATV/UTV plows, retain the fasteners in this step.



**Figure 5**

1. Carriage bolts (5/8 inch)
2. Cutting edge
3. Washers (5/8 inch)
4. Nuts (5/8 inch)

5. On each side of the plow, use the 2 new or retained carriage bolts (5/8 inch), washers (5/8 inch), and nuts (5/8 inch) to secure the turf defender to the cutting edge.



**Figure 6**

1. Carriage bolts (5/8 inch)
2. Cutting edge
3. Turf defender
4. Washers (5/8 inch)
5. Nuts (5/8 inch)