

Installation Instructions

⚠ DANGER

Vehicle engines contain moving parts and can become extremely hot, capable of causing severe burns and serious bodily harm.

Shut off the engine and allow it sufficient time to cool down before installing this kit.

⚠ DANGER

Vehicle batteries can cause dangerous electrical shocks that could lead to severe burns or death.

Disconnect your battery before installing this kit.

Determine the left and right sides of the machine from the normal operating position.

Disconnect the wire harness plug from the back of the vehicle headlights.

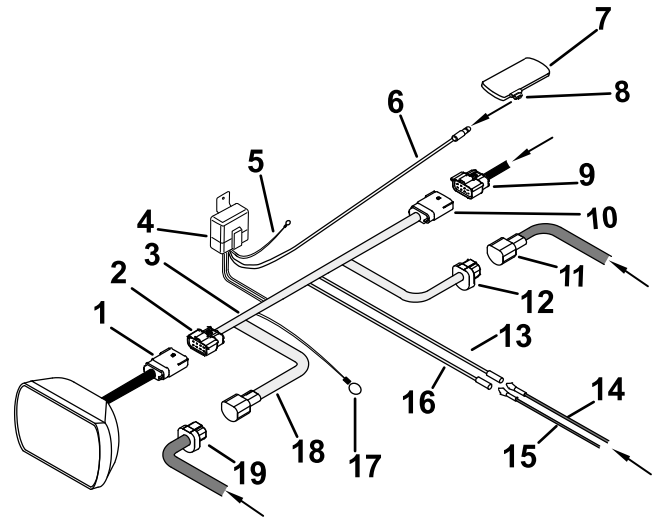


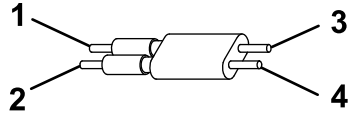
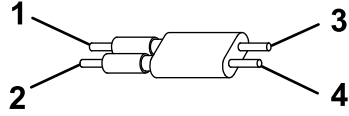
Figure 1

g461241

- | | |
|---|---|
| 1. Vehicle headlight plug | 11. Black plug (plow wire harness) |
| 2. 6-pin square headlight adapter plug (female) | 12. Blue rounded plug (headlight adapter harness) |
| 3. Headlight adapter harness | 13. Violet connector (headlight adapter harness) |
| 4. Relay | 14. Violet/Pink connector |
| 5. Fused eyelet | 15. Yellow connector (plow wire harness) |
| 6. Violet/Pink connector (male headlight adapter harness) | 16. Yellow connector (headlight adapter harness) |
| 7. Truck turn signal | 17. Brown fused eyelet |
| 8. Bullet-tap splice | 18. Black plug (headlight adapter harness) |
| 9. Vehicle headlight harness | 19. Blue plug (plow wire harness) |
| 10. 6-pin square headlight adapter plug (male) | |

Headlight	Connector	From harness	To connector	On the
both	6-pin square plug (female) (2)	headlight adapter (3)	vehicle headlight plug (1)	headlight
both	black rubber female (18)	headlight adapter (3)	blue plug (19)	plow wire harness
both	blue rounded plug (12)	headlight adapter (3)	black plug (11)	plow wire harness
both	6-pin square plug (male) (10)	headlight adapter (3)	headlight connector (9)	vehicle harness
both	fused eyelet (5)	headlight adapter (3)	battery power source	vehicle
both	relays (4)	headlight adapter (3)	mount upright	vehicle
left	yellow bullet plug female (16)	headlight adapter (3)	yellow bullet plug male (15)	left side plow wire harness
left	violet bullet plug female (13)	headlight adapter (3)	violet connector male (14)	left side plow wire harness
right	violet bullet plug female (13)	headlight adapter (3)	pink bullet plug male (14)	right side plow wire harness
right	yellow bullet plug female (16)	headlight adapter (3)	grease, tuck, and secure (connector not used)	
both	bullet-tap splice (8)	N/A	truck turn signal feed wire	vehicle
both	violet connector plug male (6)	headlight adapter (3)	bullet-tap splice (8)	vehicle
both	brown fused eyelet (17)	headlight adapter (3)	battery ground	vehicle

Locate the vehicle option connector and align it in the standard orientation as shown below:

Orientation	Wire Colors
Standard orientation	 <p>1. Red/yellow 2. White/yellow 3. Red/yellow 4. White/yellow</p>
Reverse orientation	 <p>1. White/yellow 2. Red/yellow 3. Red/yellow 4. White/yellow</p>