

BOSS Products limited consumer warranty and BOSS Products commercial warranty policies are located at [www.BOSSPlow.com](http://www.BOSSPlow.com).

Patent [www.ttcopats.com](http://www.ttcopats.com).

## Safety

- Always follow the vehicle manufacturer's recommendations relating to system installation. For recommended vehicle models, refer to the *BOSS Snowplow Application Chart and Selection Guide*.
- Never disable, remove, or relocate any sensors or other components related to the operation of the air bags.
- To comply with federal regulations and to assure a safe vehicle, do not exceed the front gross-axle-weight rating (FGAWR), rear gross-axle-weight rating (RGAWR), and the gross-vehicle-weight rating (GVWR) at any time.
- Due to the variety of equipment that you can install on the vehicle and undercarriage, do not exceed the front gross-axle-weight rating (FGAWR), rear gross-axle-weight rating (RGAWR), and the gross-vehicle-weight rating (GVWR) at any time. This may require weighing the vehicle and adding ballast as necessary. It may also limit the payload capacity of the vehicle.

## Installation

**Note:** It is recommended to install a Leveling Kit to achieve the proper pushbeam height.

Determine the left and right sides of the vehicle from the normal operating position.

1. Park the vehicle on a level surface, shut off the engine, wait for all moving parts to stop, engage the parking brake, and remove the key.
2. Remove the skid plate or splash shield, active air dam, and plastic frame plugs to allow access to the bolts.

**Note:** Installing this kit may require you to modify the bumper of your vehicle. Contact your Authorized Service Dealer before modifying the bumper.

3. At the bottom of the vehicle, remove and retain the 4 bolts securing the tow hooks to the vehicle.

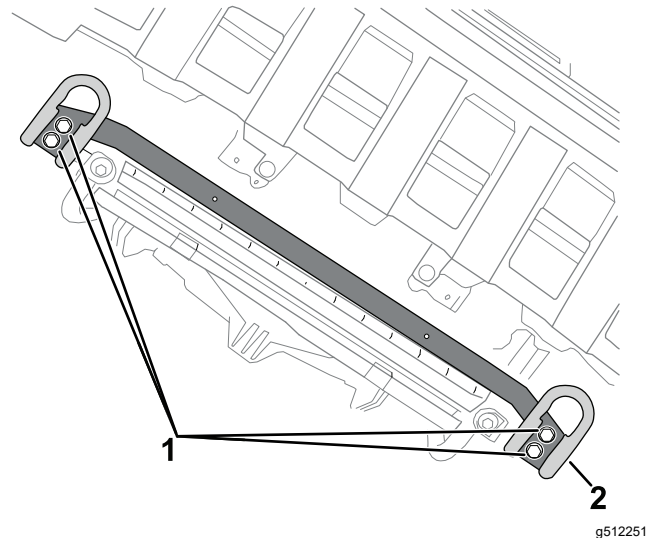


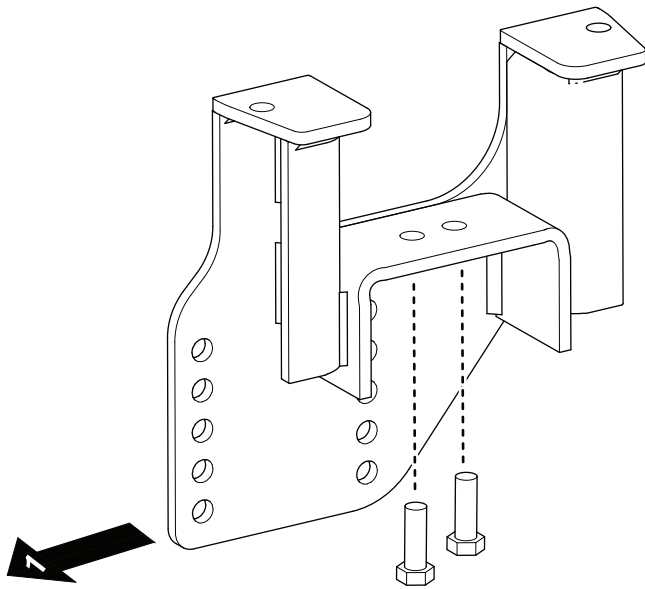
Figure 1

1. Bolt

2. Tow hook



- Loosely install each sideplate to the vehicle with the retained bolts.



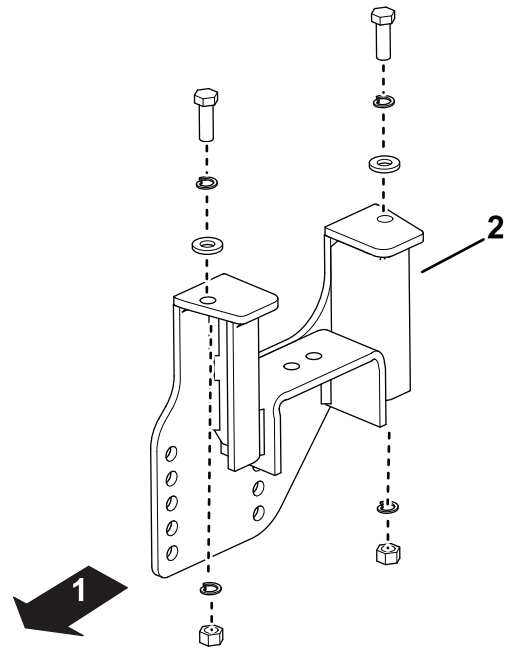
**Figure 2**  
Vehicle not shown

g512795

- Front of vehicle

- Loosely install the 2 bolts (1/2 x 1-1/2 inches), 4 split-lock washers, 2 washers, and 2 nuts to each sideplate.

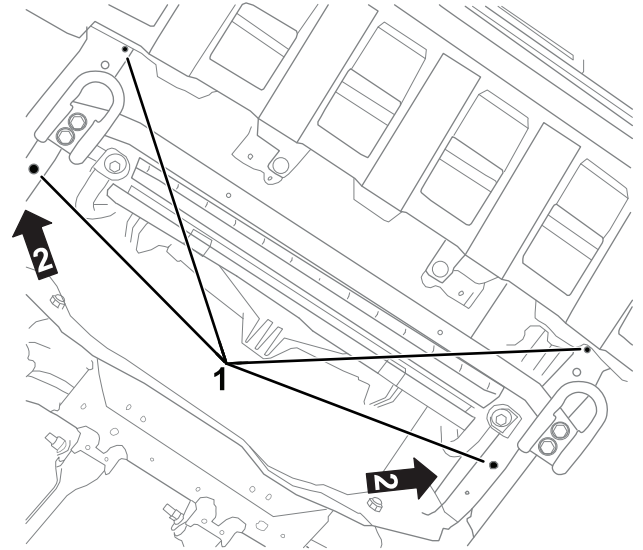
To place the bolts inside the vehicle frame, thread a bolt, split-lock washer, and washer onto the bolt puller and pull the end of the bolt puller through the plugged holes. Remove the bolt from the puller and secure it with a split-lock washer and nut. Repeat on the remaining bolts.



**Figure 3**  
Vehicle not shown

g512794

- Front of vehicle
- Left sideplate

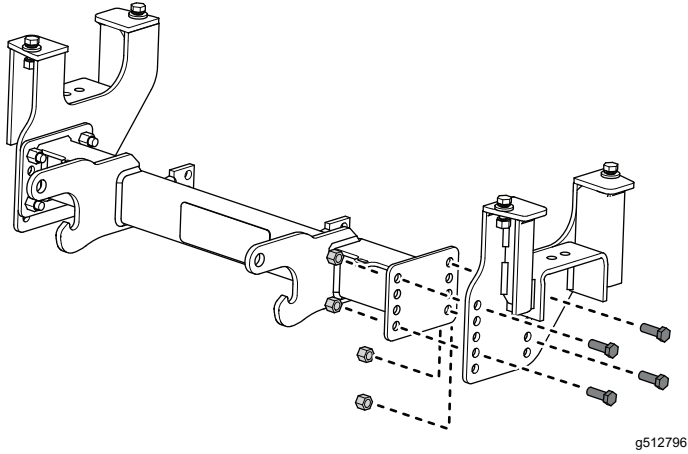


**Figure 4**

g512751

- Mounting holes
- Approximate plugged hole location

- Loosely secure the pushbeam assembly to the sideplates using 8 bolts (1/2 x 1-1/2 inches) and 8 locknuts. Refer to the Recommended Pushbeam Height table below.



g512796

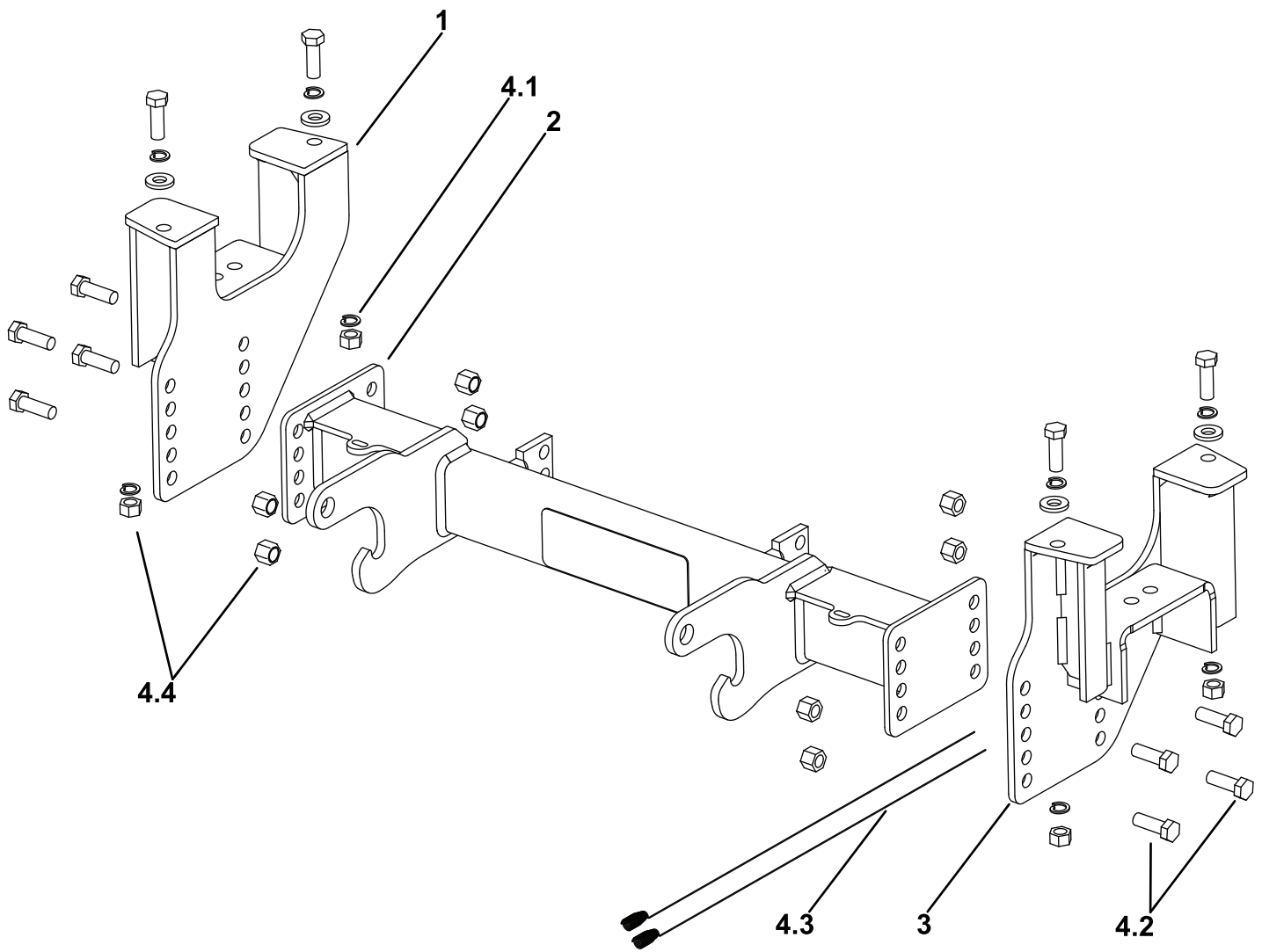
**Figure 5**  
Vehicle not shown

---

### Recommended Pushbeam Height

Plow Type	Recommended Pushbeam Height
Rear Mounted Plow	48 cm (19 inches)
UTV	44-1/2 cm (17-1/2 inches)
Heavy Duty	15 cm (16-1/2 inches)
Standard Duty	39 cm (15-1/2 inches)
HTX/Sport Duty	37 cm (14-1/2 inches)

- Torque the retained tow-hook bolts to 108.5 N·m (80 ft-lb).
- Torque the 1/2 inch bolts 76 N·m (56 ft-lb).



g510818

**Figure 6**  
Parts

Ref.	Part Number	Qty.	Description
1	PBA28751-03	1	PBSP ASM, PS, '24+ TACOMA [BLACK
2	PBA09827-03	1	PUSHBEAM ASM RT3 SPT/DGE, 1/2T, 06-12[BL
3	PBA28752-03	1	PBSP ASM, DS, '24+ TACOMA [BLACK
4	MSC09670	2	BOLT PULLER, 1/2-13
5	HDW28770	1	HARDWARE KIT UC '24+ TACOMA

Ref.	Part Number	Qty.	Description
5.1	HDW01732	8	WASHER, 1/2, SPLIT LOCK, YZN
5.2	HDW01729	4	WASHER, 1/2, F436 HARD, F/W, YZN
5.3	HDW01728	12	HHCS, 1/2-13X1-1/2, NC, GR5, YZ
5.4	HDW01748	8	NUT, 1/2-13, NYL INS, YZN