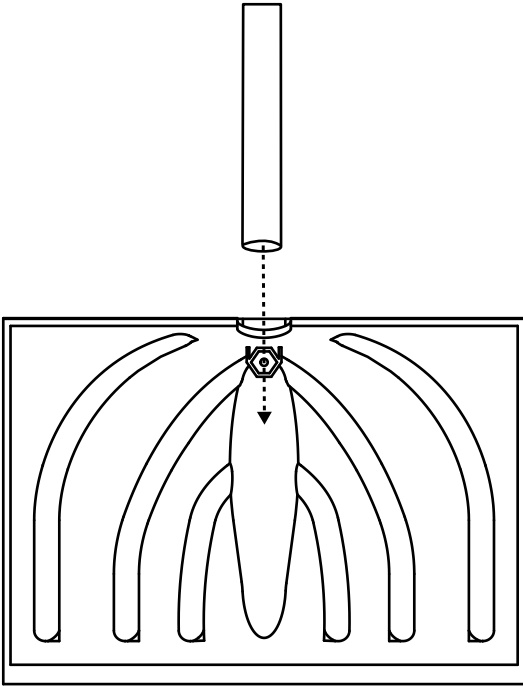
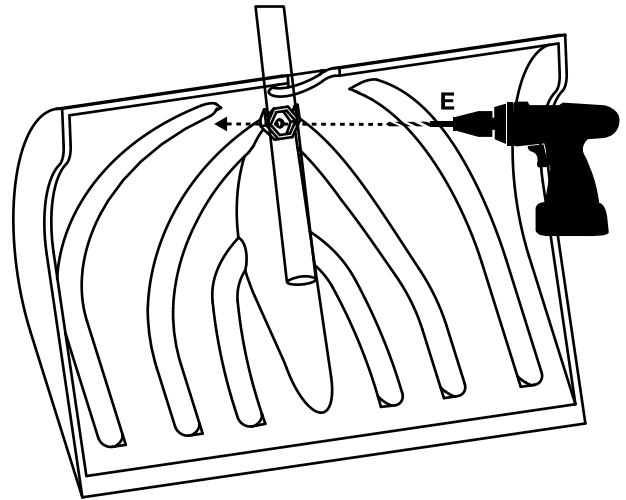


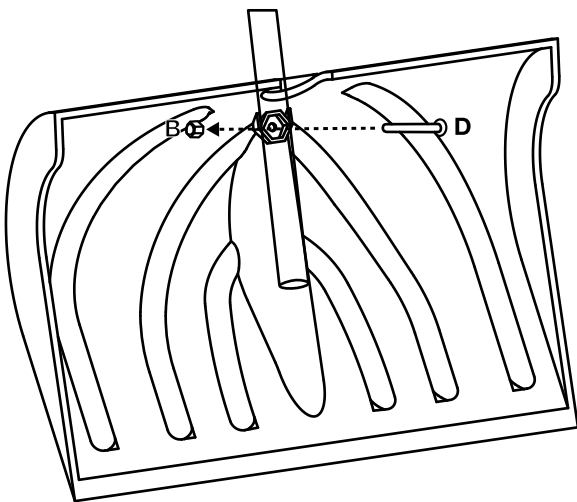
1. Attach Scoop blade to handle Assembly.



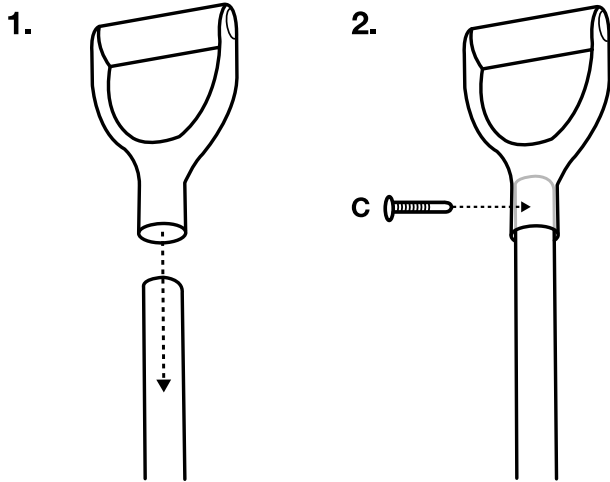
2. Drill a 1/4" hole in middle dimple with provided 1/4" Drill Bit (E).



3. Insert Hex Bolt (1/4"x2") (D) in drilled hole and fasten with locknut (B).



4. D-Grip should be parallel with blade - align by placing shovel on floor, before inserting self tapping screw (3/4") (**C**) into the handle.



Final Assembly

### HARDWARE PACK INCLUDES

- A. Locknut x 1
- C. Screws 3/4" x 1
- D. Hex Bolt (1/4"x2" x 1
- E. 1/4" Drill Bit

