

### Installation Instructions

1. Disconnect the spreader wire harness from the vehicle wire harness.
2. Secure 2 extension sideplates together using 4 bolts, 1 spacer plate, and 4 nuts (Figure 1).

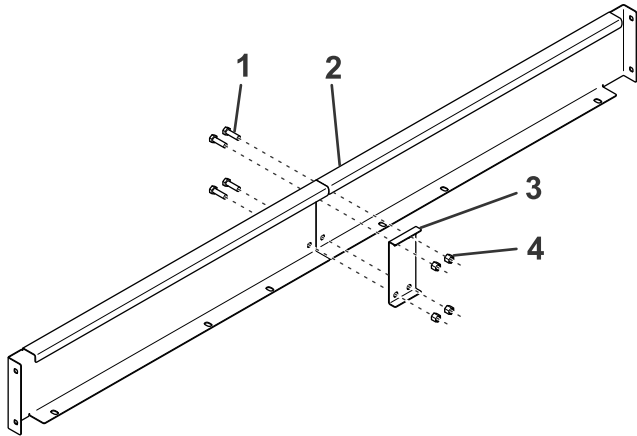


Figure 1

g293149

- |              |                 |
|--------------|-----------------|
| 1. Bolt      | 3. Spacer plate |
| 2. Sideplate | 4. Nut          |

3. Repeat with the second set of sideplates.
4. Secure an extension end to the 2 sideplates using 4 bolts and nuts (Figure 2).

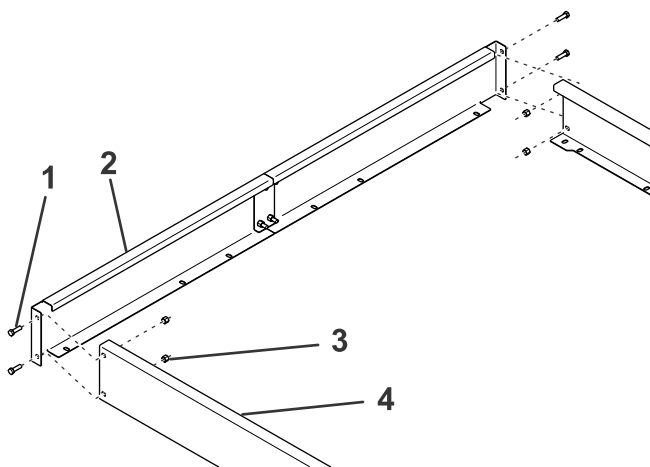


Figure 2

g293150

- |              |                  |
|--------------|------------------|
| 1. Bolt      | 3. Nut           |
| 2. Sideplate | 4. Extension end |

5. Repeat with the second extension end.

6. Remove and retain the fasteners securing the top screens to the spreader (Figure 3).

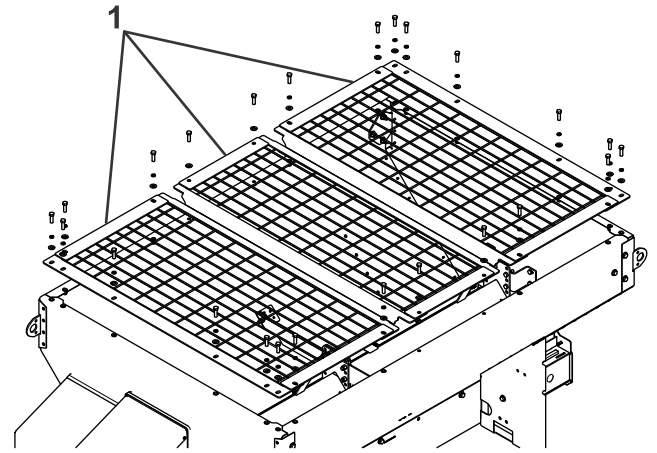


Figure 3

g293151

1. Top screens

7. Clamp the hopper extension into place.
8. Slide the center topscreen between the spacer plate and lower lip of the sideplate and secure it to the spreader using the previously removed fasteners (Figure 4).

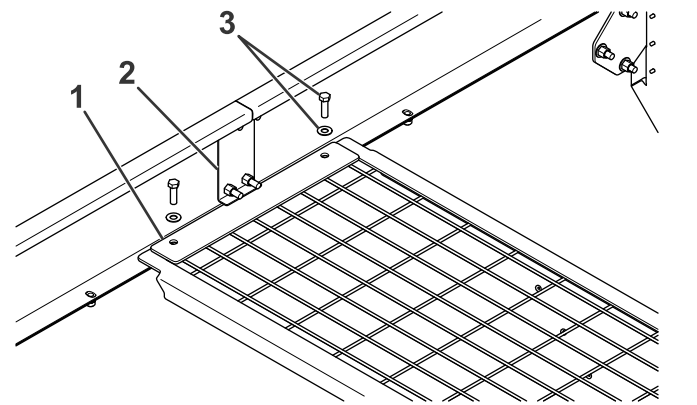


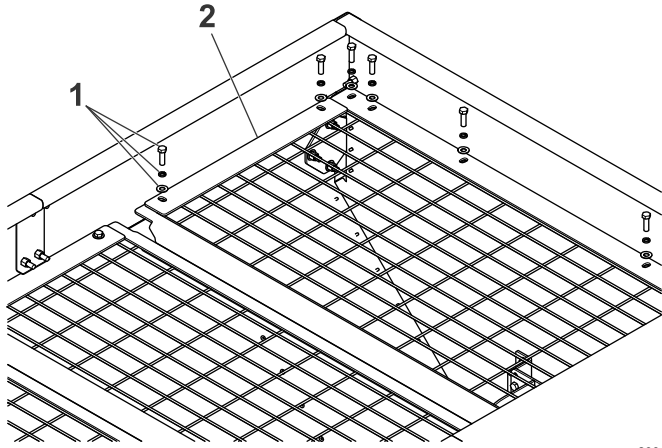
Figure 4

g293152

- |                     |                                 |
|---------------------|---------------------------------|
| 1. Center topscreen | 3. Previously removed fasteners |
| 2. Spacer plate     |                                 |



- Secure the outer topscreens to the spreader using the previously removed fasteners (Figure 5).



g293153

**Figure 5**

- Previously removed fasteners
- Outer topscreen

- 
- Connect the previously disconnected wire harness.