

Installation Instructions

1. Remove the end top screen section on the hopper.
2. Remove and discard the hardware on each of the hopper corner plates (Figure 1).

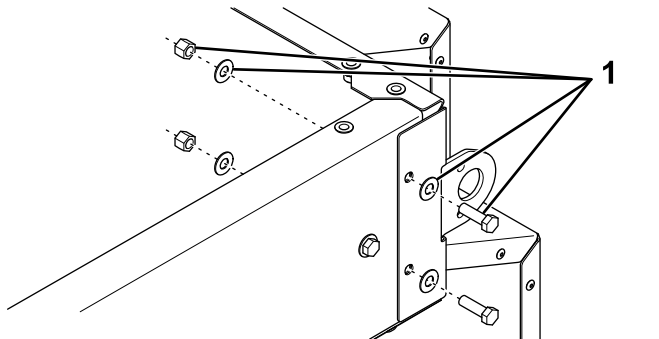


Figure 1

1. Remove and discard.

3. Secure a sideplate to each corner of the hopper using 2 bolts, washers, and locknuts (Figure 2).

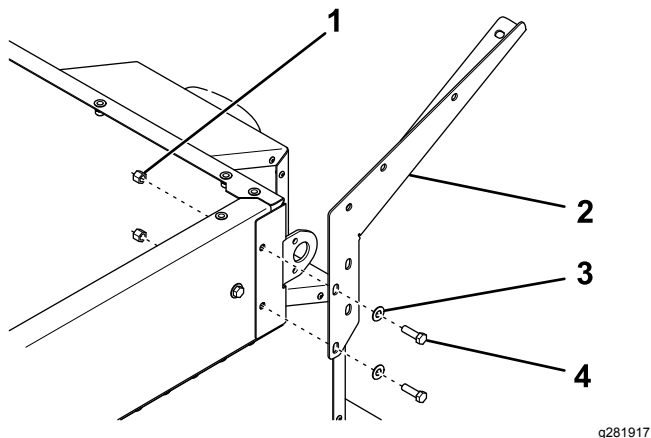


Figure 2

- | | |
|--------------|-----------|
| 1. Locknut | 3. Washer |
| 2. Sideplate | 4. Bolt |

4. Install the previously removed top screens but do not secure the front or back edge.
5. Secure the spill guard main plate to the hopper and top screen using the previously removed washers, split lockwashers, and bolts (Figure 3).

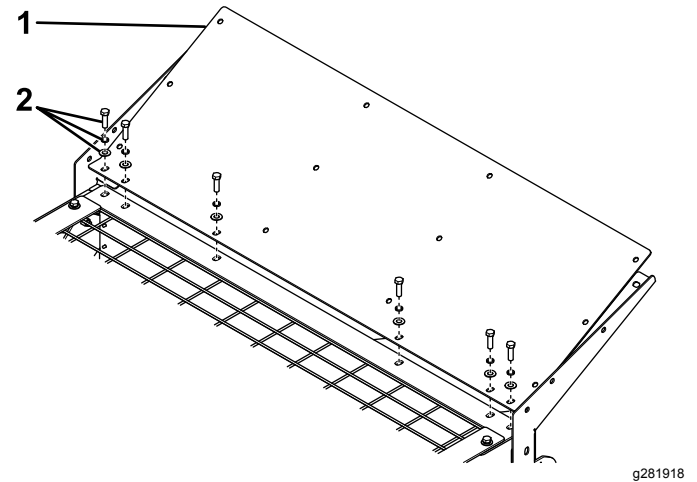


Figure 3

- | | |
|---------------|--------------------------------|
| 1. Main plate | 2. Previously removed hardware |
|---------------|--------------------------------|

6. Secure the edges of the main plate to the sideplates using 3 bolts, washers, and locknuts (Figure 4).

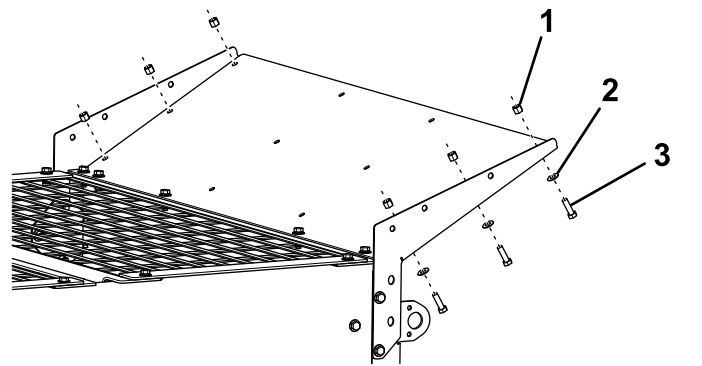
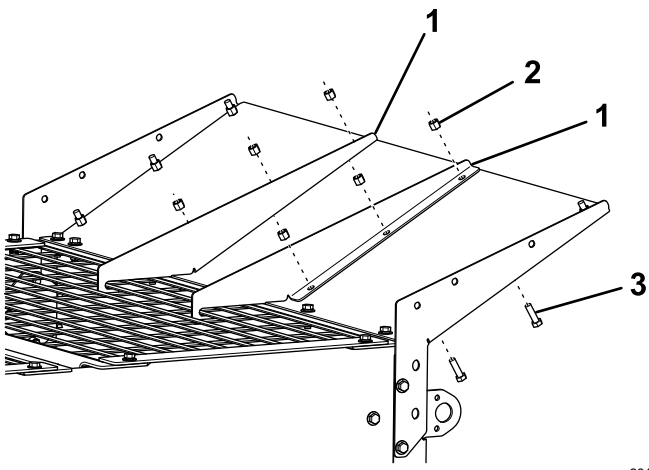


Figure 4

- | | |
|------------|---------|
| 1. Locknut | 3. Bolt |
| 2. Washer | |

7. Hook the hook plates onto the top screen and secure them to the main plate using 3 bolts and locknuts (Figure 5).



g281920

Figure 5

- 1. Hook plate
- 2. Locknut

- 3. Bolt

-
- 8. Torque the fasteners to 27 N·m (20 ft-lb).
 - 9. Repeat the installation on the other end of the hopper.