



A Division of The Toro Company

P.O.Box 787 Iron Mountain, MI 49801-0787

ISO 9001: 2008 REGISTERED

bossplow.com

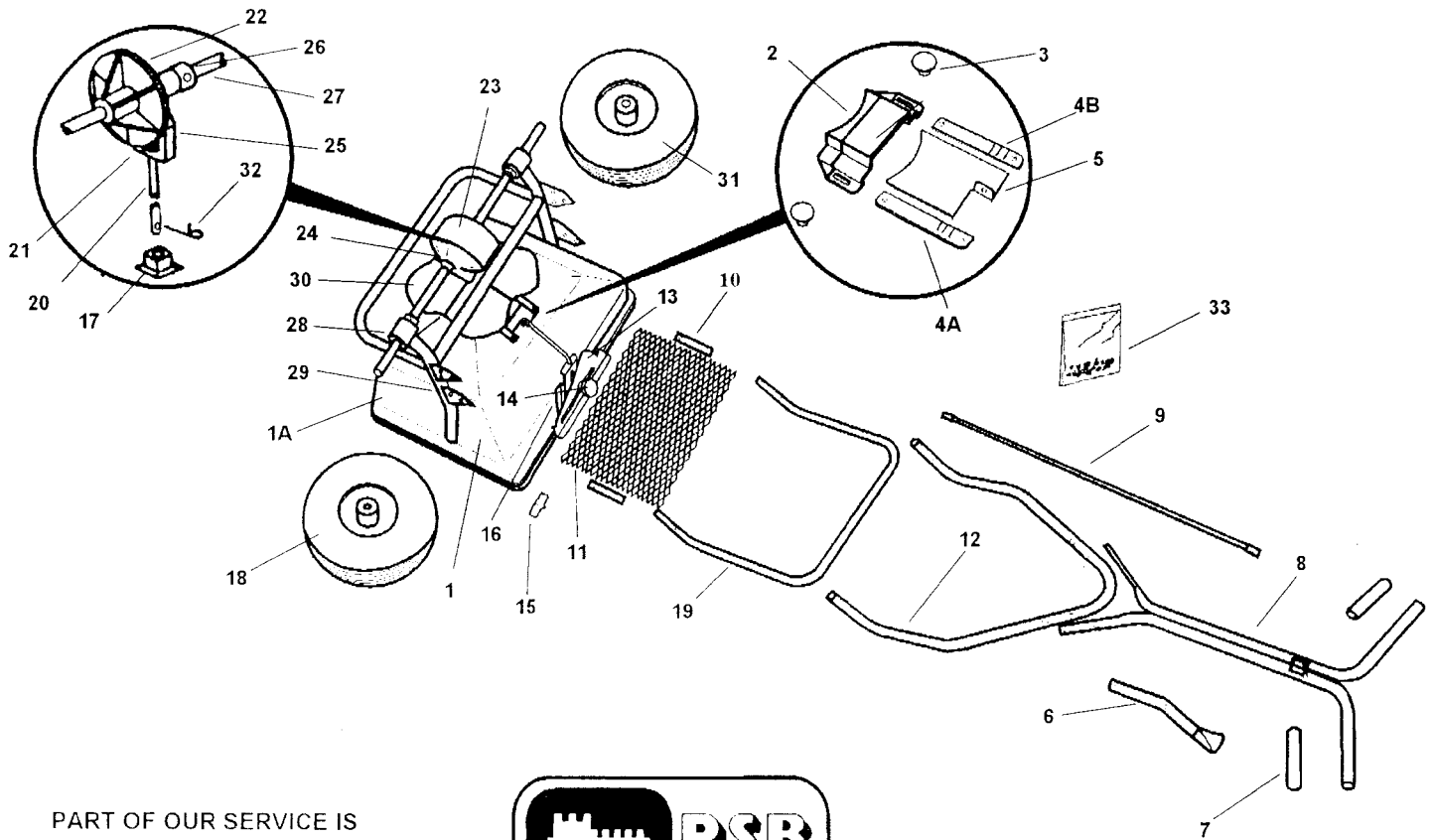
Date: 1/17/17

BOSS Products no longer offers replacement parts for the WBS15800B Broadcast Spreader (CBR III) or the WBS15900 Drop Spreader (CDC36C). Please contact your local BOSS Dealer to see if they have spare parts inventory.

If your local BOSS Dealers does not have spare parts in their inventory, contact the phone number listed. We have included a parts breakdown for each of these spreaders below.

**PSB Company
555 West Goodale Street
Columbus, OH 43216
614-228-5781 ext 2655**

Parts List For Model CBR III



PART OF OUR SERVICE IS PROVIDING REPLACEMENT PARTS. Parts may be obtained through your local distributor. Be sure to give:

1. SPREADER MODEL NUMBER
2. SPREADER NAME
3. PART NUMBER
4. NAME OF PART AS SHOWN



IF YOUR LOCAL DISTRIBUTOR CANNOT SUPPLY PARTS, CONTACT:

PSB Company

555 West Goodale Street P.O. Box 1089

Columbus, Ohio 43216-1089

614-228-5781 EXT. 655

Key No.	Description	Part No.	Key No.	Description	Part No.
1	Hopper Assembly	14610-2	17	Impeller Shaft Bearing*	14312-1
1A	Hopper*	14604	18	Drive Wheel	15032
2	Discharge Chute*	14623	19	Leg	15007-1
3	Discharge Chute Knob (2)*	14001	20	Impeller Shaft	15036
4A	Shutoff Plate Guide-RH.*	14622	21	Pinion Gear	14833
4B	Shutoff Plate Guide-LH.*	14621	22	Axle Gear	15027
5	Shutoff Plate*	13353	23	Gear Cover (2)	15012
6	Handle Lever Ass'y w/ Chain	14047	24	Gear Cover Clamps (3)	14868
7	Handle Grip (2)	14870	25	Gear Support	15028
8	Upper Handle	14825-1	26	Axle Collar w/ Set Screw	14063
9	Control Tube	14871	27	Axle	15037
10	Screen Clips (2)	14022	28	Axle Bearing (4)	14933
11	Hopper Screen	14603	29	Frame	15038
12	Handle Brace	15011-1	30	Impeller	14625
13	Rate Plate*	14932	31	Free Wheel	15033
14	Rate Control Knob*	12704	32	Agitator	14510
15	Pointer*	12708	33	Fastener Package	15035
16	Spring Housing Assembly*	12702-1			

*Parts included in hopper assembly

Parts List for Model CD36C

PART OF OUR SERVICE IS PROVIDING REPLACEMENT PARTS. Parts may be obtained through your local distributor. Be sure to give:

1. SPREADER MODEL NUMBER
2. SPREADER NAME
3. PART NUMBER
4. NAME OF PART AS SHOWN

IF YOUR LOCAL DISTRIBUTOR CANNOT SUPPLY PARTS, CONTACT:

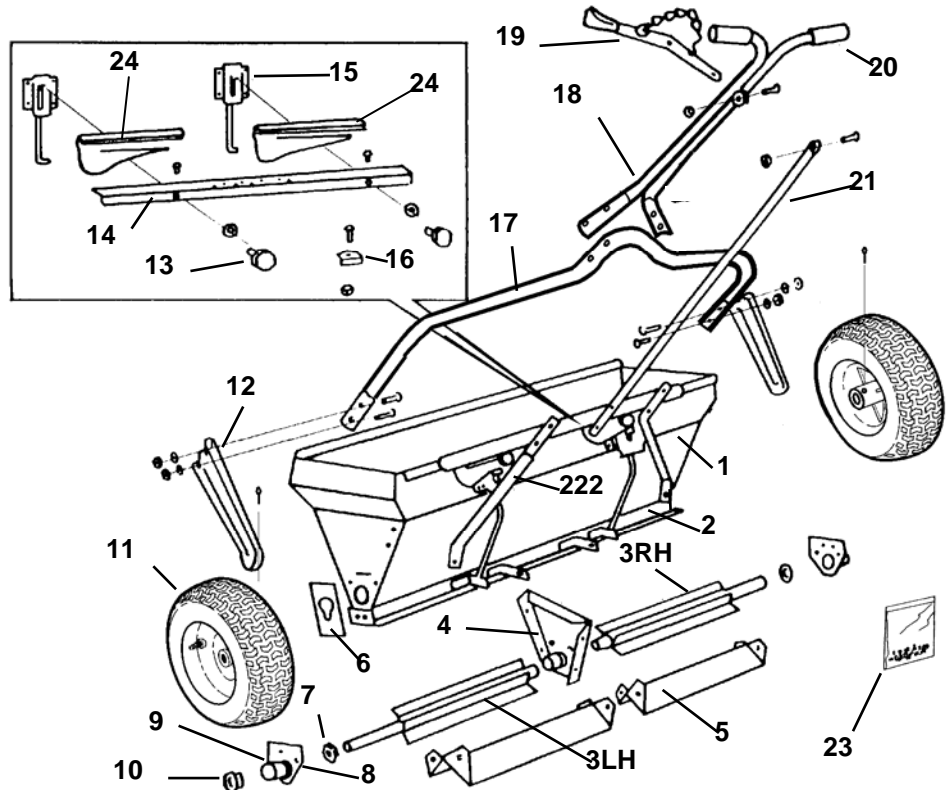


PSB Company

555 West Goodale Street P.O. Box 1089

Columbus, Ohio 43216-1089

614-228-5781 EXT. 2655



PARTS LIST

WARRANTY

PSB warrants to Purchaser the following:

1. Product will be free of defects in materials and workmanship for a period of one year from date of purchase.
2. PSB will decide in its reasonable discretion if the part(s)/unit is defective.
3. The spreader or part(s) will be shipped to PSB at the customer expense with a written description of defect to the attention of PSB WARRANTY DEPARTMENT.
4. If the spreader is used for commercial rental the Limited Warranty shall be limited to a period of 90 days.
6. All Unit and part replacement will be performed at the reasonable discretion of PSB.
7. Labor charges are not covered and the unit need not be returned to the dealer for warranty service.
8. Proof of purchase must be supplied to PSB.

PSB's sole obligation under this warranty is limited to repairing or replacing the defective part. Upon replacement of any Product or Product part, the replaced item shall become the property of PSB. If PSB determines that the Product covered by this warranty requires service, PSB shall prepay return shipping charges from PSB. In all other instances, such charges shall be paid by Purchaser. Except for loss or damage caused by PSB's negligence, Purchaser relieves PSB of responsibility for all risks of loss or damage to the Product and its parts during the period the products are in transit to and from PSB.

This warranty does not extend to any Product or parts thereof that have been allowed to corrode, subjected to misuse, neglect, accident, or modification by anyone other than PSB or that have been affixed to any nonstandard accessory attachment or that have been used, stored, installed, maintained or operated in violation of PSB's instructions or standard industry practice. No agent, employee or representative of PSB has any authority to bind PSB to any affirmation, representation or warranty concerning the Product and any affirmation, representation or warranty made by any agent, employee or representative shall not be enforceable by Purchaser.

THIS WARRANTY EXTENDS ONLY TO THE ORIGINAL PURCHASER AND IS EXPRESSLY IN LIEU OF ANY OTHER EXPRESS OR IMPLIED WARRANTIES, INCLUDING WITHOUT LIMITATION ANY IMPLIED WARRANTY OR MERCHANTABILITY OR FITNESS OR INTENDED USE FOR A PARTICULAR PURPOSE AND OF ANY OTHER OBLIGATION ON THE PART OF PSB.

PSB SHALL NOT BE LIABLE FOR ANY INCIDENTAL, SPECIAL OR CONSEQUENTIAL LOSS, DAMAGE OR EXPENSE DIRECTLY OR INDIRECTLY ARISING FROM THE USE OF ANY OF THE PRODUCT INCLUDING, BUT NOT LIMITED TO, DAMAGE OR LOSS OF OTHER PROPERTY OR EQUIPMENT, LOSS OF PROFITS OR REVENUE, COST OF CAPITAL, COST OF PURCHASED OR REPLACEMENT GOODS, OR CLAIMS OF CUSTOMERS OF PURCHASER.

ITEM	PART #	DESCRIPTION
1	14211-1	HOPPER ASSEMBLY
2	14414-2	SHUTOFF BAR ASSEMBLY*
3 RH.	14643-1	AGITATOR/AXLE ASSEMBLY-LH. *
3 LH.	14644-1	AGITATOR/AXLE ASSEMBLY-RH.*
4	14231	BEARING SUPPORT ASSEMBLY*
5	14235	AGITATOR BAFFLE* (2)
6	14227	END HANGER* (2)
7	14007	AXLE GREASE SEAL* (2)
8	14222-1	PLATE ASSEMBLY-BEARING END* (2)
9	90005	GREASE FITTING* (2)
10	14006	AXLE BEARING* (2)
11	15032	WHEEL & TIRE ASSEMBLY (2)
12	12714	LEG (2)
13	12704	RATE CONTROL KNOB* (2)
14	14237	TIE BAR*
15	14286	SPRING HOUSING ASSEMBLY* (2)
16	12708	POINTER*
17	15029-1	HANDLE BRACE
18	15046	UPPER HANDLE ASSEMBLY
19	14047	HANDLE LEVER ASSEMBLY W/ CHAIN
20	14870	HANDLE GRIP (2)
21	14415-1	CONTROL TUBE
22	14409	CONTROL TUBE BRACE (2)
23	15066	FASTENER PACKAGE
24	14236	RATE PLATE* (2)
—	15063	PARTS PACKAGE (NOT SHOWN)

*Parts included in hopper assembly © 2004 PSB COMPANY