


This spreader is designed to dispense ice-control materials on residential or commercial properties. Using this product for purposes other than its intended use could prove dangerous to you and bystanders.

Read this information carefully to learn how to operate and maintain your product properly and to avoid injury and product damage. You are responsible for operating the product properly and safely.

Visit www.bossplow.com for product safety and operation training materials, accessory information, help finding a dealer, or to register your product.

Whenever you need service, genuine BOSS parts, or additional information, contact an Authorized BOSS Dealer or BOSS Technical Service (1-800-286-4155).

Safety

Improperly using and maintaining the equipment can result in injury. To reduce the potential for injury, comply with these safety instructions and always pay attention to the safety-alert symbol , which means *Caution, Warning, or Danger*—personal safety instruction. Failure to comply with the instruction may result in personal injury or death.

Preparation

- Ensure that only trained personnel install and perform maintenance on the equipment.
- Always wear appropriate personal protective equipment when loading, unloading, and servicing the spreader. Wear substantial, slip-resistant footwear, eye protection, and respiratory protection.
- Carefully read and follow the chemical warning labels and safety data sheets (SDSs) for all chemicals used, and protect yourself according to the chemical manufacturer's recommendations.

Operation

- Read the *Owner's Manual* before operating or servicing the spreader.
- Overloading the spreader could result in an accident or damage. Never exceed the capacity of the spreader.
- This spreader is restricted to the use of specified materials only. Do not run other materials through the spreader.
- Stop the spreader before filling, servicing, or cleaning it.
- Keep bystanders and pets away from the machine during operation.
- Do not climb into or ride on the spreader.
- Keep your hands, feet, and clothing away from moving parts and mounting points.
- When transporting the spreader, ensure that it is properly secured. Instructions are available at www.bossplow.com.
- Do not store material in the hopper.



Setup

1. Install the drive wheel onto the axle and align the spring clip holes.
2. Install the spring clip through the wheel and axle.
3. Fold the spring clip to ensure that it will not fall out.
4. Install the coast wheel onto the axle so that the hole in the axle is outside the rim of the tire.
5. Install the lynch pin through the axle.
6. Fold the lynch pin to ensure that it will not fall out.

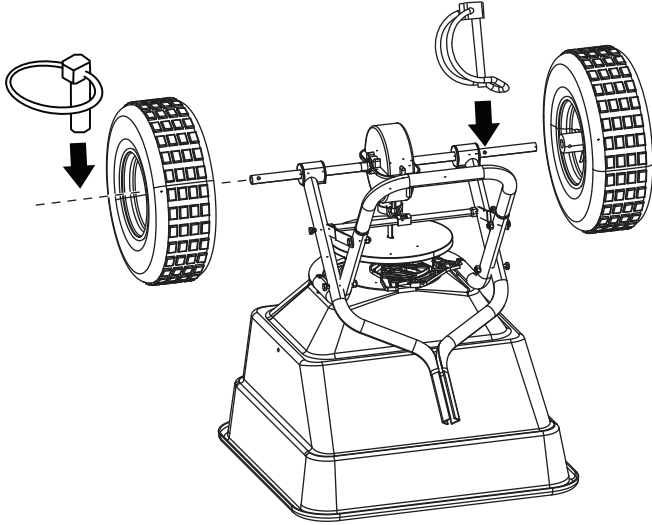


Figure 1

g397097

11. Loosely install the nut removed in Step 10.

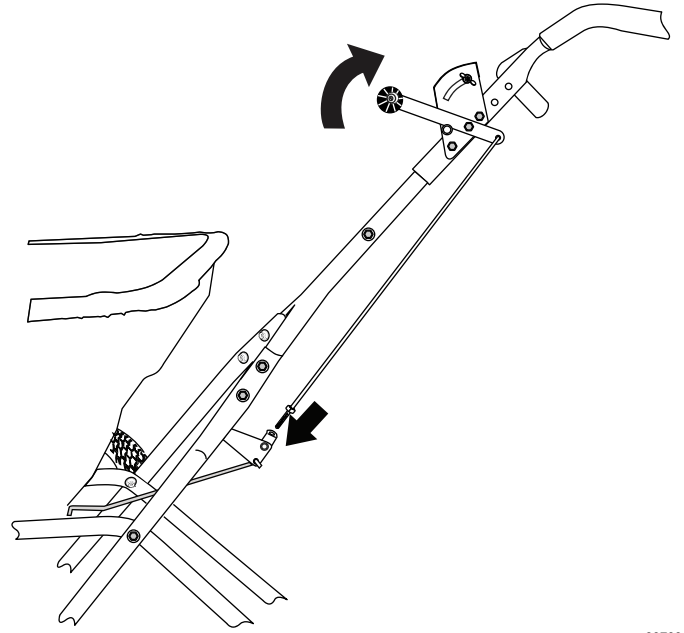


Figure 3

g397094

12. Calibrate the spreader.

7. Remove the bolts securing the pivot bracket to the lower handles.
8. Put the handle shaft in between the lower handles and secure with the hardware removed in Step 7.

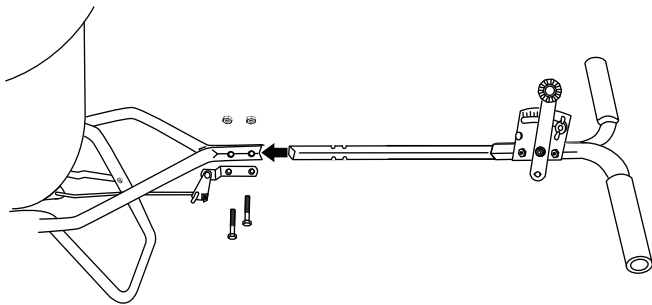


Figure 2

g397095

9. Pull the lever back to bring the control rod down to the pivot bracket.
10. Remove the lower nut installed on the control rod and insert the rod into the pivot bracket.

Calibrating the Spreader

1. Pull the control lever to the closed position.
2. Ensure that the shut off plate is closed all the way.
3. Tighten the nut on the control rod:
 - 80lb spreader—lower
 - 100lb spreader—upper

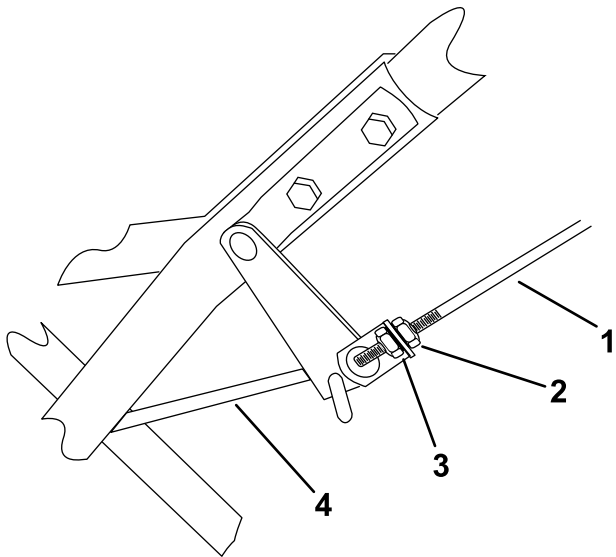


Figure 4

g397098

- | | |
|----------------|--------------|
| 1. Control rod | 3. Lower nut |
| 2. Upper nut | 4. Pivot rod |

4. Push the control lever to the open position.
5. Look in the hopper to ensure that the shut off plate is open all the way.
6. Tighten the nut on the control rod:
 - 80lb spreader—upper
 - 100lb spreader—lower

Installing the Deflector

1. Place the clips on the deflector frame.

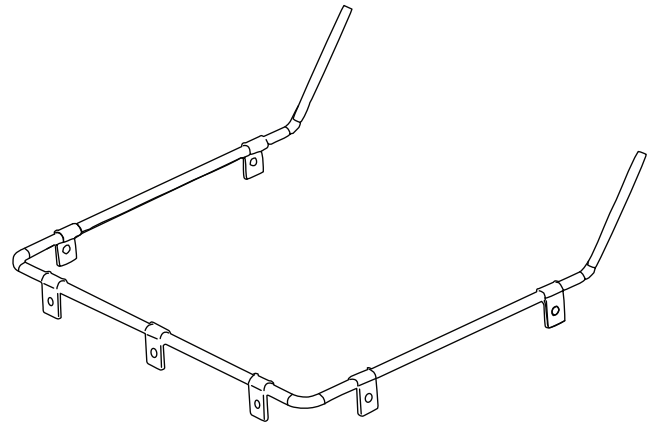


Figure 5

g397410

2. Secure the deflector pieces to the frame.

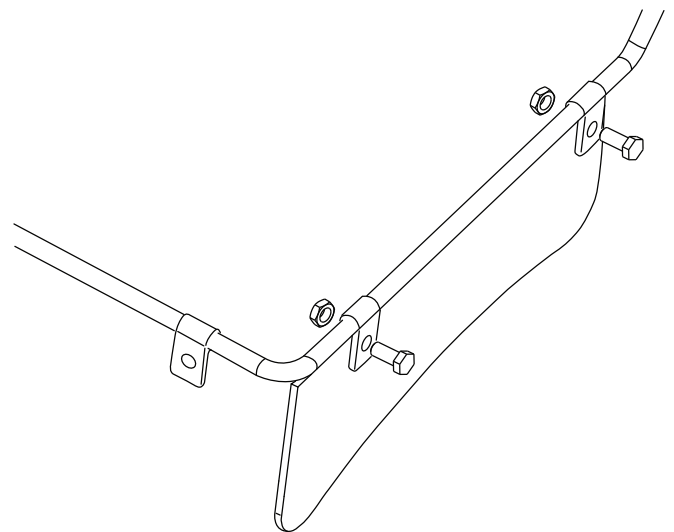
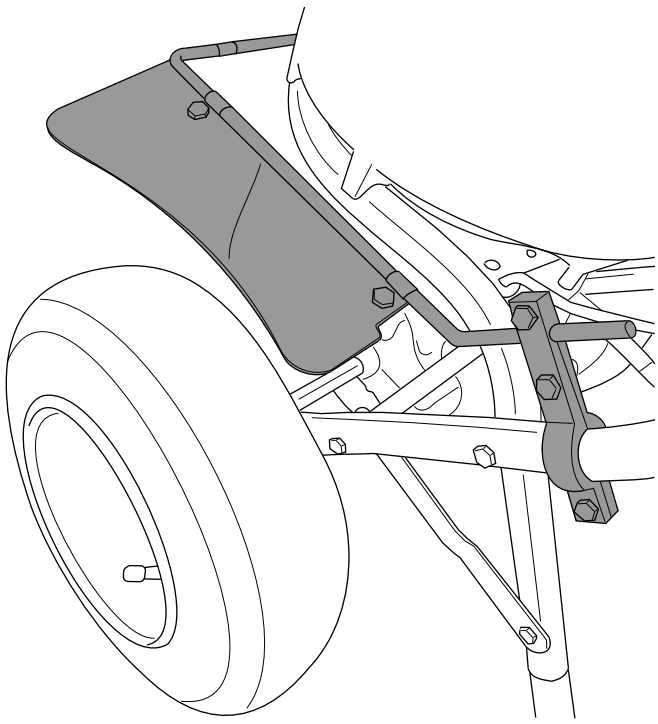


Figure 6

g397409

3. Secure the assembly to the spreader.



g397374

Figure 7

Operation

Changing the Handle Height

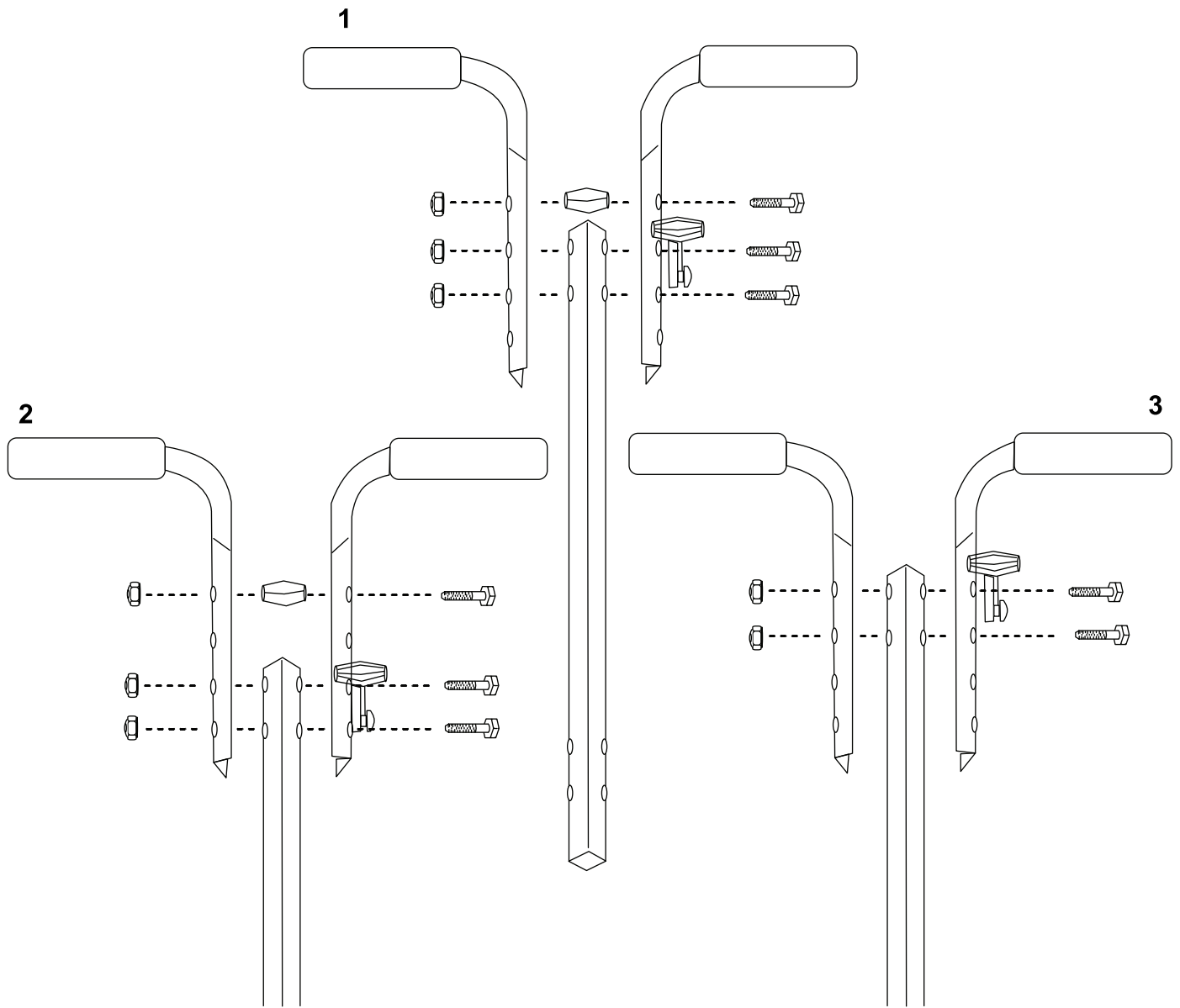


Figure 8

g397093

1. Standard position

2. Tall position

3. Short position

Notes:

BOSS
S N O W P L O W