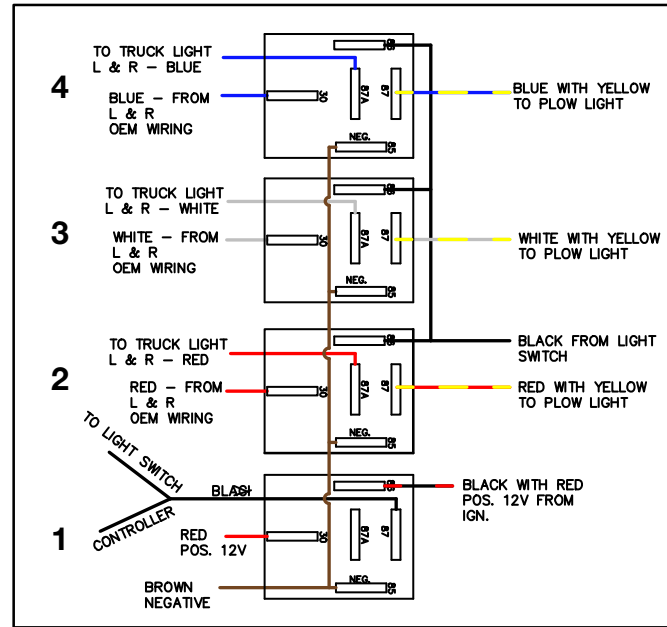
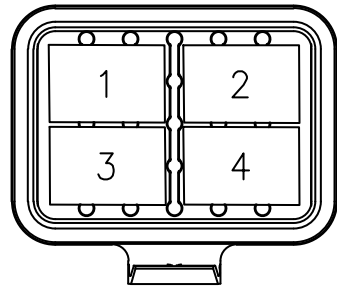
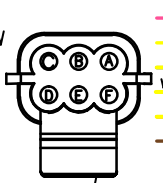


RELAY ORIENTATION IN HOLDER VIEW FROM TOP



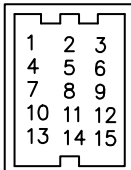
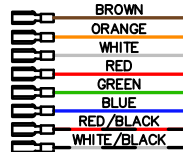
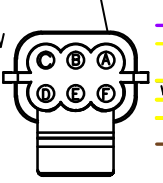
RIGHT PLOW LIGHT
 A-BLUE/YELLOW
 B-WHITE/YELLOW
 C-YELLOW
 D-PINK
 E-BROWN
 F-RED/YELLOW



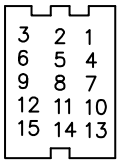
WIRE INSERTION VIEW

CONNECTOR: DELPHI 12052848
 TPA: 12052850
 PINS: 12048074
 SEALS: 15324973
 BOOTS: MSC19051

LEFT PLOW LIGHT
 A-BLUE/YELLOW
 B-WHITE/YELLOW
 C-YELLOW
 D-VIOLET
 E-BROWN
 F-RED/YELLOW

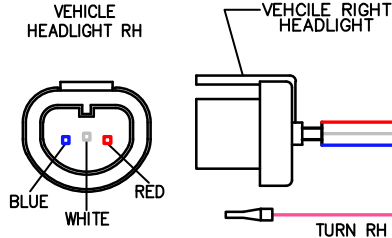
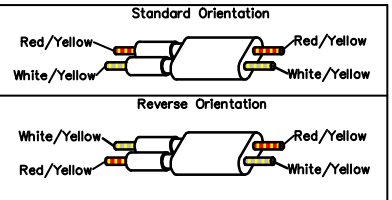


PLOW SIDE SNOWFLOW CONTROL / HEADLIGHT CONNECTOR (AT BUMPER)

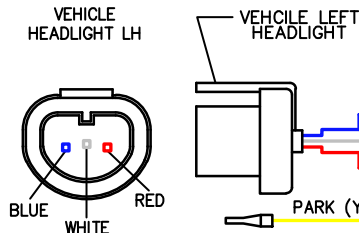


TRUCK SIDE SNOWFLOW CONTROL / HEADLIGHT CONNECTOR (AT BUMPER)

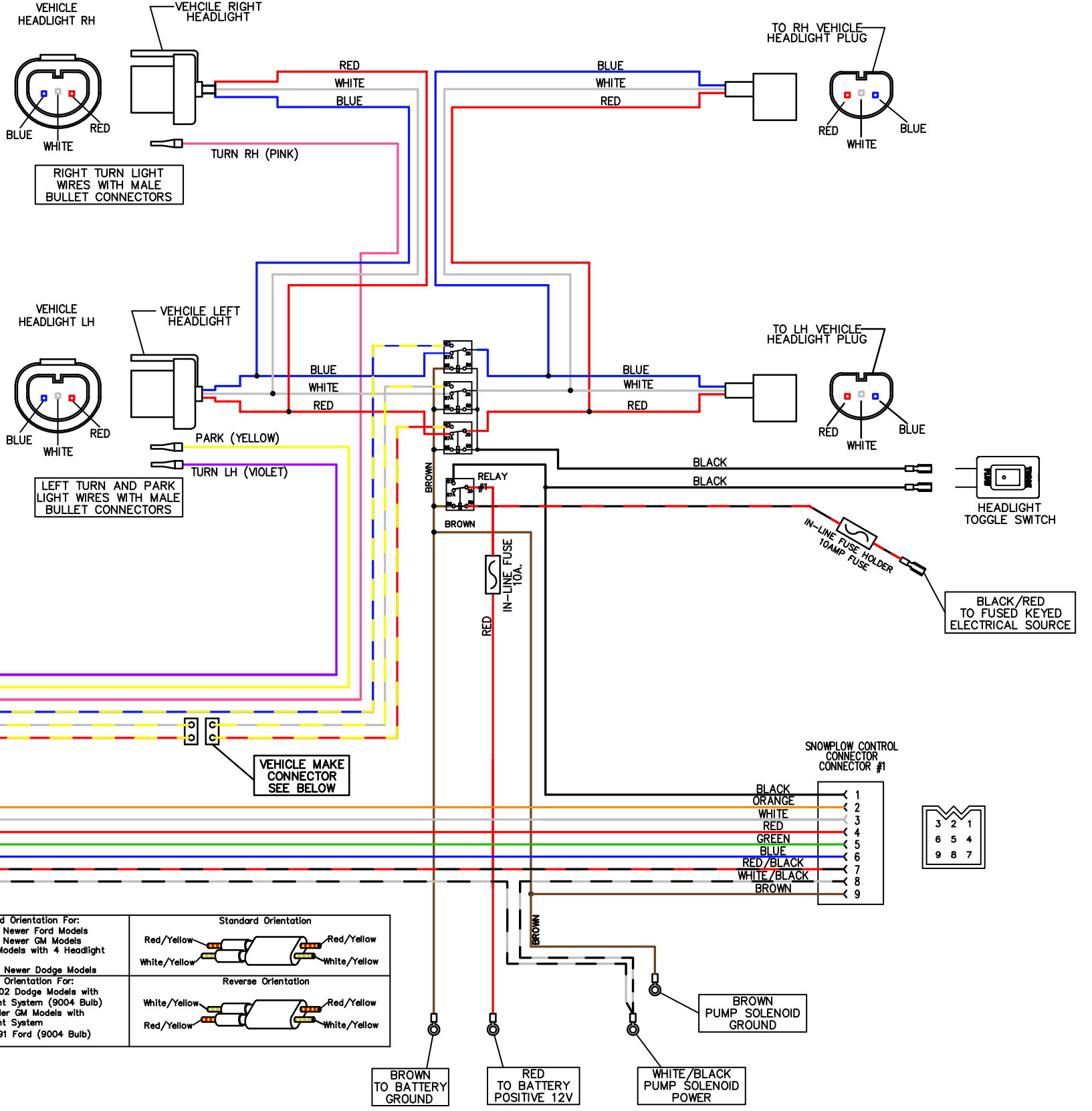
Use Standard Orientation For:
 *All 1992 & Newer Ford Models
 *All 1988 & Newer GM Models
 *All Dodge Models with 4 Headlight System
 *All 2003 & Newer Dodge Models
 Use Reverse Orientation For:
 *1994 - 2002 Dodge Models with 2 Headlight System (9004 Bulb)
 *1987 & Older GM Models with 4 Headlight System
 *1987 - 1991 Ford (9004 Bulb)



RIGHT TURN LIGHT WIRES WITH MALE BULLET CONNECTORS



LEFT TURN AND PARK LIGHT WIRES WITH MALE BULLET CONNECTORS



SNOWFLOW CONTROL CONNECTOR #1



BROWN TO BATTERY GROUND

RED TO BATTERY POSITIVE 12V

WHITE/BLACK PUMP SOLENOID POWER

BROWN PUMP SOLENOID GROUND

BLACK/RED TO FUSED KEYED ELECTRICAL SOURCE

HEADLIGHT TOGGLE SWITCH

TO LH VEHICLE HEADLIGHT PLUG

TO RH VEHICLE HEADLIGHT PLUG