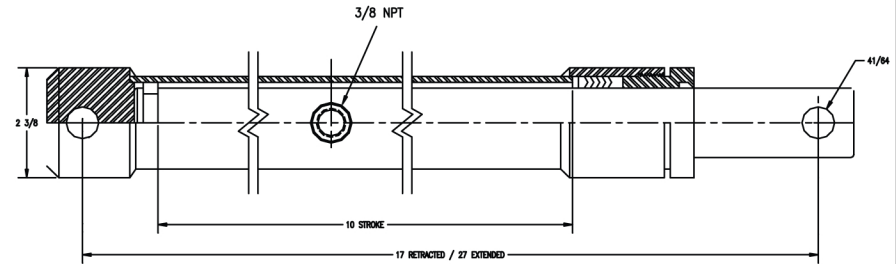


# HYD01603

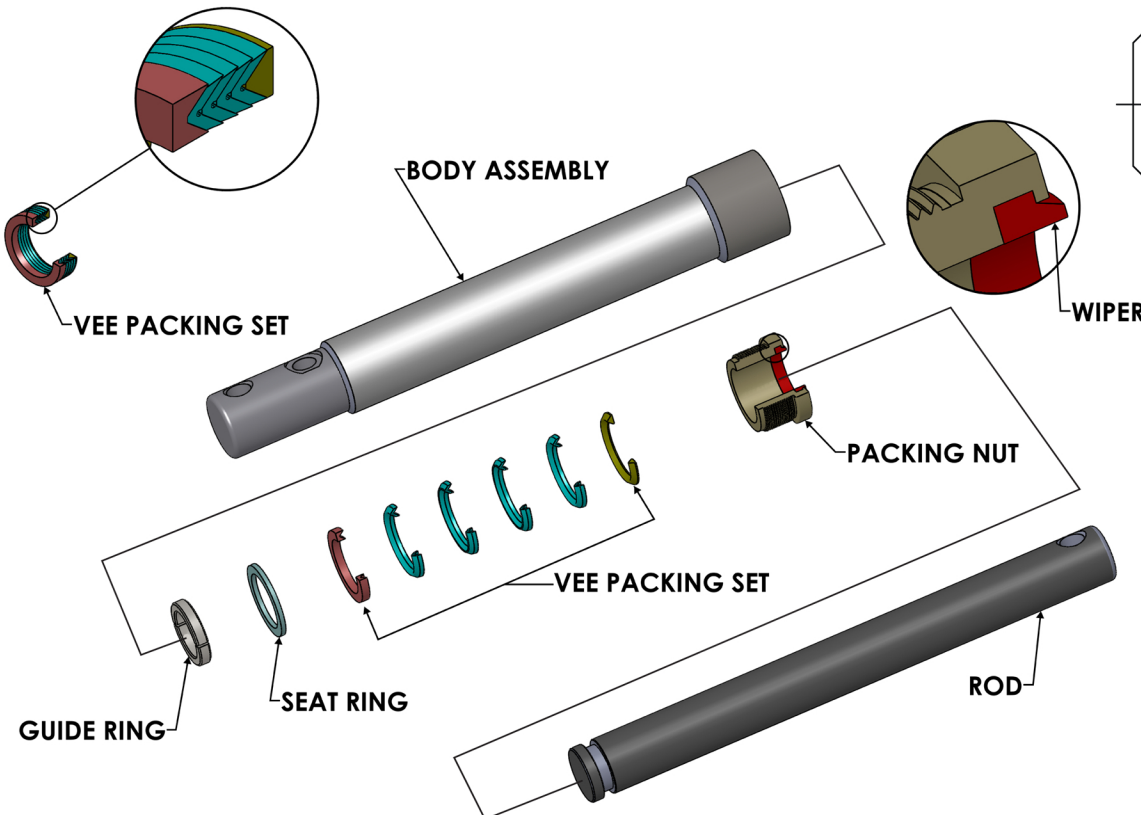
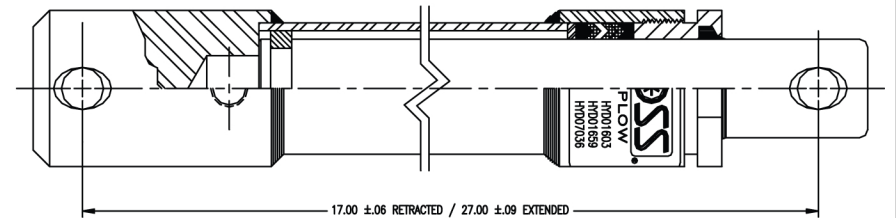
## Angle Cylinder 1998 - 2005 V-Plows

- Push (or Ram) type cylinder (work is performed as the rod extends from the cylinder)
- Vee type packing duck and rubber seal (4 seals, 2 adapters)
- 10" stroke, 1.5" chrome plated (0.001" min) rod
- Powder metal guide rings
- Packing nut maximum torque 30 ft-lbs
- Maximum operating pressure 3000 psi
- Can stop leak by tightening gland nut
- Exploded cylinders should generally not be under warranty

Before 2001 - Raised Central Port Location - Cylinders are Interchangeable



After 2001 - Internal End Port Location - Cylinders are Interchangeable



Service Parts:  
 Seal Kit - HYD01659  
 Gland Nut - HYD07036  
 Guide Rings (Set of two) - HYD01672