

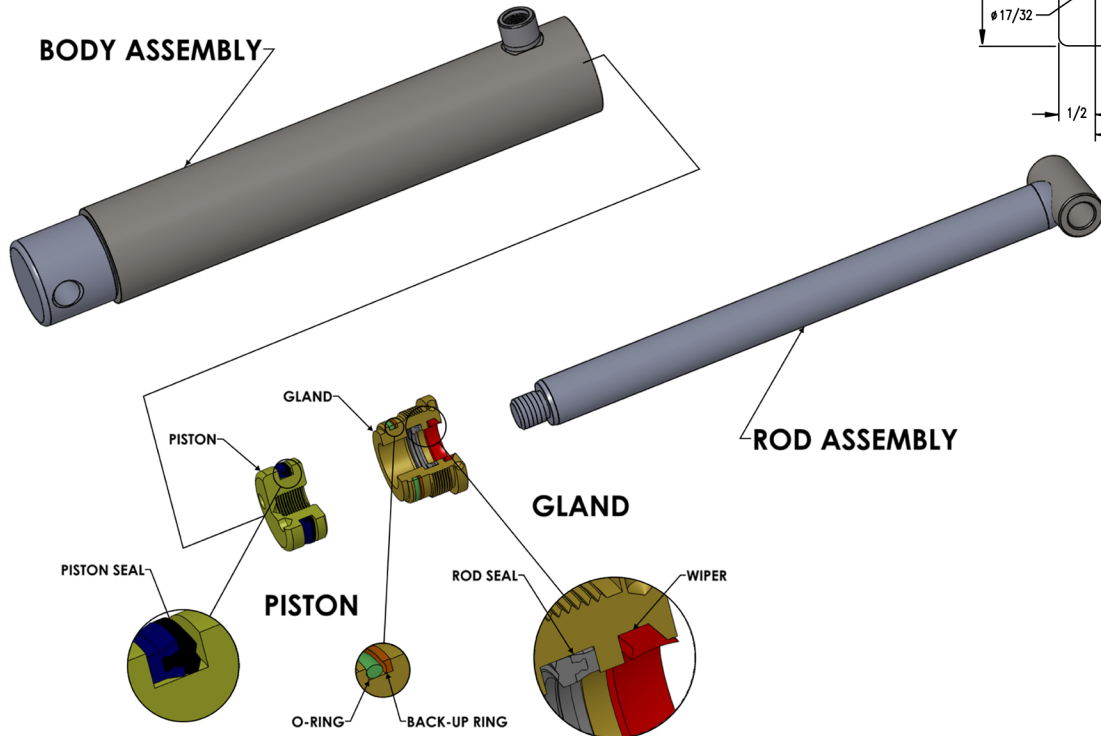
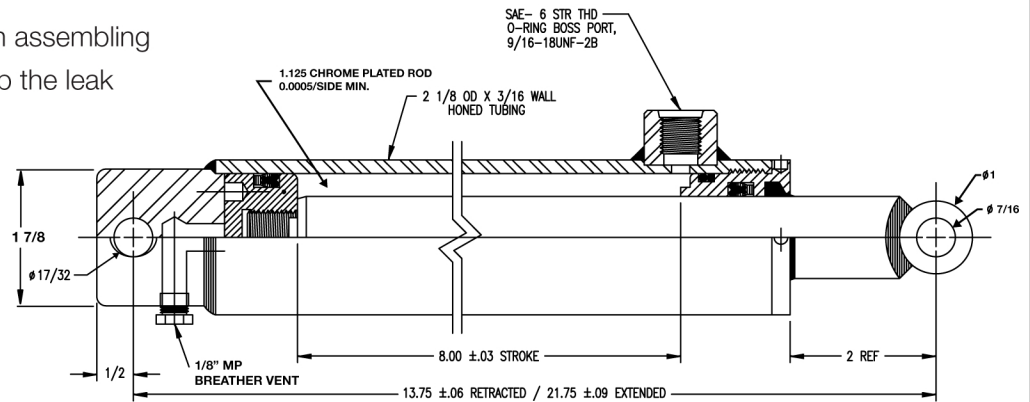
HYD01680

Lift Cylinder, Rapid Tach II

- Pull type cylinder (work is performed as cylinder retracts the rod into the tube)
- Normal resting position - cylinders extended
- 8" Stroke, 1.125" chrome plated rod (0.001" min. plating)
- 1.75" ID x 3/16" wall honed tube
- Double lip seals - polyurethane and Buna-N type to cover all temperature ranges
- Should be stored in the retracted position during off season
- Maximum operating pressure 2500 psi
- Requires a spanner wrench to remove rod gland nut to change seals
- If Piston is removed from the rod apply Lock-Tight to the rod threads when assembling
- If cylinder is leaking must replace packing; tightening gland nut will not stop the leak

Note that the top end of the cylinder is vented; not hydraulically charged.

This allows the plow to move upward when stacking snow without pushing the RAISE button.



Service Parts:
Seal Kit - HYD03727
Gland Nut - HYD07094
Breather - HYD07016