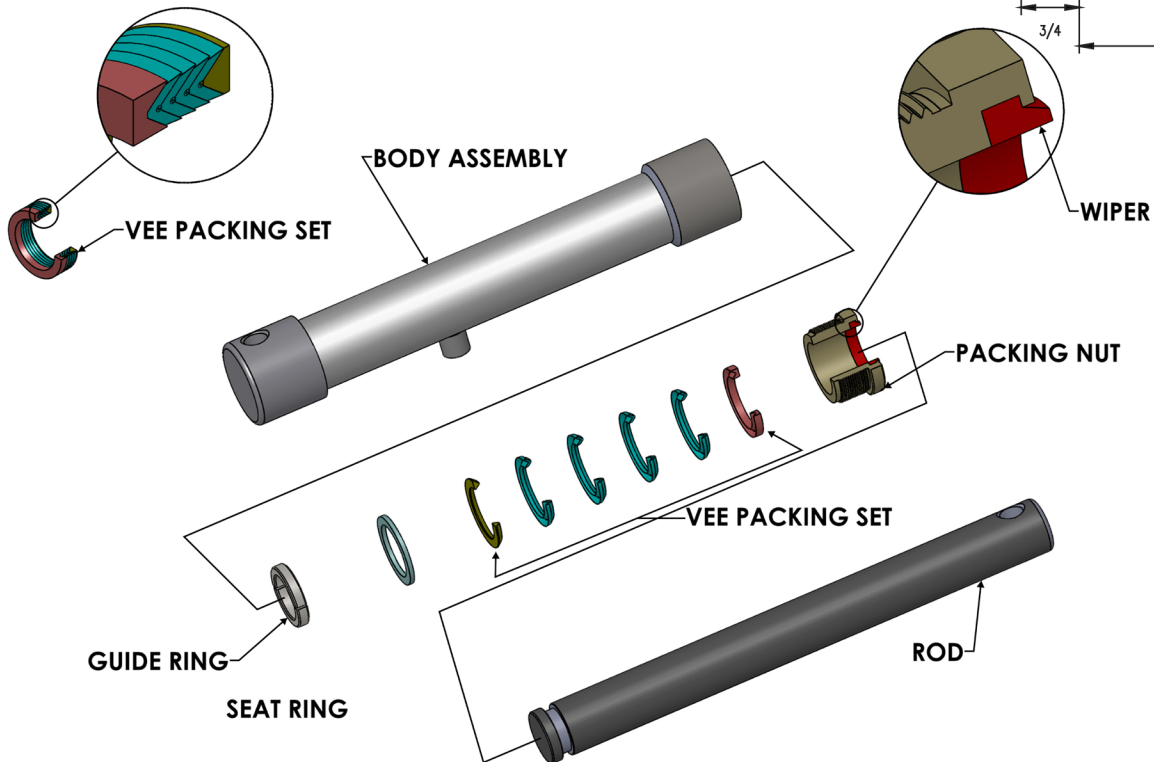
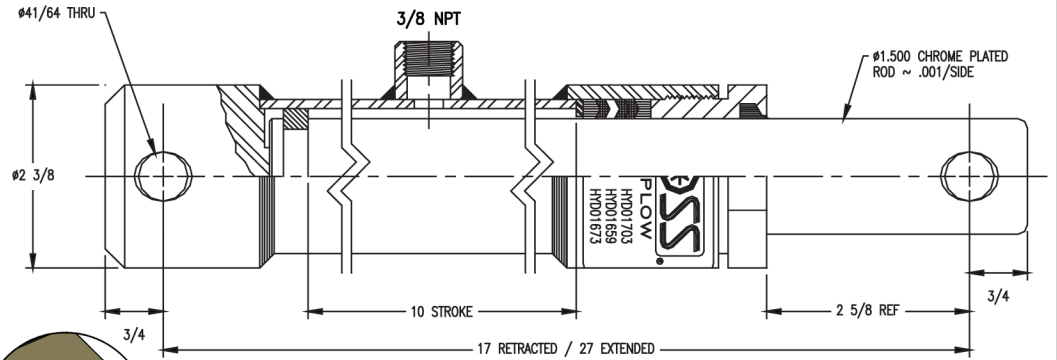


HYD01703

Angle Cylinder, RTII Straight Blade

- Push (or Ram) type cylinder (work is performed as the rod extends from the cylinder)
- Vee type packing duck and rubber seal (4 seals, 2 adapters)
- 10" Stroke, 1.5" chrome plated (0.001" min) rod
- Powder metal guide rings
- Packing nut maximum torque 30 ft-lbs
- Maximum operating pressure 3500 psi
- Can stop leak by tightening gland nut



Service Parts:
 Seal Kit - HYD01659
 Gland Nut - HYD01673
 Guide Rings (One set of Two) - HYD01672