

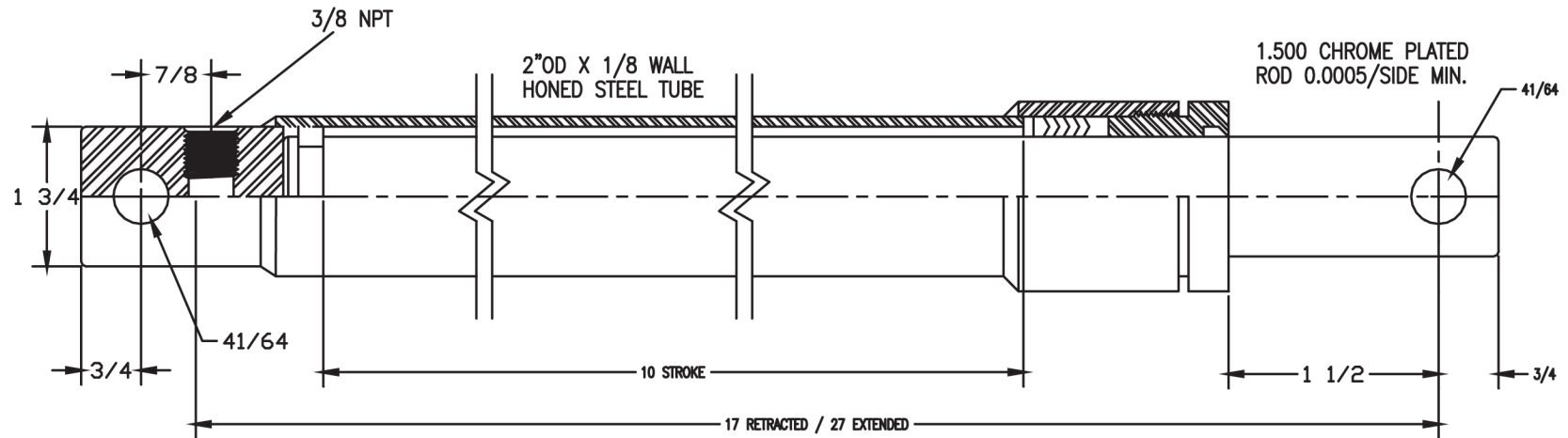


SNOWPLOW

HYD07014

Angle Cylinder 1998 - 2003 RT3 Straight Blade

- Push (or Ram) type cylinder (work is performed as the rod extends from the cylinder)
- Vee type packing duck and rubber seal (4 seals, 2 adapters)
- 10" stroke, 1.5" Nitrotec plated (0.001" min) rod
- Powder metal guide rings
- Valve relieves at 3500 PSI when backdragging
- Packing nut maximum torque 30 ft-lbs
- Maximum operating pressure 3000 psi
- Can stop leak by tightening gland nut
- Exploded cylinders should generally not be under warranty



Service Parts:

Seal Kit - HYD01659

Gland Nut - HYD01673

Retaining Rings (One Set of Two) - HYD01672