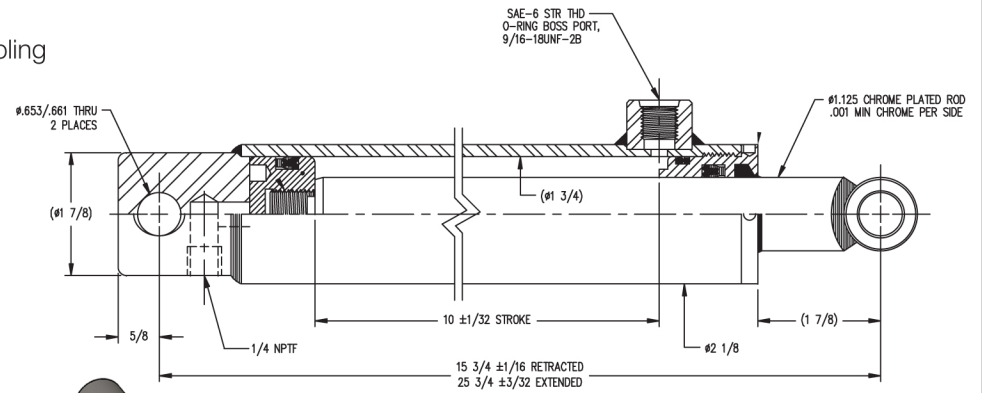
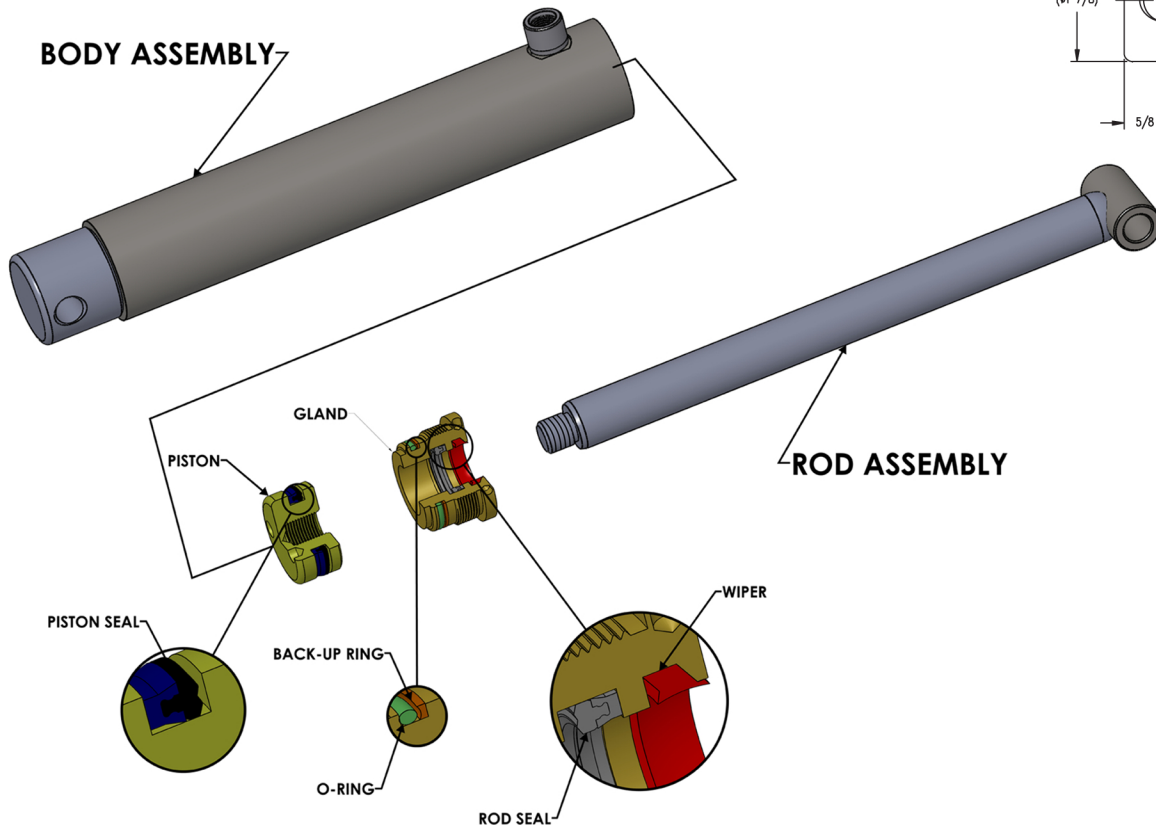


HYD07022

Lift Cylinder (Sport) 2008 & Newer

- 10" Stroke, 15 3/4" retracted length, 1.125" rod
- 1.75" ID x 3/16" wall honed tube
- Pull type cylinder (work is performed as cylinder retracts the rod into the tube)
- Normal resting position - cylinders extended
- Double lip seals - polyurethane and Buna-N type to cover all temperature ranges
- Should be stored in the retracted position during the off season
- Maximum operating pressure 2500 psi
- Requires a spanner wrench to remove rod gland nut to change seals
- If Piston is removed from the rod apply Lock-Tight to the rod threads when assembling
- If Cylinder is leaking must replace packing; tightening gland nut will not stop leak



Service Parts:
Seal Kit - HYD07093
Gland Nut - HYD07094